

JET

4224

WOOD LATHE

**1791254M
230/50/1**

PARTS LIST

Walter Meier (Tool) AG

Tämperlistrasse 5

CH-8117 Fällanden

Switzerland

Phone +41 44 806 47 48

Fax +41 44 806 47 58

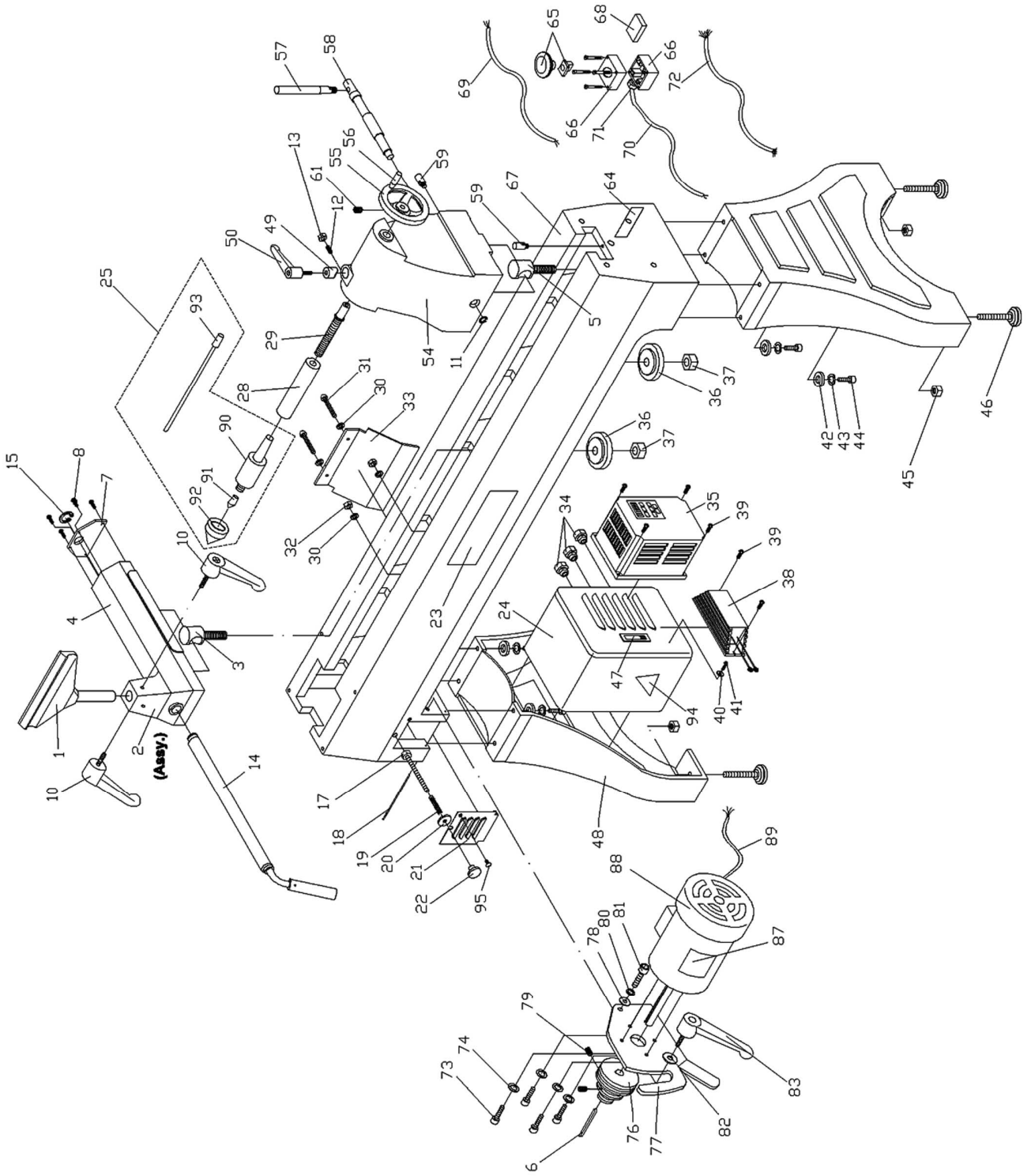
jetinfo.eu@waltermeier.com

www.jettools.com

P-1791254M 2010/06/25



Stand and Bed Assembly

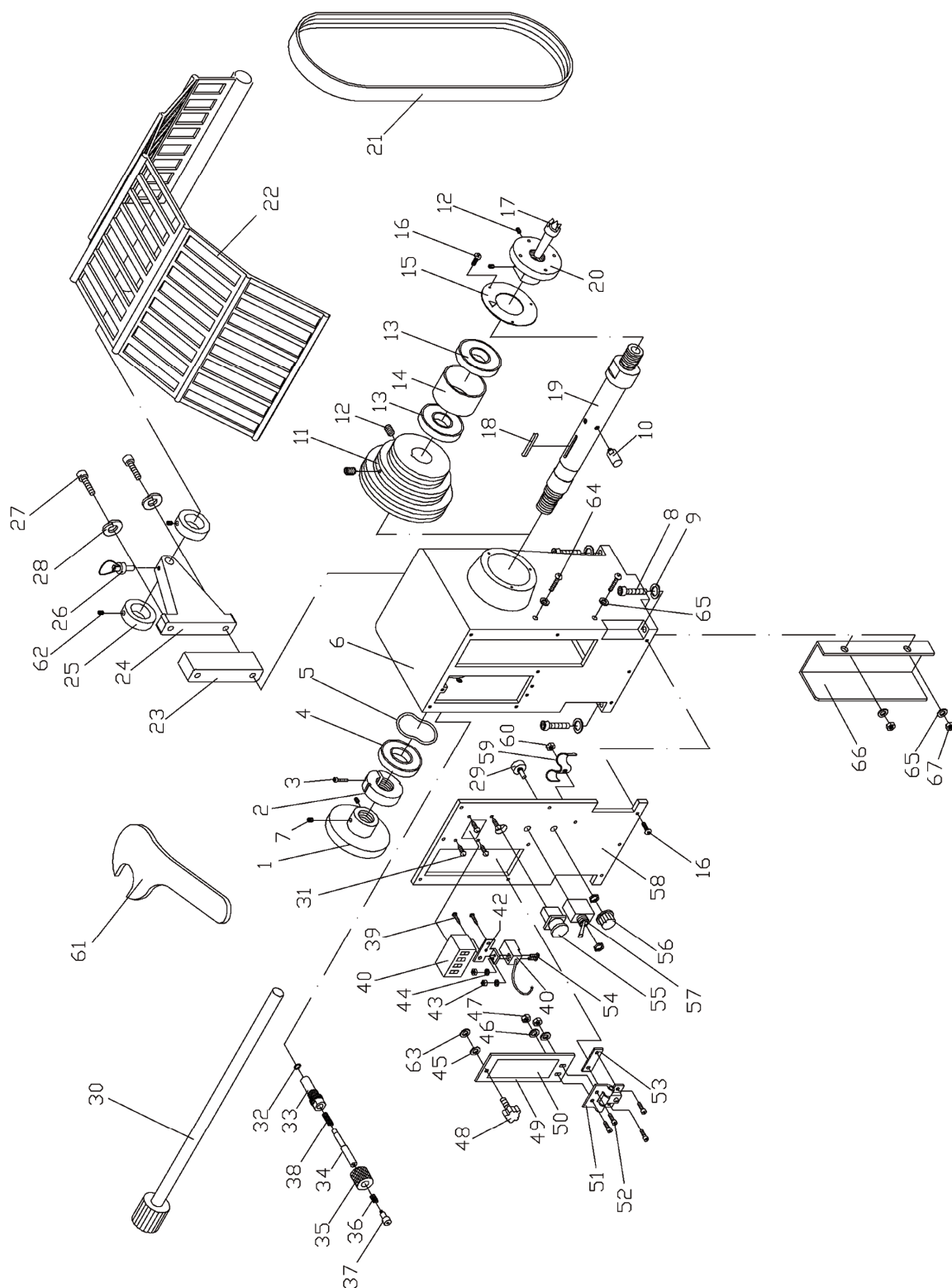


Parts List for the 4224 Woodworking Lathe
Stand and Bed Assembly

Index No.	Part No.	Description	Size	Qty.
1.....	6294742E.....	Tool Support	14"	1
2.....	6294753E.....	Tool Support Assembly (Items 3 thru 10, 14, 15, 36, 37)		1
3.....	6295851	Tool Support Clamp Bolt		1
4.....	6295917E.....	Base Tool Support.....		1
5.....	4224-105	Tailstock Clamp Bolt.....		1
6.....	6294761	Key.....	6x6x45.....	1
7.....	6295702E.....	End Cover		1
8.....	6295703	Socket Cap Screw.....	#10-24x5/8"	4
10	6294763	Tool Support Handle		2
11	6295919	C-Ring		1
12	6295922	Set Screw (special)	1/4"-20x1"	1
13	TS-0561011	Hex Nut	1/4-20	1
14	6295709A.....	Tool Support Rod		1
15	6295710	C-Ring	S-25.....	1
17	6295712	Hex Head Bolt.....	5/16"-18x3"	1
18	JML-24	Pin.....		1
19	JML-26	Spring		1
20	JML-25	Washer	5/16"	1
21	JML-22	Motor Pulley Door.....		1
22	6295717	Knob		1
23	JWL1442-219	Jet Logo.....		1
24	6295719E.....	Inverter Box.....		1
25	6295902	Live Center Assembly		1
28	6295723E.....	Tailstock Spindle		1
29	6295724	Lead Screw		1
30	6295725	Washer	M5.....	4
31	6295726	Socket Head Cap Screw.....	M5x30.....	2
32	6295727	Hex Nut	M5.....	2
33	6295728	Chip Bracket		1
34	JWL1642-196E.....	Strain Relief	PG13.5	3
35	6295730	Inverter		1
36	6294770	Clamp		2
37	TS-0650081	Lock Nut.....	3/4"-10	2
38	6295733	Braking Resistor		1
39	6295734	Round Head Screw	#10-24x5/16"	6
40	6295735	Washer	#10.....	6
41	6295736	Socket Cap Screw.....	#10-24x1/2"	4
42	6295737	Washer	3/8"	8
43	6295738	Lock Washer.....	3/8"	8
44	6295792	Socket Cap Screw.....	3/8"-16x1-1/4"	8
45	6295740	Hex Nut	3/8"-16	4
46	6295741	Leveler.....		4
47	6295742	Door Lock.....		1
48	6295743E.....	Stand		2
49	6295892	Quill Lock Sleeve.....		1
50	6295893	Tailstock Quill Handle		1
54	6295749E.....	Tailstock.....		1
55	6295918	Handwheel		1
56	6295751	Handle		1

Index No.	Part No.	Description	Size	Qty.
57	6295848	Tailstock Handle		1
58	6295849	Tailstock Clamping Shaft		1
59	6295754	Tailstock Stud		2
61	6715013	Set Screw	5/16"-18x3/8"	1
64	6295759E	I.D Label		1
	6294733AE	Remote ON/OFF Switch Assembly (Items 65, 66, 68, 70,71)		1
65	6295760E	Remote Switch		1
66	6295761E	Switch Box Kit		1
67	6295762E	Bed		1
68	6295763	Magnet		1
69	6295764E	Power Cord		1
70	6295765E	Control Cord		1
71	6295914E	Strain Relief	PG11	1
72	6295767	Signal Cord		1
73	6295768	Socket Cap Screw	5/16"-18x1"	4
74	6295769	Lock Washer	5/16"	4
76	6295771	Motor Pulley		1
77	6295772	Motor Assembly Plate		1
78	6295773	Washer	7/16"	1
79	6295774	Set Screw	1/4"-20x3/8"	2
80	6295775	Lock Washer	7/16"	1
81	6295776	Socket Cap Screw	7/16"-14x1-1/4"	1
82	6295777	Large Washer		1
83	6295778A	Look Handle		1
87	6295782E	Motor Label		1
88	6295783E	Motor		1
89	6295784E	Motor Cord		1
90	JWL1642-202	Live Center Body		1
91	JWL1642-237	Live Center Tip		1
92	JWL1642-238	Live Center Cap		1
93	JWL1642-239	Live Center Rod		1
94	3520A-289E	Warning Label		1
95	TS-081C022	Pan Head Screw	#10-24x3/8"	1

Headstock Assembly



Parts List for the 4224 Woodworking Lathe

Headstock Assembly

Index No.	Part No.	Description	Size	Qty.
1.....	6295785E.....	Handwheel.....		1
2.....	6295786.....	Lock Nut.....		1
3.....	6295787.....	Socket Cap Screw.....	M6x25.....	1
4.....	6295788.....	Bearing.....	63208.....	1
5.....	6295789.....	Wave Washer.....		1
6.....	6295790E.....	Headstock.....		1
7.....	6714160.....	Set Screw.....	1/4"-20x1/4".....	2
8.....	6295792.....	Socket Cap Screw.....	3/8"-16x1-1/4".....	4
9.....	6295793.....	Lock Washer.....	3/8".....	4
10.....	6295794.....	Stud.....		4
11.....	6295795.....	Spindle Pulley.....		1
12.....	6295796.....	Set Screw.....	1/4"-20x3/8".....	4
13.....	6295797.....	Bearing.....	6207LB.....	2
14.....	6295798.....	Bushing.....		1
15.....	6295799E.....	Front Plate.....		1
16.....	6295800.....	Hex Socket Round Head Screw.....	#10-24x1/2".....	13
17.....	JWL1642-102.....	Spur Center.....	MT2#.....	1
18.....	6295802.....	Key.....	6x6x50.....	1
19.....	6295803E.....	Head Spindle.....		1
20.....	6294736E.....	Faceplate.....	3".....	1
21.....	6295805.....	Belt.....	V-550J.....	1
22.....	6294747E.....	Guard Assembly.....		1
23.....	6295807E.....	Bracket.....		1
24.....	3064711E.....	Lathe Guard Bracket.....		1
25.....	6143004.....	Retaining Collar.....		2
26.....	JWL1642-168.....	Plunger.....		1
27.....	6295850.....	Socket Cap Screw.....	3/8"-16x3".....	2
28.....	6861300.....	Lock Washer.....	3/8".....	2
29.....	6295915.....	Control Pot Assembly.....		1
30.....	JWL1442-164.....	Knockout Rod.....		1
31.....	6295815.....	Tap Screw.....	M3x10.....	4
32.....	6295816.....	E-Ring.....	E-7.....	1
33.....	6295817.....	Index Bushing.....		1
34.....	6295818.....	Index Shaft.....		1
35.....	6295819.....	Index Knob.....		1
36.....	6295820.....	Spring.....		1
37.....	6295821.....	Bolt.....		1
38.....	6295822.....	Spring.....		1
39.....	6295823.....	Tap Screw.....	1/4"x1/2".....	2
40.....	JWL1642-130E.....	Digital Readout.....		1
42.....	6295826.....	Fixed Plate.....		1
43.....	6295827.....	Nut.....		2
44.....	6295828.....	Washer.....		2
45.....	JWL1642-147.....	O-Ring.....		1
46.....	6860704.....	Lock Washer.....		2
47.....	6508007.....	Nut.....		2
48.....	JWL1642-146E.....	Knob.....		1
49.....	6295833E.....	Door Panel.....		1
50.....	6295834E.....	Speed Label.....		1

Index No.	Part No.	Description	Size	Qty.
51	JWL1642-154	Door Hinge		1
52	6708019	Socket Cap Screw	#8-32x5/8"	4
53	JWL1642-155	Pad		1
54	6295838	Round Head Screw	M3x20	2
55	JWL1642-137	Push /Pull Switch		1
56	JWL1642-143	Control Panel Knob		1
57	JWL1642-141	Fwd/ Rev Switch		1
58	6295842E	Headstock Plate		1
59	6295843	Clamp		1
60	6295844	Nut	#10-24	1
61	6294744E	Faceplate Spanner		1
62	TS-0270011	Socket Cap Screw	5/16"-18x1/4"	2
63	6295923	Clamp Washer		1
64	6295726	Socket Head Cap Screw	M5x30	2
65	6295725	Washer	M5	4
66	4224-266E	Guard		1
67	6295727	Hex Nut	M5	2

4224
1791254M

	colour of strands	Litzenfarben	couleur des cordons
BK	black	schwarz	noir
WH	white	weiß	blanc
BU	blue	blau	bleu
YE	yellow	gelb	jaune
RD	red	rot	rouge
BN	brown	braun	brun
GY	grey	grau	gris
GNYE	green-yellow	grün-gelb	vert-jaune
OG	orange	orange	orange
VT	violet	violett	violet

	meaning of symbol	Bedeutung der Zeichen	interprétation
M	motor	Motor	moteur
S	switch	Schalter	interrupteur
C	condenser	Kondensator	condensateur
E	electronic unit	Elektronik Einheit	unité électronique
F	fuse	Sicherung	fusible
RS	reversing switch	Drehrichtungsschalter	commu. droite/gauche
S	centrifugal switch	Fliehkraftschalter	déclencheur centrifuge
OL	overload cut-off	Überlastschuttschalter	déclencheur surcharge
LS	limit switch	Positionsendschalter	micro

230/50/1

