

JET

GH-1440W

METALWORKING LATHE

321840T

400/50/3

PARTS LIST

Walter Meier (Tool) AG

Tämperlistrasse 5

CH-8117 Fällanden

Switzerland

Phone +41 44 806 47 48

Fax +41 44 806 47 58

jetinfo.eu@waltermeier.com

www.jettools.com

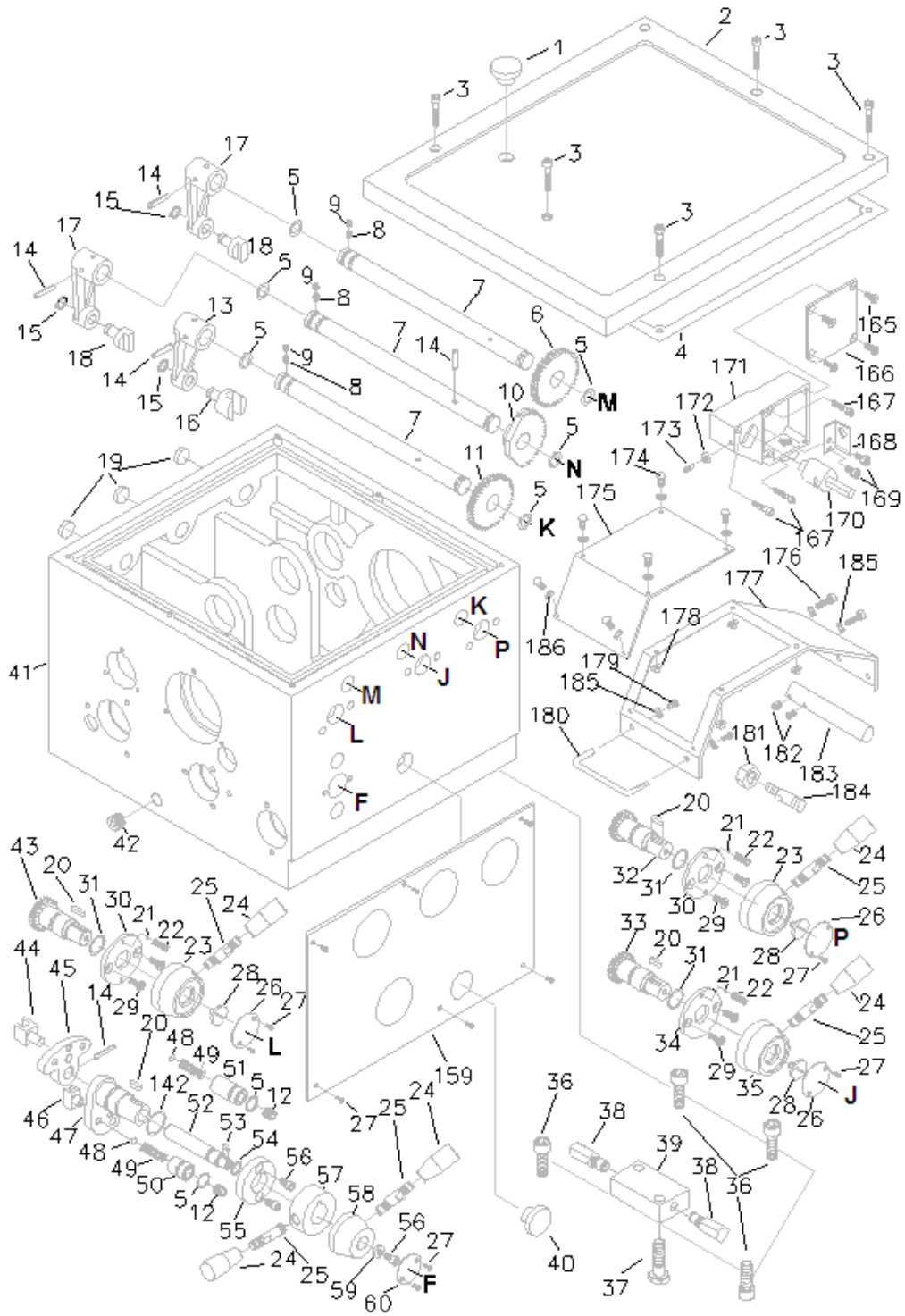


P-321840T 2010/06/25

Table of Contents.

Item.	Contents	Page
1.	Table of contents	2
2.	Headstock Assembly I	3-5
3.	Headstock Assembly II	6-8
4.	Headstock Assembly III	9-11
5.	Gearbox Assembly I	12-13
6.	Gearbox Assembly II	14-16
7.	Gearbox Assembly III	17-19
8.	Apron Assembly I	20-22
9.	Apron Assembly II	23-24
10.	Saddle & Cross Slide Assembly	25-27
11	Top Slide & Tool Post Assembly	28-29
12	Tailstock Assembly	30-31
13	Bed & Shaft Assembly	32-34
14	Stand & Brake Assembly	35-37
15	End Gear Assembly	38-39
16	Follow Rest	40
17	Thread Dial Assembly	41
18	Steady Rest	42-43
19	Coolant & Work Light Assembly	44
20	Electrical Components	45-46
21	Wiring Diagram	47-48

Headstock Assembly I

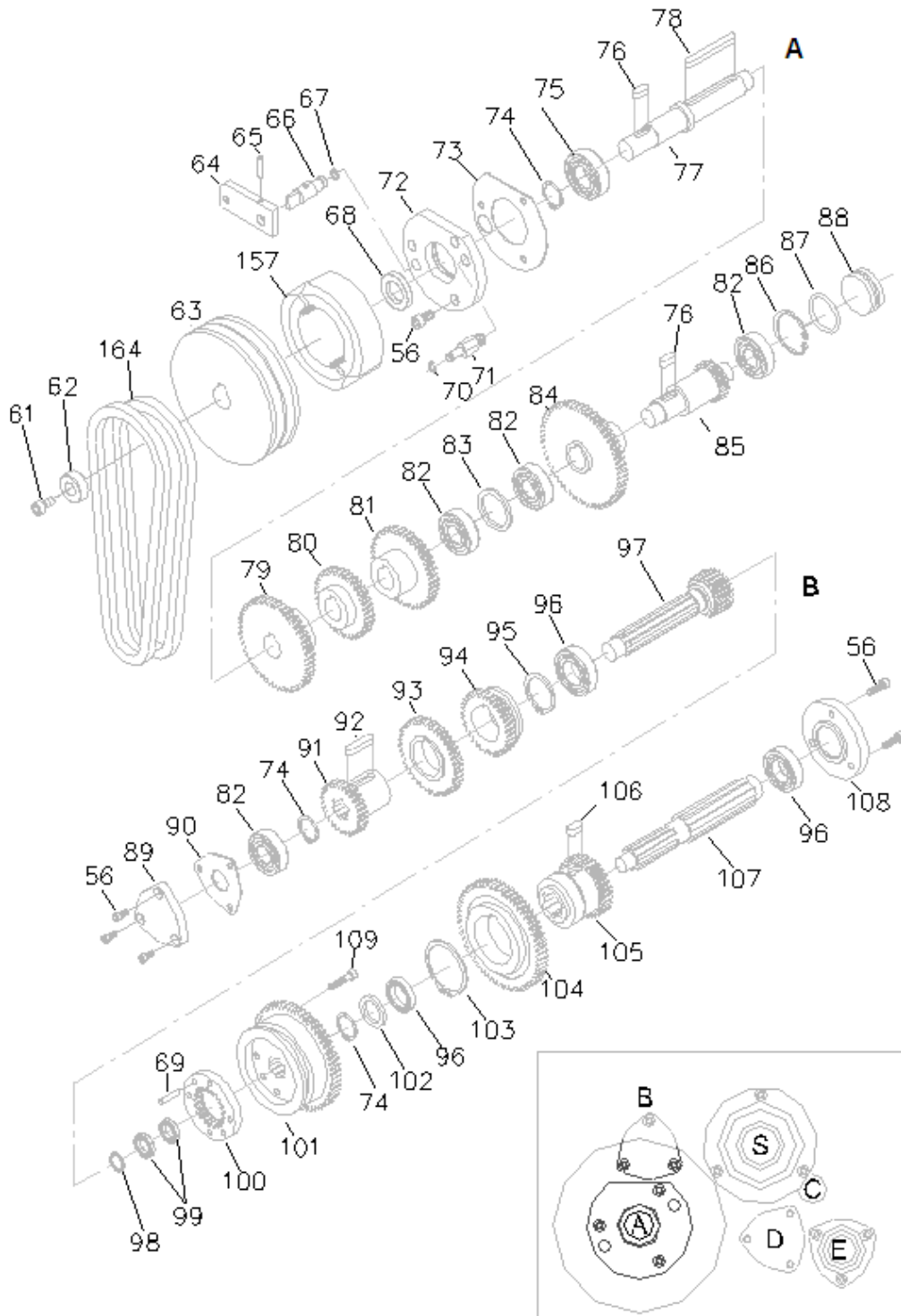


Headstock Assembly I

Index No.	Part No.	Description	Size	Quantity
1.....	GH1340A-04-06.....	Plug.....		1
2.....	GH1440W-04-60.....	Headstock Cover.....		1
3.....	TS-1503081	Hex Socket Cap Screw.....	M6x35.....	6
4.....	GH1440W-04-61.....	Gasket.....		1
5.....	GB3452.1-14x2.65	O-Ring.....	14x2.65.....	8
6.....	GH1440W-04-38.....	Gear.....	38T.....	1
7.....	GH1440W-04-41.....	Shaft.....		3
8.....	GB75-M6x10.....	Set Screw	M6x10.....	3
9.....	GB77-M6x6.....	Set Screw	M6x6.....	3
10.....	GH1440W-04-37.....	Gear.....	48T.....	1
11.....	GH1440W-04-36.....	Gear.....	43T.....	1
12.....	GB77-M12x12.....	Set Screw	M12x12.....	2
13.....	GH1440W-04-43.....	Shift Arm		1
14.....	GB879-5x30.....	Spring Pin	5x30.....	7
15.....	GB894.2-12.....	Retainer Ring.....	12.....	3
16.....	GH1440W-04-45.....	Shift Fork		1
17.....	GH1440W-04-35.....	Shift Arm		2
18.....	GH1440W-04-44.....	Gear Shifter		2
19.....	04-10	Plug.....		3
20.....	GB1096-5x16.....	Key	5x16.....	4
21.....	GB308-SB8	Steel Ball.....	8.....	5
22.....	C6240-20018	Spring.....		5
23.....	GH1440W-04-49.....	Handle Body.....		2
24.....	GB4141.14-BM10x50.....	Handle Cap.....		5
25.....	GH1440W-04-34.....	Handle Lever		5
26.....	C6240-20001	Lever Name Plate		3
27.....	TS-1531012	Pan Head Machine Screw.....	M3x6.....	8
28.....	GH1440W-04-59.....	Screw		3
29.....	TS-1503031	Screw	M6x12.....	6
30.....	GH1440W-04-50.....	Position Plate		2
31.....	GB3452.9-19x2.65	O-Ring.....	19x2.65.....	3
32.....	GH1440W-04-40.....	Gear Shaft	22T.....	1
33.....	GH1440W-04-42.....	Gear Shaft	17T.....	1
34.....	GH1440W-04-51.....	Position Plate		1
35.....	GH1440W-04-48.....	Handle Body.....		1
36.....	TS-1506041	Hex Socket Cap Screw.....	M12x35.....	4
37.....	GB5782-M10x40.....	Alignment Bolt	M10x40.....	2
38.....	GH1440W-04-62.....	Alignment Bolt		2
39.....	GH1440W-04-63.....	Alignment Block		1
40.....	GB1160.1-89.....	Oil Sight Glass.....	20.....	1
41.....	GH1440W-04-01.....	Headstock Casting.....		1

42.....	05-75	Drain Plug.....	1
43.....	GH1440W-04-39.....	Gear Shaft 27T.....	1
44.....	GH1440W-04-47.....	Shaft Fork.....	1
45.....	GH1440W-04-36.....	Shifting Crank.....	1
46.....	GH1440W-04-71.....	Shaft Fork.....	1
47.....	GH1440W-04-56.....	Shifting Crank.....	1
48.....	GB308-SB9.....	Steel Ball..... 9.....	2
49.....	GH1440W-49.....	Spring.....	2
50.....	GH1440W-04-52.....	Shaft.....	1
51.....	GH1440W-04-54.....	Shaft.....	1
52.....	GH1440W-04-53.....	Shaft.....	1
53.....	GB1096-4x10.....	Key 4x10.....	1
54.....	GB3452.9-10.6x2.65.....	O-Ring..... 10.6x2.65.....	1
55.....	GH1440W-04-55.....	Collar.....	1
56.....	TS-1503031.....	Hex Socket Cap Screw..... M6x12.....	18
57.....	GH1440W-04-57.....	Collar.....	1
58.....	GH1440W-04-58.....	Handle Body.....	1
59.....	04-62.....	Washer.....	1
60.....	04-90.....	Lever Name Plate.....	1
142.....	GB3452.9-25x2.65.....	O-Ring..... 25x2.65.....	3
159.....	GH1440S-04-02.....	Label.....	1
165.....	GB819-85.....	Screw..... M5 x10.....	4
166.....	GH1440W-10F-08.....	Electrical Box Cover.....	1
167.....	GB70-85.....	Hex Socket Cap Screw..... M5 x45.....	3
168.....	GH1440W-10F-09.....	Electrical Support.....	1
169.....	GB70-82.....	Hex Socket Cap Screw..... M5 x8.....	2
170.....	GH1440W-10F-03.....	Shaft.....	1
171.....	GH1440W-10F-05.....	Electrical Box.....	1
172.....	GH6170-85.....	Nut..... M6.....	1
173.....	GB79-85.....	Set Screw..... M5 x25.....	1
174.....	GB818-85.....	Screw..... M4x12.....	6
175.....	GH1440W-10F-02.....	Window.....	1
176.....	GB70-85.....	Hex Socket Cap Screw..... M5 x10.....	2
177.....	GH1440W-10F-01.....	Chuck Cover.....	1
178.....	GB170-85.....	Nut..... M4.....	6
179.....	GB818-85.....	Screw..... M5 x10.....	2
180.....	GH1440W-10F-07.....	Knob.....	1
181.....	GH6170-85.....	Nut..... M12.....	1
182.....	GB88-85.....	Set Screw..... M8x8.....	2
183.....	GH1440W-10F-04.....	Spacer.....	1
184.....	GH1440W-10F-06.....	Shaft.....	1
185.....	GB96-12.....	Washer..... 5.....	4
186.....	GB96-12.....	Washer..... 4.....	6

Headstock Assembly II

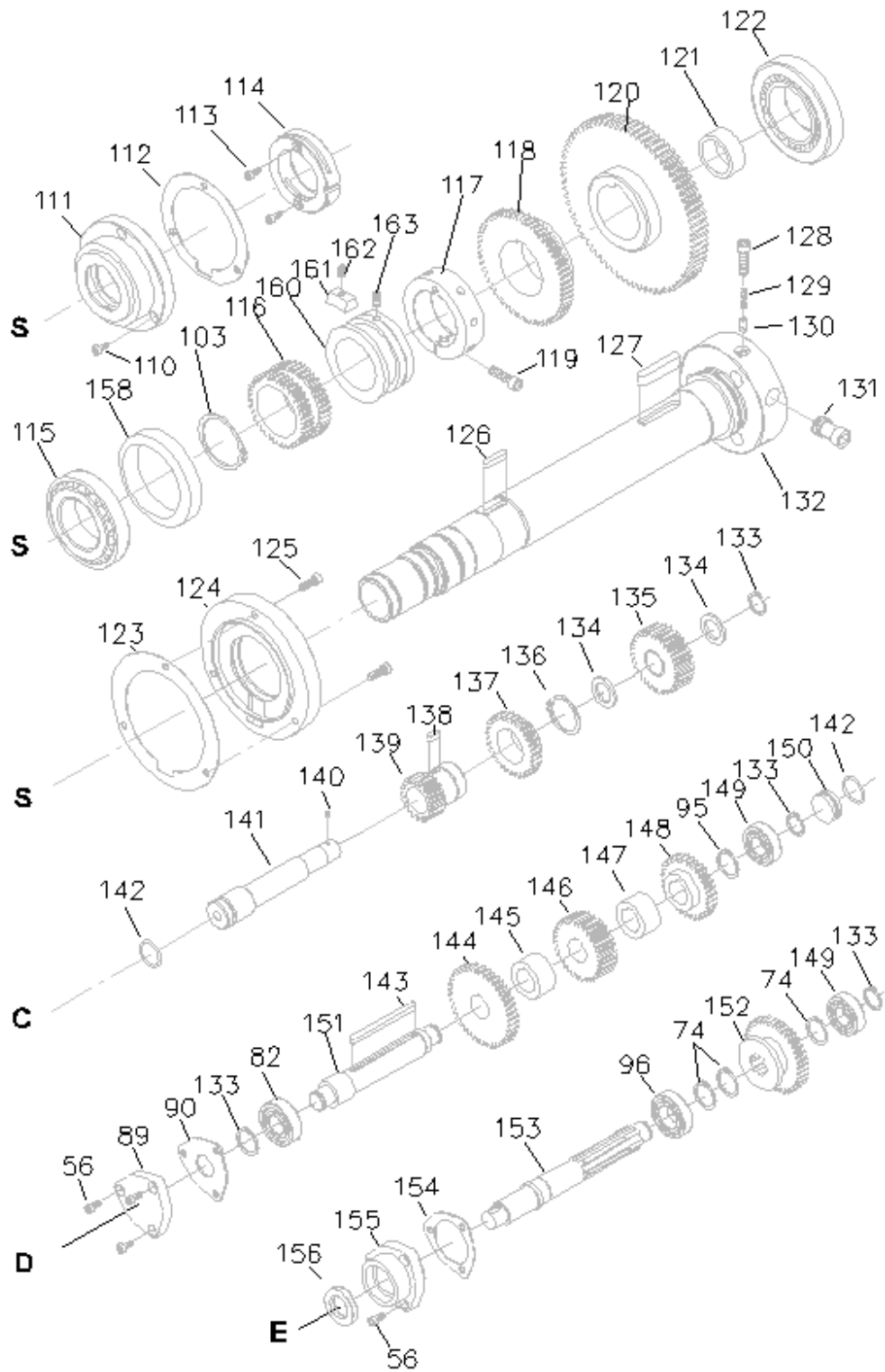


Headstock Assembly II

Index No.	Part No.	Description	Size	Quantity
56.....	TS-150301	Hex Socket Cap Screw.....	M6x12.....	18
61.....	TS-150401	Hex Socket Cap Screw.....	M8x20.....	1
62.....	04-12	Washer.....		1
63.....	04-11.....	Pulley.....		1
64.....	11-10.....	Break Block		1
65.....	GB879-5 x16.....	Pin	5x16.....	1
66.....	11-09.....	Brake Actuator Shaft.....		1
67.....	GB894.2-12.....	Retainer Ring.....	12.....	1
68.....	GB9877.1-SD25x45x10	Seal.....	SD25x45x10	1
69.....	GB117-A6 26.....	Pin	A6x26	2
70.....	GB894.2-8.....	Retainer Ring.....	8.....	1
71.....	11-11	Brake Retainer Stud.....		1
72.....	04-13	Cover.....		1
73.....	04-14	Gasket.....		1
74.....	GB894.2-25.....	Retainer Ring.....	25.....	6
75.....	GB/T276-6205	Ball Bearing	6205/p5	1
76.....	GB1096-8x20.....	Key	8x20.....	2
77.....	GH1440W-04-03.....	Shaft.....		1
78.....	GB1096-8x72.....	Key	8x72.....	1
79.....	GH1440W-04-04.....	Gear	50T.....	1
80.....	GH1440W-04-05.....	Gear	37T.....	1
81.....	GH1440W-04-06.....	Gear	43T.....	1
82.....	GB/T276-6204	Ball Bearing	6204/p5	5
83.....	GH1440W-04-17.....	Washer.....		1
84.....	GH1440W-04-12.....	Gear	57T.....	1
85.....	GH1440W-04-11.....	Gear Shaft	20T.....	1
86.....	GB893.1-47.....	Retainer Ring.....	47.....	1
87.....	GB3452.1-40x2.65	O-Ring.....	40x2.65.....	1
88.....	04-28	Plug		1
89.....	04-53	Bearing Cap.....		2
90.....	04-52	Bearing Cap Gasket.....		2
91.....	GH1440W-04-08.....	Gear	28T.....	1
92.....	GB1096-8x38.....	Key	8x38.....	1
93.....	GH1440W-04-09.....	Gear	41T.....	1
94.....	GH1440W-04-10.....	Gear	34T.....	1
95.....	GB894.2-40.....	Retainer Ring.....	40.....	1
96.....	GB/T276-6005	Ball Bearing	6005/p5	4
97.....	GH1440W-04-07.....	Gear Shaft	21T.....	1
98.....	GB894.2-17.....	Retainer Ring.....	17.....	1
99.....	GB/T276-61803	Ball Bearing	61803/p5	2
100.....	GH1440W-04-15.....	Gear	21T.....	1
101.....	GH1440W-04-14.....	Gear	58T.....	1

102.....	GH1440W-04-16.....	Washer.....	1
103.....	GB894.2-55.....	Retainer Ring.....	55.....	2
104.....	GH1440W-04-19.....	Gear.....	59T.....	1
105.....	GH1440W-04-18.....	Gear.....	31T.....	1
106.....	GB1096-10x18.....	Key.....	10x18.....	1
107.....	GH1440W-04-13.....	Spline Shaft.....	1
108.....	GH1440W-04-24.....	Cover.....	1
109.....	TS-150308.....	Hex Socket Cap Screw.....	M6x35.....	4
157.....	11-15.....	Brake Shoe Assembly.....	1
164.....	VB-A74.....	V-Belt(for GH-1440W-3).....	2

Headstock Assembly III

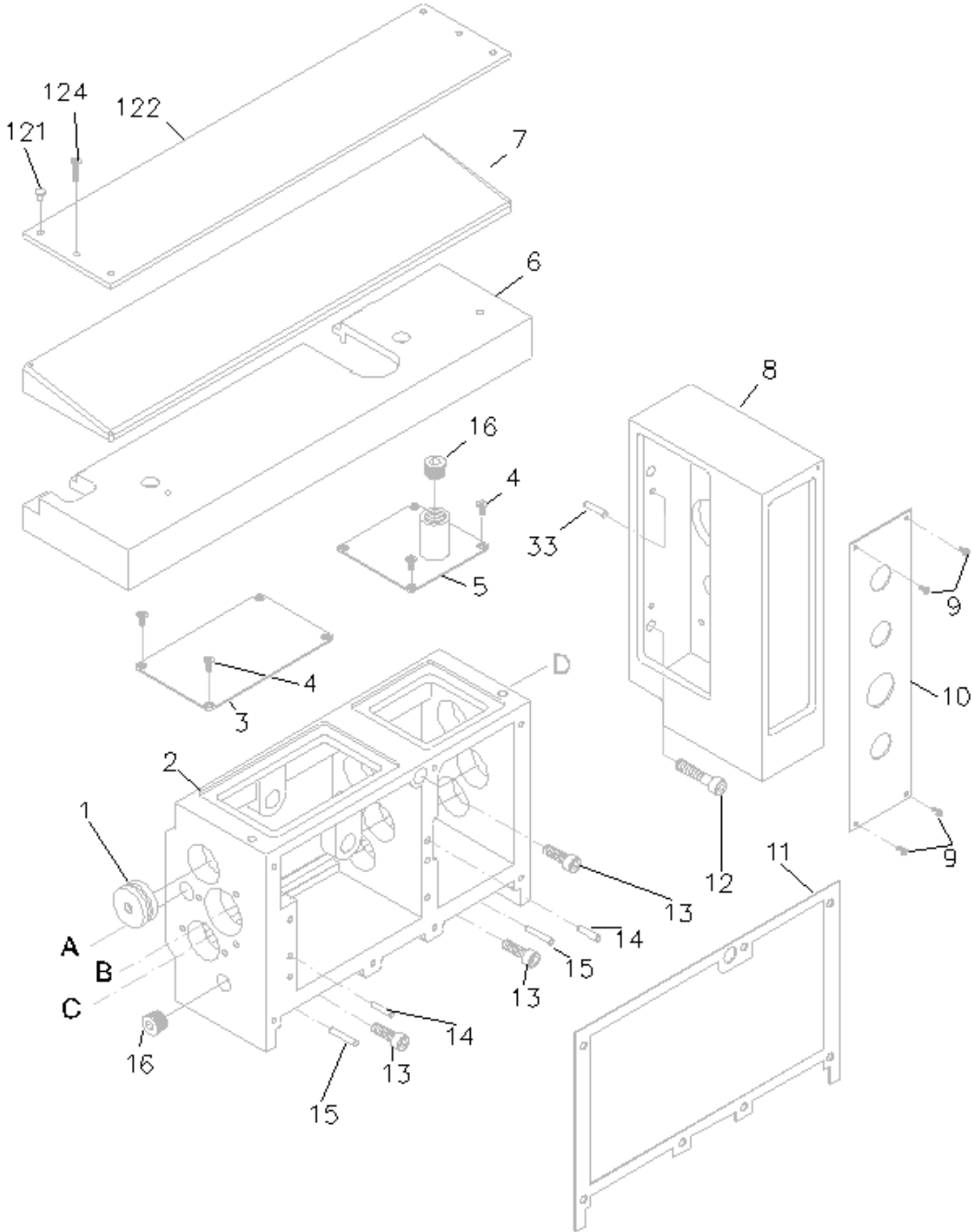


Headstock Assembly III

Index No.	Part No.	Description	Size	Quantity
56.....	TS-150303	Hex Socket Cap Screw.....	M6x12.....	18
74.....	GB894.2-25.....	Retainer Ring.....	25.....	6
82.....	GB/T276-6204	Ball Bearing	6204/p5	5
89.....	04-53	Bearing Cap.....		2
90.....	04-52	Bearing Cap Gasket.....		2
95.....	GB894.2-40.....	Retainer Ring.....	40.....	2
96.....	GB/T276-6005	Ball Bearing	6005/p5	4
102.....	GH1440W-04-16.....	Washer.....		1
110.....	TS-1503041	Hex Socket Cap Screw.....	M6x16.....	3
111.....	GH1440W-04-29.....	Cover.....		1
112.....	04-60	Gasket.....		1
113.....	TS-1502031	Hex Socket Cap Screw.....	M5x12.....	2
114.....	GH1440W-04-31.....	Nut.....		1
115.....	GB/T297-32011.....	Tapered Roller Bearing	32011/p5.....	1
116.....	GH1440W-04-30.....	Gear	38T.....	1
117.....	GH1440W-04-27.....	Lock Collar.....		1
118.....	GH1440W-04-21.....	Gear	59T.....	1
119.....	TS-1504061	Hex Socket Cap Screw.....	M8x30.....	1
120.....	GH1440W-04-23.....	Gear	87T.....	1
121.....	GH1440W-04-25.....	Collar.....		1
122.....	GB/T297-30212	Tapered Roller Bearing	30212/p5	1
123.....	GH1440W-04-32.....	Gasket.....		1
124.....	GH1440W-04-28.....	Cover.....		1
125.....	TS-1503051	Hex Socket Cap Screw.....	M6x20.....	3
126.....	GB1096-6x30.....	Key	6x30.....	1
127.....	GB1096-10x55.....	Key	10x55.....	1
128.....	TS-1504031	Hex Socket Cap Screw.....	M8x16.....	3
129.....	04-31/1	Spring.....		3
130.....	04-86	Cam lock Set Pin.....		3
131.....	04-85	Camlock.....		3
132.....	GH1440W-04-22.....	Spindle		1
133.....	GB894.2-20.....	Retainer Ring.....	20.....	4
134.....	04-36	Spacer.....		2
135.....	04-35	Gear	32T.....	1
136.....	GB894.2-37.....	Retainer Ring.....	37.....	1
137.....	04-54	Gear	32T.....	1
138.....	GB1096-5x16	Key	5x16.....	1
139.....	04-55	Gear	21T.....	1
140.....	TS-1523041	Set Screw	M6x12.....	1
141.....	04-37	Shaft.....		1
142.....	GB3452.9-25x2.65	O-Ring.....	25x2.65.....	3
143.....	04-47/1	Key	6x90.....	1

144.....	04-46	Gear	42T.....	1
145.....	04-45	Collar.....		1
146.....	04-44	Gear	32T.....	1
147.....	04-39	Collar.....		1
148.....	04-41	Gear	32T.....	1
149.....	GB/T276-6004	Ball Bearing	6004/p5	2
150.....	GH1440W-04-33.....	Plug		1
151.....	04-47	Shaft (D).....		1
152.....	04-43	Gear	38T.....	1
153.....	04-42	Spline Shaft(E)		1
154.....	04-48	Housing Gasket.....		1
155.....	04-49	Housing.....		1
156.....	GB9877.1-SD25x40x7	Spacer.....	SD25x40x7.....	1
158.....	GH1440W-04-65.....	Collar.....		1
160.....	GH1440W-04-66.....	Balance Space		1
161.....	GH1440W-04-67.....	Balance Block.....		1
162.....	TS-1523041	Set Screw	M6x12.....	1
163.....	TS-1524031	Set Screw	M6x12.....	1

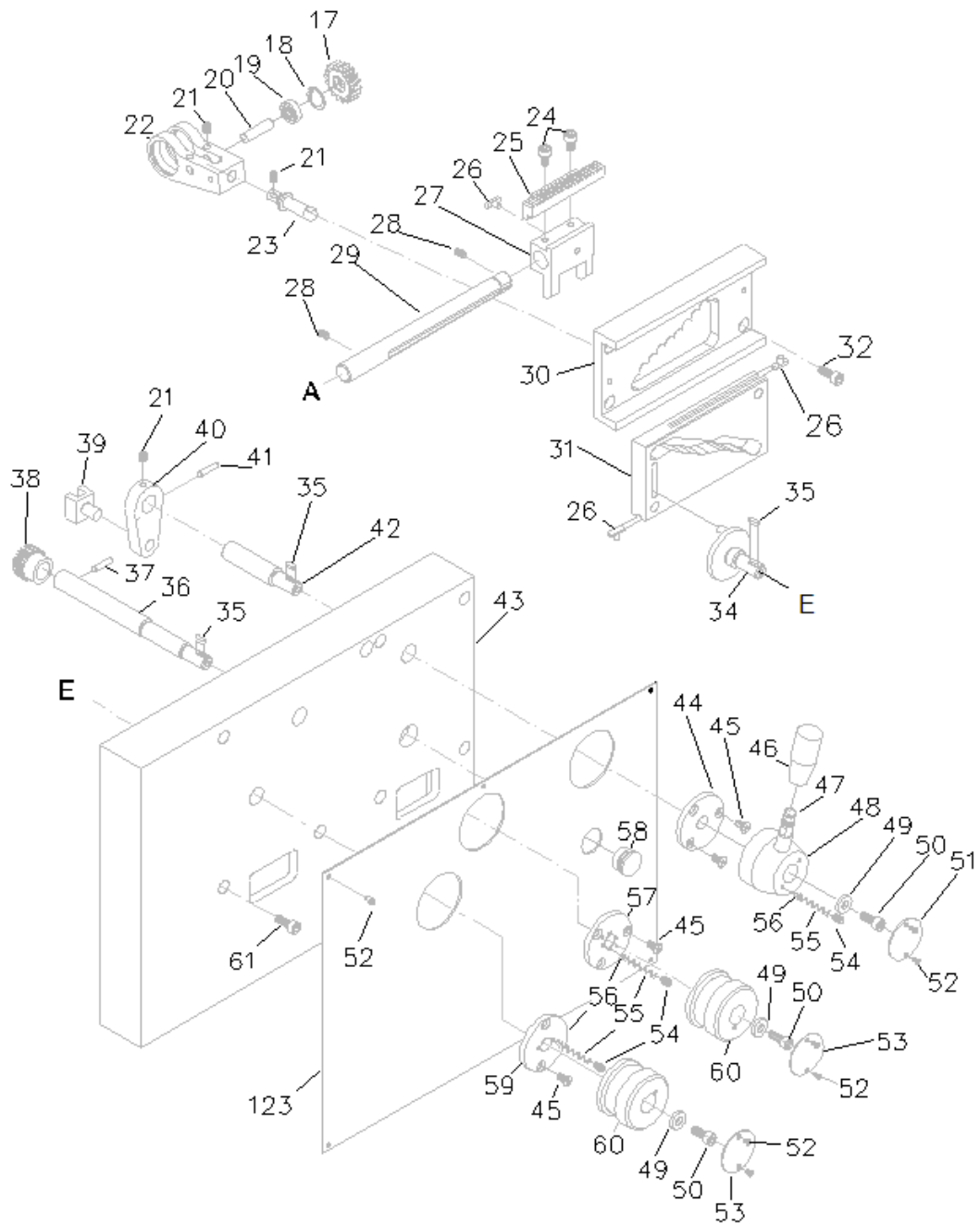
Gearbox Assembly I



Gearbox Assembly I

Index No.	Part No.	Description	Size	Quantity
1.....	05-73	Plug		1
2.....	GH1440W-05-06.....	Gearbox Casting		1
3.....	05-07	Front Cover.....		1
4.....	TS-1532032	Flat Head Machine Screw	M4x10.....	8
5.....	GH1440W-05-26.....	Oil Cover(14•).....		1
GH1340W-05-26.....	Oil Cover(13•).....		1
6.....	GH1440W-05-07/1	Cover(14•)		1
GH1340W-05-07/1	Cover(13•)		1
7.....	GH1440W-05-08.....	Top Cover		1
8.....	GH1440W-05-09.....	Bracket.....		1
9.....	TS-1531012	Pan Head Machine Screw.....	M3x6.....	4
10.....	GH1440W-05-11E	Electrical Plate.....		1
11.....	05-61	Gearbox Gasket		1
12.....	TS-1504081	Hex Socket Cap Screw.....	M8x40.....	2
13.....	TS-1504051	Hex Socket Cap Screw.....	M8x25.....	3
14.....	GH1440W-14	Pin	5x20	2
15.....	GH1440W-15N	Pin (for serial#009W038W and lower)	5x28	2
GH1440W-15	Taper Pin(for serial#011W039W and higher).....	5x35.....	2
16.....	05-75	Plug		2
33.....	GB118-A8x30.....	Pin	A8x30	2
121.....	GB867-2x4.....	Rivet.....	2x4	4
122.....	GH1440S-05-12/1	Speed Chart.....		1
124.....	TS-1531012	Pan Head Machine Screw.....	M3x25.....	2

Gearbox Assembly II

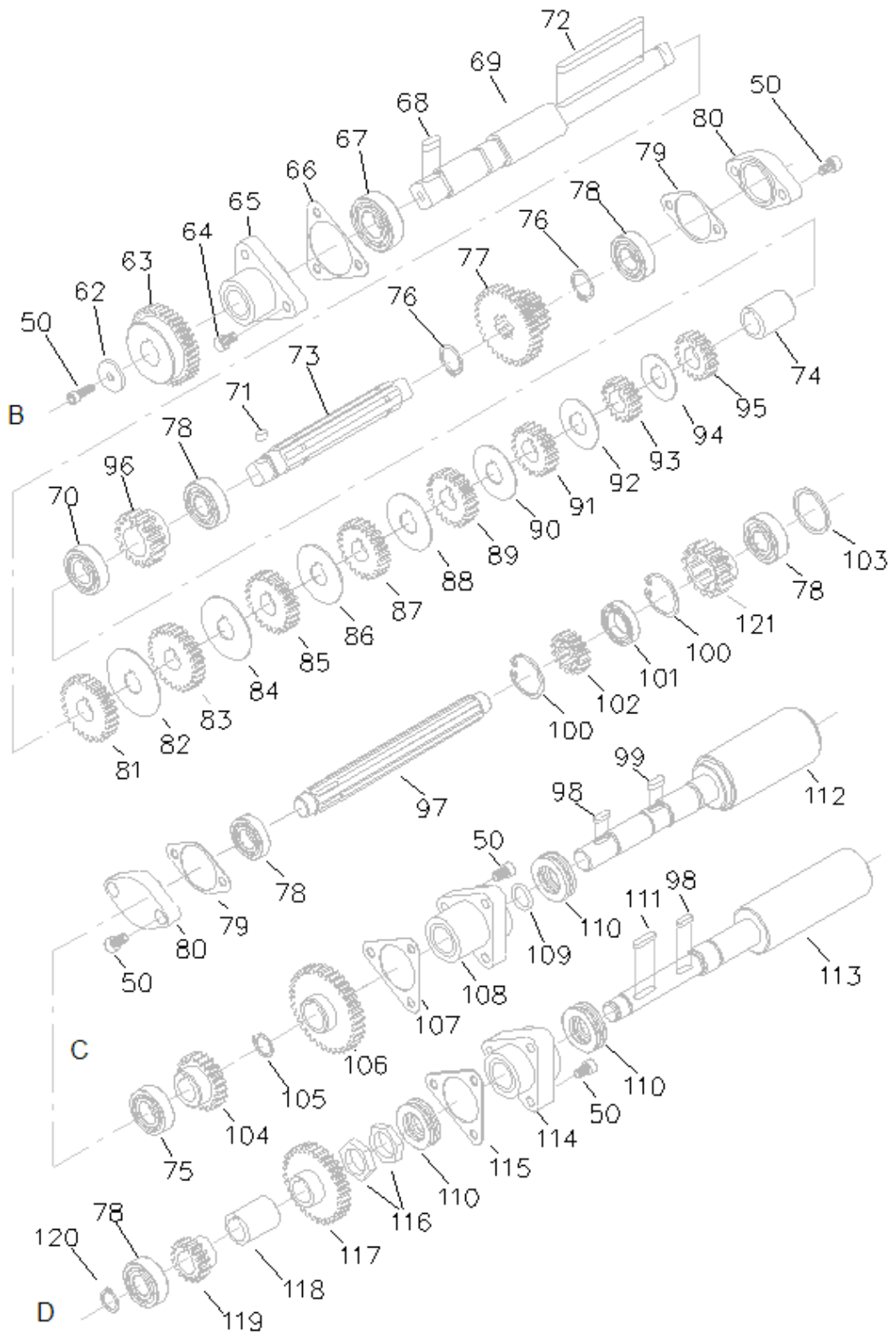


Gearbox Assembly I I

Index No.	Part No.	Description	Size	Quantity
17.....	05-50	Gear	18T.....	1
18.....	GH893.1-19.....	Retainer Ring.....	19	1
19.....	GB/T276-6198	Bearing.....	6198/p5	1
20.....	05-51	Shaft.....		1
21.....	TS-1523021	Set Screw	M6x8.....	4
22.....	05-03	Shifter		1
23.....	05-02	Shaft.....		1
24.....	TS-1503051	Hex Socket Cap Screw.....	M6x20.....	2
25.....	05-13	Rack		1
26.....	05-01	Shift Key.....		3
27.....	05-12	Shift Fork		1
28.....	TS-1523021	Set Screw	M6x8.....	2
29.....	05-15	Shaft.....		1
30.....	05-05	Locating Plate.....		1
31.....	05-04	Control Plate.....		1
32.....	TS-1503031	Hex Socket Cap Screw.....	M6x12.....	4
33.....	GB118-A8x30.....	Pin	A8x30	2
34.....	05-60	Shift Hub		1
35.....	GB1096-4x10.....	Key	4x10	3
36.....	GH1440W-05-02.....	Shaft.....		1
37.....	GB879-5x20.....	Pin	5x20	1
38.....	05-14	Gear	26T.....	1
39.....	05-55	Shift Fork		1
40.....	05-56	Shift Lever.....		1
41.....	GB879-5x20.....	Pin	5x20	1
42.....	GH1440W-05-03.....	Shaft.....		1
43.....	GH1440W-05-01.....	Cover.....		1
44.....	05-58	Locating Disk		1
45.....	GB819-M5x10.....	Flat Head Machine Screw	M5x10.....	8
46.....	GB4141.14-BM10X50.....	Knob.....		1
47.....	GH1440W-05-15.....	Handle Shaft.....		1
48.....	GH14440W-05-14.....	Shift Hub		1
49.....	05-08	Washer.....		3
50.....	TS-1503041	Hex Socket Cap Screw.....	M6x16.....	14
51.....	04-90	Indicator Disk.....		1
52.....	TS-1531012	Pan Head Machine Screw.....	M3x6.....	6
53.....	05-70	Indicator Disk.....		2
54.....	TS-1524011.....	Set Screw	M8x8.....	4
55.....	05-72	Spring.....		4
56.....	GB308-SB6.5.....	Steel Ball.....	6.5.....	4
57.....	05-10	Locating Disk.....		1

58.....	GH1440W-05-27.....	Oil Sight	1
59.....	05-59	Locating Disk	1
60.....	GH1440W-05-13.....	Shift Hub	2
61.....	TS-150308	Hex Socket Cap Screw..... M6x35.....	7
123.....	GH1440W-05-10-3E.....	Name plate (3 Phase).....	1

Gearbox Assembly III

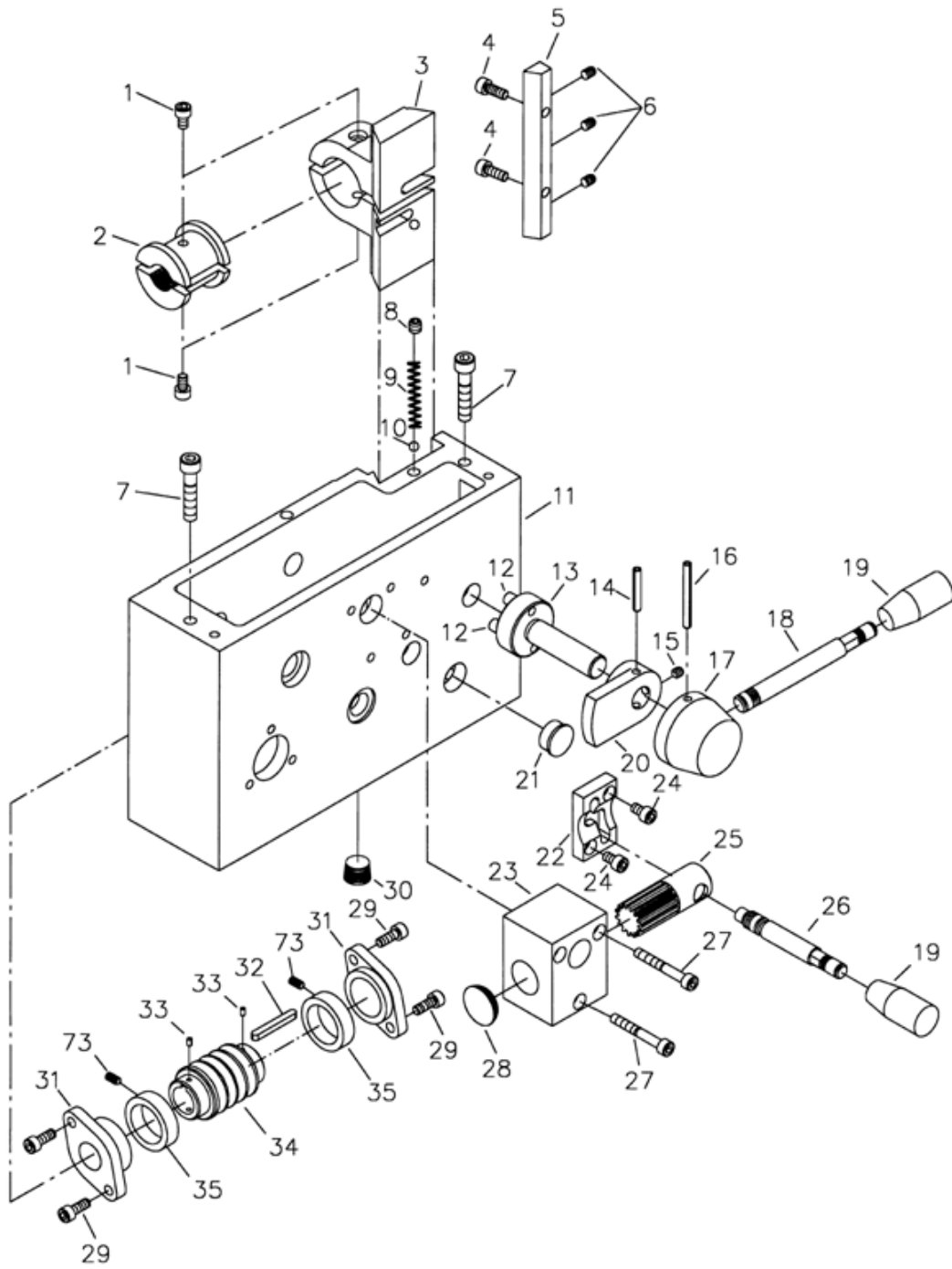


Gearbox Assembly III

Index No.	Part No.	Description	Size	Quantity
50.....	TS-1503041	Hex Socket Cap Screw.....	M6x16.....	14
62.....	05-42	Washer.....		1
63.....	15-03/1E.....	Gear.....	60T.....	1
64.....	TS-1503051	Hex Socket Cap Screw.....	M6x20.....	3
65.....	05-39	Flange.....		1
66.....	05-38	Gasket.....		1
67.....	GB/T276-6004	Ball Bearing	6004/P5.....	1
68.....	GB1096-5x14.....	Key.....	5x14.....	1
69.....	GH1340A-05-40/1E.....	Shaft.....		1
70.....	GB/T276-6002	Ball Bearing	6002/p5.....	1
71.....	GB1096-5x8.....	Key.....	5x8.....	1
72.....	GB1096-5x75.....	Key.....	5x75.....	1
73.....	GH1340A-05-27/1	Shaft.....		1
74.....	05-67	Shaft Collar.....		1
75.....	GB/T276-6003	Ball Bearing	6003/p5.....	2
76.....	GB894.1-20.....	Retainer Ring.....	20.....	3
77.....	05-21	Gear.....	16T/32T.....	1
78.....	GB/T276-6202	Ball Bearing	6202/p5.....	4
79.....	05-48	Gasket.....		2
80.....	05-47	Flange.....		2
81.....	05-35	Gear.....	28T.....	1
82.....	GH1440W-05-19.....	Washer.....		1
83.....	05-34	Gear.....	26T.....	1
84.....	GH1440W-05-20.....	Washer.....		1
85.....	05-33	Gear.....	24T.....	1
86.....	GH1440W-05-21.....	Washer.....		1
87.....	05-32	Gear.....	23T.....	1
88.....	GH1440W-05-22.....	Washer.....		1
89.....	05-31	Gear.....	22T.....	1
90.....	GH1440S-05-23.....	Washer.....		1
91.....	05-30	Gear.....	20T.....	1
92.....	GH1440W-05-24.....	Washer.....		1
93.....	05-29	Gear.....	18T.....	1
94.....	GH1440W-05-25.....	Washer.....		1
95.....	05-28	Gear.....	16T.....	1
96.....	GH1340A-05-36/1E.....	Gear.....	26T.....	1
97.....	GH1340A-05-52/1E.....	Spline Shaft		1
98.....	GB1096-5x14.....	Key.....	5x14.....	2
99.....	GB1096-6x14.....	Key.....	6x14.....	1
100.....	GB893.1-32.....	Retainer Ring.....	32.....	2
101.....	GB/T276-61804	Bearing.....	61804/p5.....	2

102.....	05-49	Gear	16T.....	1
103.....	GH1340A-05-66.....	Washer.....		1
104.....	05-25	Gear	21T.....	1
105.....	GB896-15	Retainer Ring.....	15	1
106.....	05-19	Gear	36T.....	1
107.....	05-53	Gasket.....		1
108.....	05-17	Flange		1
109.....	GB3452.1-15x2.65	O-Ring.....	15x2.65.....	1
110.....	GB301-8104.....	Ball Bearing	8104.....	3
111	GB1096-5x20.....	Key	5x20	1
112.....	GH1440W-05-04.....	Shaft.....		1
113.....	GH1440E-05-01E	Shaft.....		1
114.....	05-18	Flange		1
115.....	05-53	Gasket.....		1
116.....	05-20	Nut.....		2
117	05-22	Gear	32T.....	1
118.....	05-24	Collar.....		1
119.....	05-26	Gear	16T.....	1
120.....	GB894.1-15.....	Retainer Ring.....		1
121.....	GH1340A-05-37/1E.....	Gear	16T.....	1

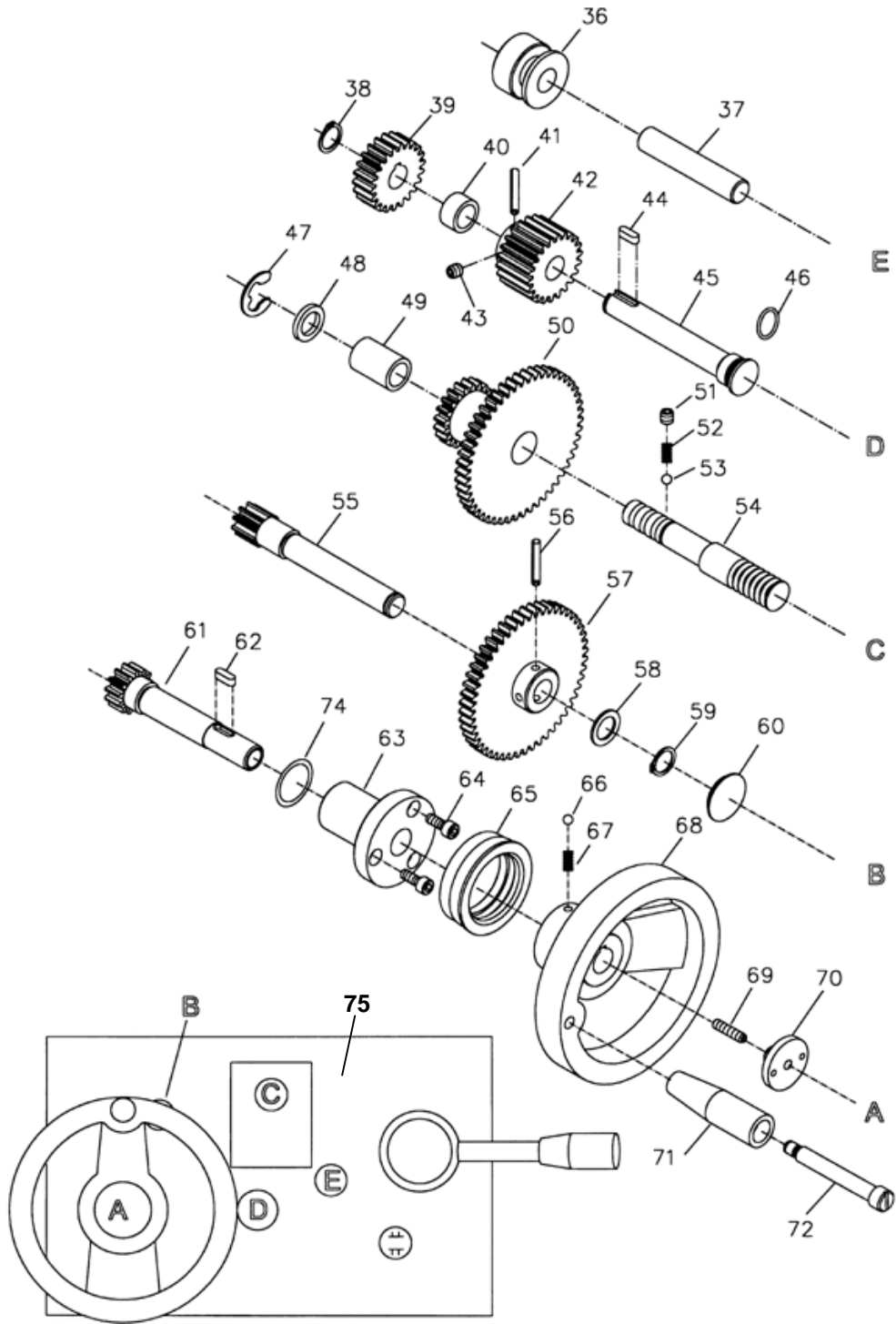
Apron Assembly I



Apron Assembly I

Index No.	Part No.	Description	Size	Quantity
1.....	TS-1503021	Hex Socket Cap Screw.....	M6x10.....	2
2.....	06-37/1E.....	Half Nut.....	Metric.....	1
3.....	06-36	Bracket.....		1
4.....	TS-1503041	Hex Socket Cap Screw.....	M6x16.....	2
5.....	06-33	Gib.....		1
6.....	TS-1523031	Set Screw	M6x10.....	3
7.....	TS-1504081	Hex Socket Cap Screw.....	M8x40.....	2
8.....	TS-1524011.....	Set Screw	M8x8.....	1
9.....	06-39	Spring.....		1
10.....	GB308-SB6.....	Steel Ball.....	6.....	1
11.....	06-01	Casting.....		1
12.....	06-42-1	Pin		2
13.....	06-42	Half Nut Cam.....		1
14.....	GB879-5x35.....	Pin	5x35.....	1
15.....	TS-152301	Set Screw	M6x6.....	1
16.....	GB879-5x50.....	Pin	5x50.....	1
17.....	GH1440W-06-09.....	Hub.....		1
18.....	GH1440W-06-04.....	Handle Shaft.....		1
19.....	GB4141.14-BM10x50.....	Knob.....		2
20.....	06-40	Safety Catch.....		1
21.....	GB1160-12.....	Sight Glass	12.....	1
22.....	06-04	Bracket.....		1
23.....	06-16	Block		1
24.....	TS-1503031	Hex Socket Cap Screw.....	M6x12.....	2
25.....	GH1440W-06-07.....	Spline Shaft		1
26.....	GH1440W-06-08.....	Handle Shaft.....		1
27.....	TS-1503101	Hex Socket Cap Screw.....	M6x45.....	3
28.....	06-02	Plug.....		1
29.....	TS-1503041	Hex Socket Cap Screw.....	M6x16.....	4
30.....	06-35	Drain Plug.....		1
31.....	06-34	Flange		2
32.....	GB1096-5x56.....	Key	5x56.....	1
33.....	GB879-3x5.....	Pin	3x5.....	2
34.....	06-27	Worm.....		1
35.....	06-50	Collar.....		2
73.....	TS-1522031	Set Screw	M5x10.....	2
75.....	GH1440W-06-01.....	Apron Label		1
76.....	TS-1531012	Pan Head Screw	M3x6.....	8
77.....	GH1440W-06-03.....	Thread dial Label		1
.....	GHW-AP-CA.....	Apron Assembly Complete		
79.....	GB77- M6x45.....	Screw	M6x45.....	1
80.....	GB6170-M6.....	Nut.....	M6.....	1

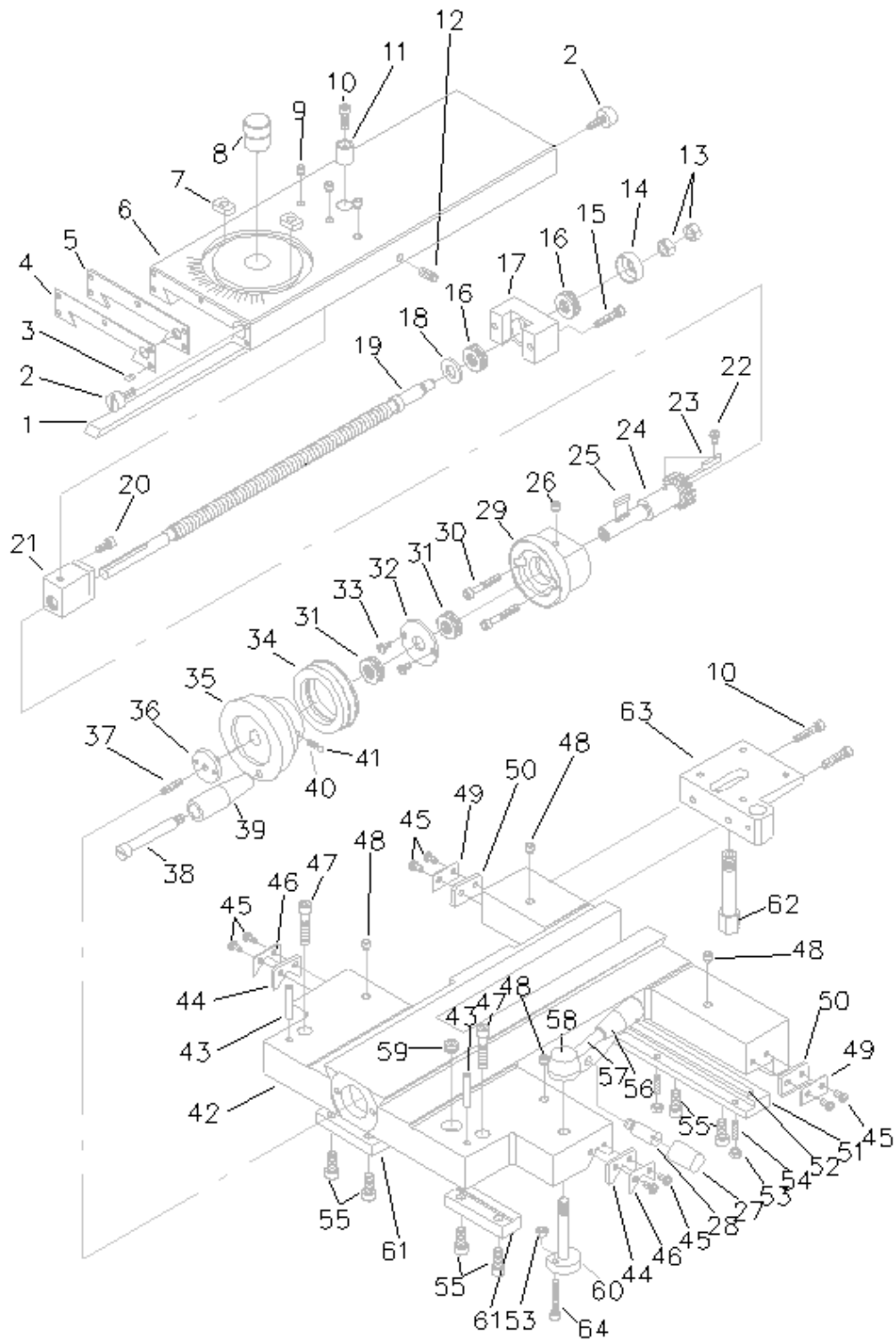
Apron Assembly II



Apron Assembly II

Index No.	Part No.	Description	Size	Quantity
36.....	06-44	Bushing.....		1
37.....	06-43	Shaft.....		1
38.....	GB894.1-16.....	Retainer Ring.....	16.....	1
39.....	06-28	Gear.....	22T.....	1
40.....	06-26	Collar.....		1
41.....	GB879-5x35.....	Pin.....	5x35.....	1
42.....	06-20	Gear.....	22T.....	1
43.....	TS-1523011.....	Set Screw.....	M6x6.....	1
44.....	GB1096-5x15.....	Key.....	5x15.....	1
45.....	06-19	Shaft.....		1
46.....	GB3452.1-17x1.8.....	O-Ring.....	17x1.8.....	1
47.....	GB896-12.....	Retainer Ring.....	12.....	1
48.....	06-10	Bushing.....		1
49.....	06-15-1.....	Collar.....		1
50.....	06-15	Cluster Gear.....	50T/20T.....	1
51.....	TS-1524011.....	Set Screw.....	M8x8.....	1
52.....	06-14	Spring.....		1
53.....	GB308-SB6.....	Steel Ball.....	6.....	1
54.....	06-13	Shaft.....		1
55.....	06-06	Shaft.....		1
56.....	GB879-5x30.....	Pin.....	5x30.....	1
57.....	06-08	Gear.....	50T.....	1
58.....	06-10	Bushing.....		1
59.....	GB894.1-16.....	Retainer Ring.....	16.....	1
60.....	06-11.....	Plug.....		1
61.....	06-07	Shaft.....		1
62.....	GB1096-4x15.....	Key.....	4x15.....	1
63.....	GH1440W-06-03E.....	Wheel Flange.....		1
64.....	TS-1503041.....	Hex Socket Cap Screw.....	M6x16.....	3
65.....	GH1440W-06-01E.....	Indicator Ring.....		1
66.....	GB308- SB6.....	Steel Ball.....	6.....	2
67.....	06-32	Spring.....		2
68.....	GH1440W-06-06.....	Wheel.....		1
69.....	TS-1523071.....	Set Screw.....	M6x25.....	1
70.....	06-30	Wheel Stud.....		1
71.....	GH1440W-06-11.....	Handle Sleeve.....		1
72.....	GH1440W-06-10.....	Handle Lever.....		1
73.....	TS-1522031.....	Set Screw.....	M5x10.....	2
74.....	GB3452.1-25.8x3.55.....	O-Ring.....	25.8x3.55.....	1

Saddle and Cross Slide Assembly

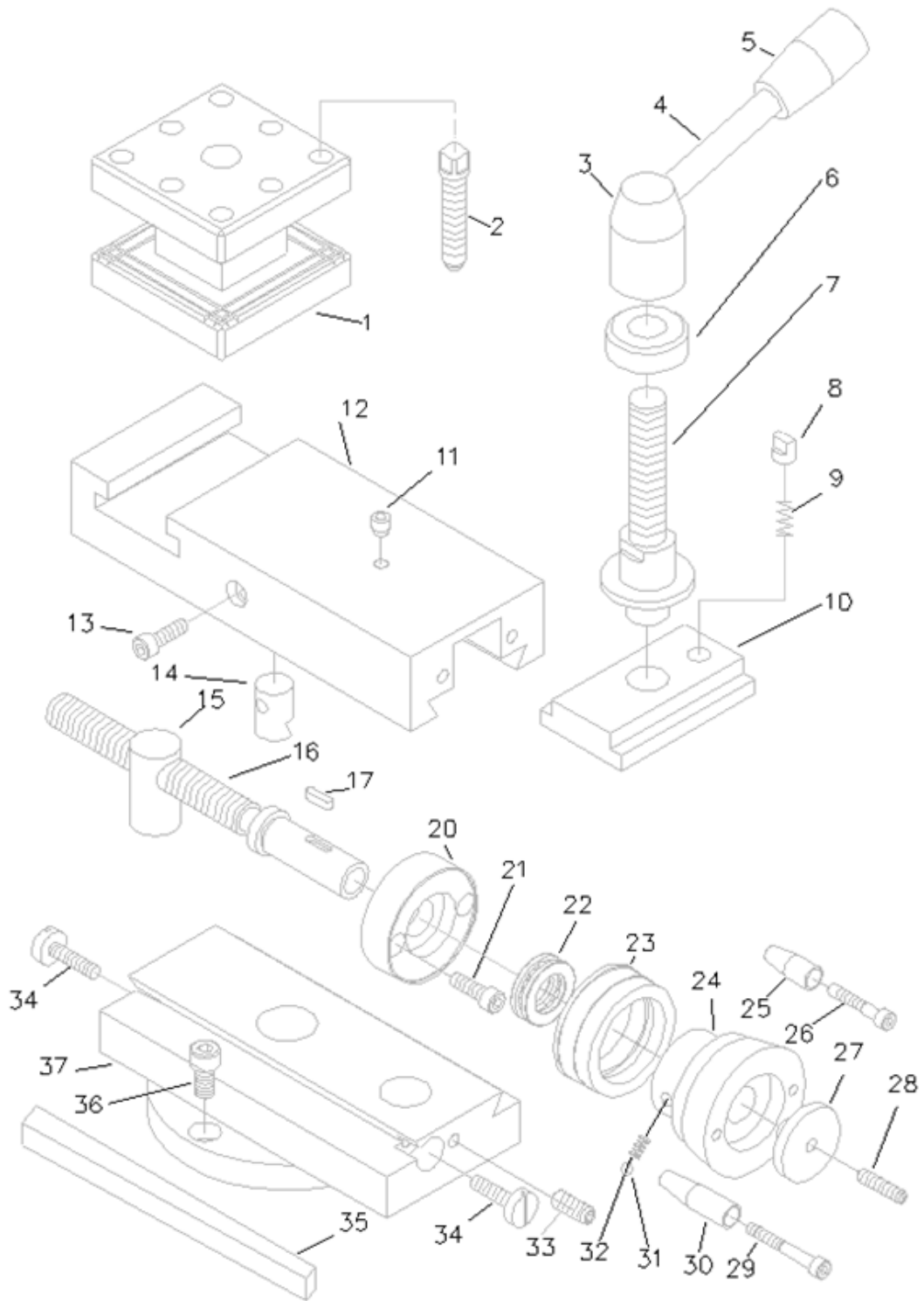


Saddle and Cross Slide Assembly

Index No.	Part No.	Description	Size	Quantity
1	GH1440W-07-04	Gib		1
2	07-28	Gib Adjusting Screw		2
3	GB818-M5x10	Pan Head Machine Screw	M5x10	5
4	GH1440W-07-12	Plate		1
5	GH1440W-07-11	Plate Wiper		1
6	GH1440W-07-02	Cross Slide Body		1
7	07-07	Clamp Nut		2
8	07-08	Hub		1
9	GB1155-8	Oiler	8	3
10	TS-1503051	Hex Socket Cap Screw	M6x20	1
11	07-05	Sleeve		1
12	TS-1524011	Set Screw	M8x8	1
13	GB6172- M10	Hex Nut	M10	2
14	07-02	Bearing Cap		1
15	TS-1503071	Hex Socket Cap Screw	M6x30	2
16	GB301-8101	Thrust Bearing	8101	2
17	07-03	Block		1
18	07-25	Spacer		1
19	GH1440W-07-02E	Leadscrew	Zoll	1
		Leadscrew	Metrisch	1
20	TS-1503031	Hex Socket Cap Screw	M6x12	1
21	GH1440W-07-03E	Crossfeed Nut		1
22	GB819-M3x5	Pan head Machine Screw	M3x5	1
23	07-21	Key	5X25	1
24	GH1440W-07-14	Gear Shaft		1
25	GB1096-4x20	Key	4x20	2
26	GB1155-6	Oiler	6	1
27	GH-1440W-07-11E	Shaft		1
28	GH-1440W-07-10E	Rubber Cover		1
29	GH1440W-07-08E	Housing		1
30	TS-1503091	Hex Socket Cap Screw	M6x40	2
31	GB301-8102	Thrust Bearing	8102	2
32	07-18	Washer		1
33	TS-2285102	Pan head Machine Screw	M5x10	2
34	GH-1440W-07-04E	Index Ring		1
35	GH1440W-07-18	Compound Handle		1
36	07-15	Cover Screw		1
37	TS-1523071	Set Screw	M6x25	1
38	GH1440W-07-17	Handle Lever		1

39.....	GH1440W-07-26.....	Handle Sleeve.....	1
40.....	GB2089-0.7x5x9.....	Spring..... 0.7x5x9.....	2
41.....	GB308-SB6.....	Steel Ball..... 6.....	2
42.....	GH1440W-07-01.....	Saddle.....	1
43.....	GB117-6x40.....	Pin..... 6x40.....	2
44.....	GH1440W-07-03.....	Plate Wiper.....	2
45.....	TS-2285102.....	Pan Head Machine Screw..... M5x10.....	8
46.....	GH1440W-07-07.....	Plate.....	2
47.....	TS-1515015.....	Hex Socket Cap Screw..... M8x40.....	2
48.....	GB1155-79.....	Oiler.....	4
49.....	GH1440W-07-05.....	Plate.....	2
50.....	GH1440W-07-06.....	Plate Wiper.....	2
51.....	07-24.....	Rear Pressure Plate.....	1
52.....	07-23.....	Gib.....	1
53.....	GB6170-M6.....	Lock Nut..... M6.....	4
54.....	TS-1523061.....	Set Screw..... M6x20.....	4
55.....	TS-1504041.....	Hex Socket Cap Screw..... M8x20.....	6
56.....	GB4141.14-M10x50.....	Handle Knob..... M10x50.....	1
57.....	GH1440W-07-27.....	Handle Shaft.....	1
58.....	GH1440W-07-25.....	Hub.....	1
59.....	05-75.....	Oil Cap.....	1
60.....	GH1440W-07-08.....	Lock Stud.....	1
61.....	GH1440W-07-09.....	Front Pressure Plate.....	2
62.....	14-04.....	Connected Tube.....	1
63.....	14-03.....	Lamp Bracket.....	1
GHW-CFLA.....	Cross Feed Lead Screw &Nut Assy (includes#19-21).....	
GHW-CFLAE.....	Cross Feed Lead Screw &Nut Assy (includes#19-21).....	
GH1440W-CFDA.....	Cross Feed Dial Assy (includes 22-26,29-41).....	
64.....	TS-1504041.....	Hex Socket Cap Screw..... M6x35.....	1

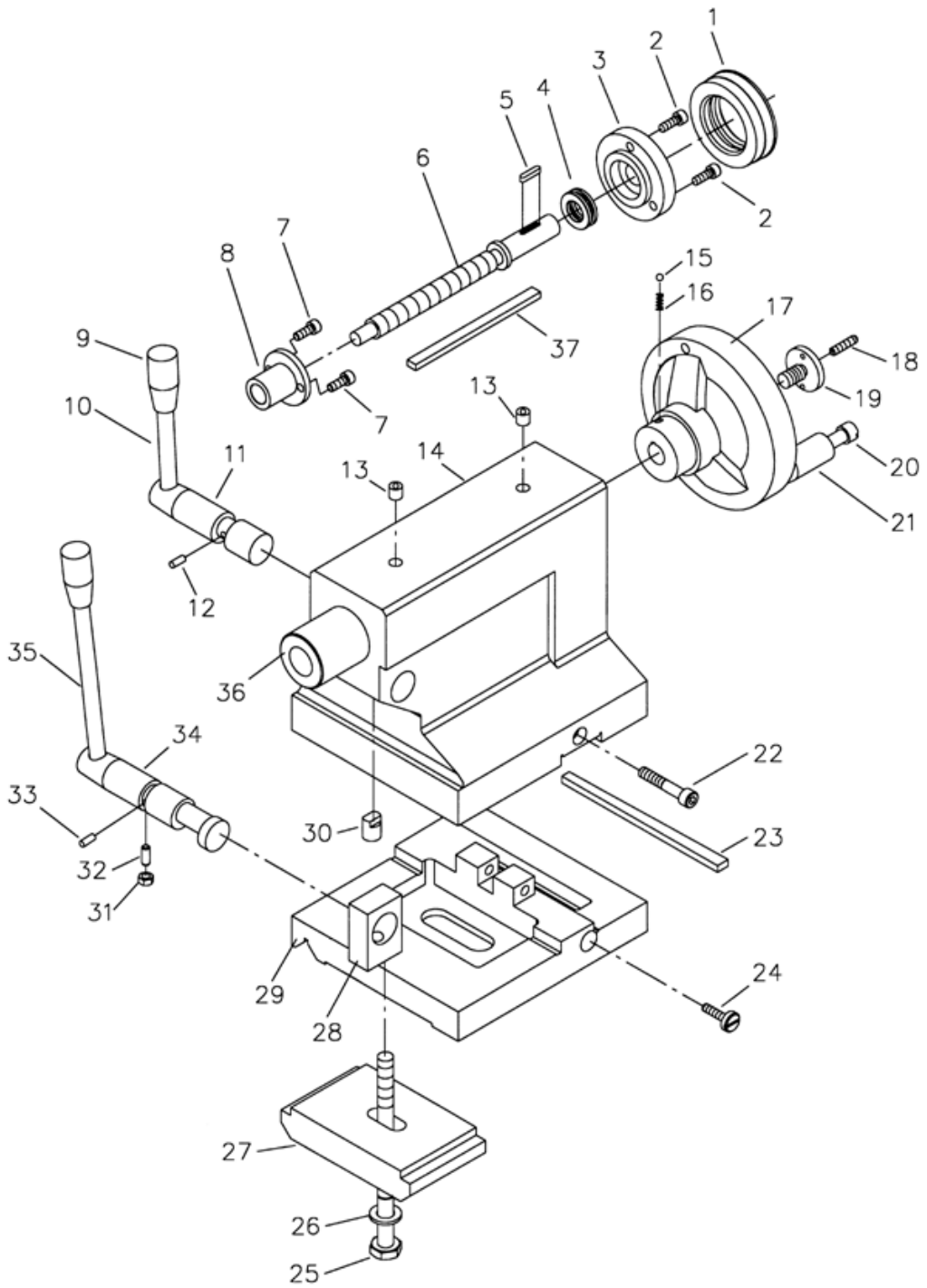
Top Slide and Tool Post



Top Slide and Tool Post

Index No.	Part No.	Description	Size	Quantity
1	07-32	Tool Post		1
2	GB83-10x50	Tool lock Screw	10x50	8
3	GH1440W-07-20	Handle Hub		1
4	GH1440W-07-21	Handle Shaft		1
5	GB4141.14-BM10x50	Knob		1
6	GH1440W-07-19	Spacer		1
7	07-34	Tool Post Pin		1
8	07-29	Tool Post Position Pin		1
9	GB2089-1x8x11	Spring	1x8x11	1
10	07-37	Clamp Nut		1
11	GB1155-6	Oiler	6	1
12	07-49	Compound Slide		1
13	TS-1503051	Hex Socket Cap Screw	M6x20	1
14	07-09	Position Pin		1
15	GH1440W-07-06E	Nut		1
16	GH1440W-07-05E	Compound Screw		1
17	GB1096-4x14	Key	4x14	1
20	GH1440W-07-22E	Screw Bushing		1
21	TS-150305	Hex Socket Cap Screw	M6x20	2
22	GB301-84	Thrust Bearing	8103	1
23	GH1440W-07-07E	Index Ring		1
24	GH1440W-07-.28	Handwheel		1
25	GH1440W-07-23	Handle		1
26	TS-1513051	Hex Socket Cap Screw	M5x25	1
27	07-15	Cover Screw		1
28	TS-1523071	Set Screw	M6x25	1
29	TS-1502091	Hex Socket Cap Screw	M5x40	1
30	GH1440W-07-24	Handle		1
31	GB308-SB6	Steel Ball	6	2
32	GB2089-0.7x5x5	Spring	0.7x5x5	2
33	TS-1523051	Set Screw	M6x16	1
34	07-28	Gib Adjusting Screw		
35	07-10	Gib		1
36	TS-1515011	Hex Socket Cap Screw	M8x16	2
37	GH1440W-07-15	Swivel Slide(14•)		1
	GHW-THA	Tool post Assy (ingludes#1&2) ...		1
	GH1440W-CPAE	Compound Assy metric (ingludes#11-39 for 14•)		1

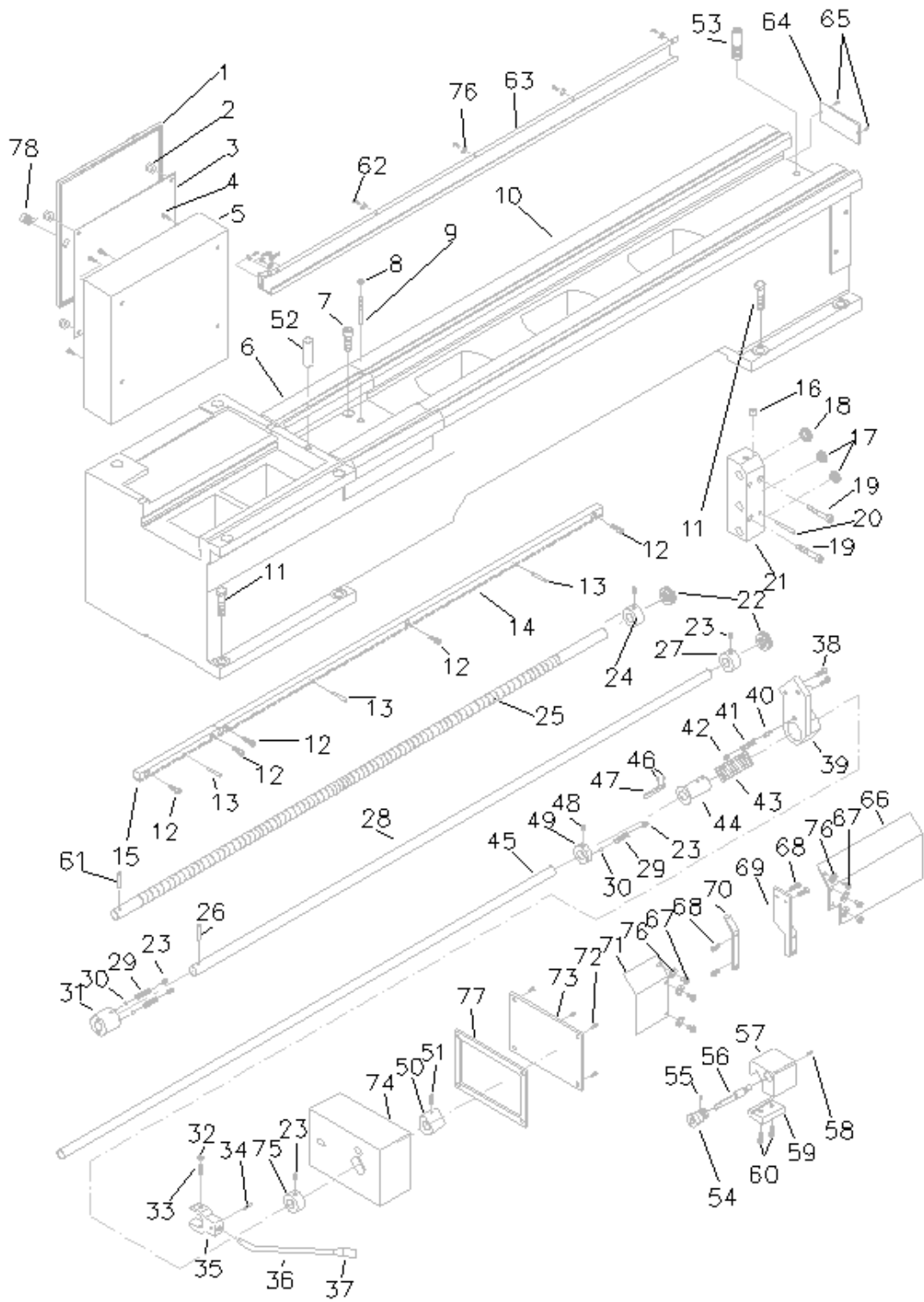
Tailstock Assembly



Tailstock Assembly

Index No.	Part No.	Description	Size	Quantity
1	GH1440W-08-03E	Index Ring		1
2	TS-1503051	Hex Socket cap Screw	M6x20	3
3	GH1440W-08-04E	Hub		1
4	GB301-8103	Thrust Bearing	8103	1
5	GB1096-4x20	Key	4x20	1
6	GH1440W-08-01E	Screw		1
7	TS-1503041	Hex Socket cap Screw	M6x16	2
8	GH1440W-08-02E	Flange		1
9	GB4141. 14-BM10x50	Knob		2
10	GH1440W-06-04	Lever Handle		1
11	GH1440W-08-06	Eccentric Shaft		1
12	GB879-5x12	Pin	5x12	1
13	GB1155-89	Oiler	10	2
14	GH1440W-08-01	Tailstock Body		1
15	GB308-SB6	Steel Ball	6	1
16	GB2089-0.7x5x12	Spring	0.7x5x12	1
17	GH1440W-08-09	Wheel		1
18	TS-1523071	Set Screw	M6x25	1
19	08-12	Cover Screw		1
20	GH1440W-06-10	Handle Lever		1
21	GH1440W-06-11	Handle Sleeve		1
22	GH1440W-T22	Hex Socket cap Screw	M8x70	2
23	GH1440W-08-03	Gib		1
24	01-18	Gib Adjusting Screw		2
25	TS-1492091	Hex Cap Bolt(for 14•)	M12x90	1
26	TS-1550081	Washer	12	1
27	GH1440W-08-04	Tailstock Clamp Plate		1
28	08-16	Block		1
29	GH1440W-08-02	Tailstock Base(for 14•)		1
30	08-02	Stop Pin		1
31	TS-1540041	Nut	M6	1
32	TS-1523051	Set Screw	M6x16	1
33	GB879-5x12	Pin	5x12	1
34	GH1440W-08-05	Eccentric Shaft		1
35	GH1440W-08-08	Lever Handle		1
36	08-04	Spindle		1
37	08-24	Key	3x6x55	1
38	GHW-TA39	Pan Head Screw		4
39	08-22	Indicator Label		1
40	08-23	Indicator Label		1
	GHW1440W-TA-CA	Tailstock Complete Assembly(for14•)		1

Bed and Shaft Assembly

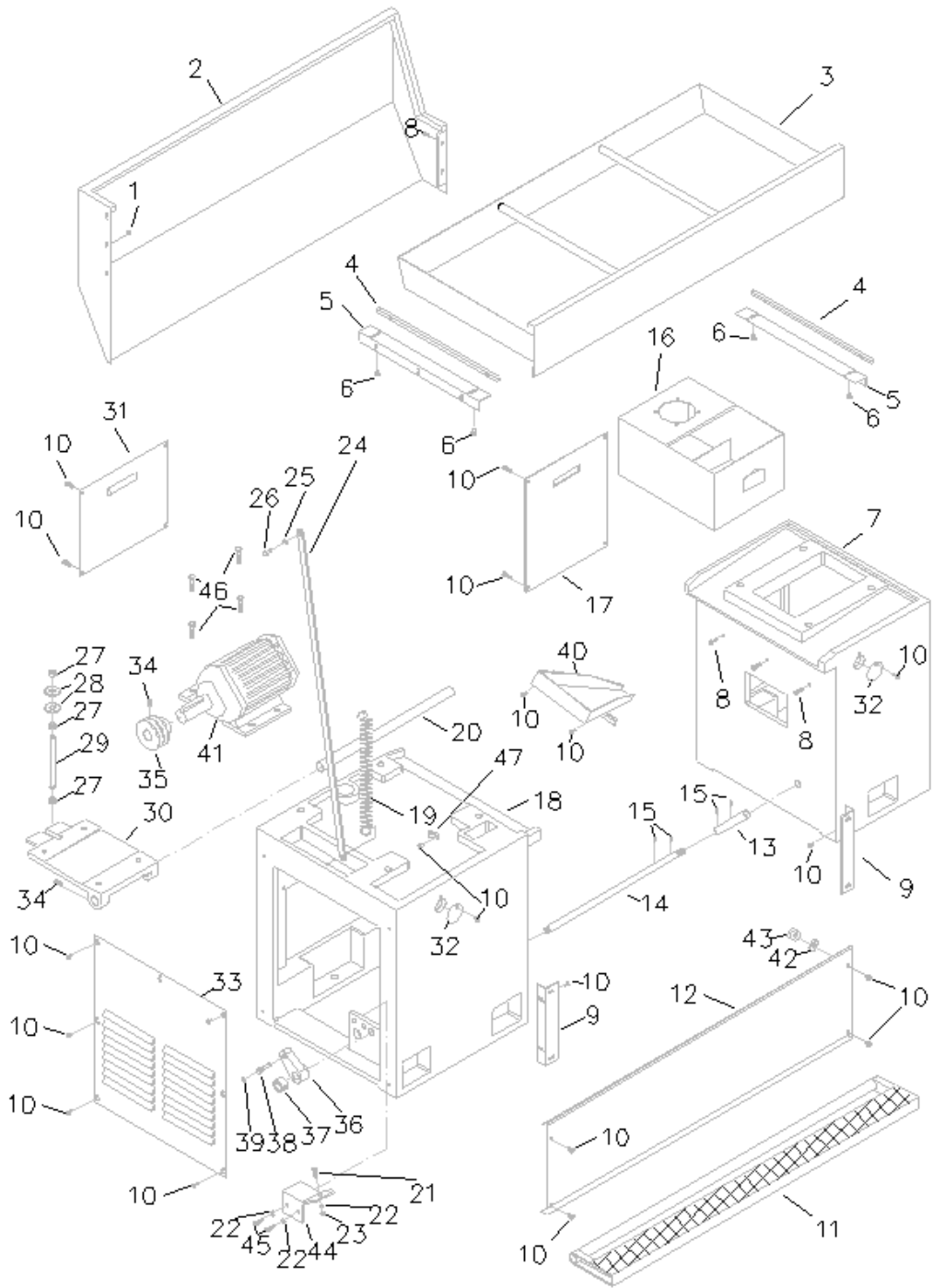


Bed and Shaft Assembly

Index No.	Part No.	Description	Size	Quantity
1	GH1440W-12-02E	Electrical Box Cover		1
2	TS-1540061	Hex Nut	M8	1
3	GH1440W-12-03E	Electrical Plate		4
4	TS-1503061	Hex Socket Cap Screw	M6x10	4
5	GH1440W-12-01E	Electrical Box		1
6	GH1440W-01-02	Gap		1
7	TS-1506051	Hex Socket Cap Screw	M12x40	4
8	TS-1540061	Hex Nut	M8	2
9	GB881-8x60	Pin	8x60	2
10	GH1440W-01-01	Bed		1
11	GB5782- M16x50	Hex Cap Bolt	M16x50	8
12	TS-1503061	Hex Socket Cap Screw	M6x25	6
13	GB879-5x35	Pin	5x35	6
14	01-07	Rack (long)		2
15	01-06	Rack (short)		1
16	GB1155-10	Oiler	10	1
17	01-41	Plug		2
18	01-42	Plug		1
19	TS-150411	Hex Socket Cap Screw	M8x55	2
20	GB118-8x60	Pin	8x60	2
21	GH-1440W-01-03E	End Bracket		1
22	GB301-51104	Bearing	51104	2
23	TS-1503061	Socket Set Screw	M8x10	4
24	01-10	Collar		1
25	GH-1440W-01-02E	Lead Screw		1
26	GB879-5x35	Pin	5x35	1
27	01-16	Collar		1
28	01-15	Feed Shaft		1
29	01-38	Spring		2
30	GB308-SB6	Steel Ball	6	2
31	01-05	Clutch		1
32	TS-1540041	Hex Nut	M6	2
33	TS-1523061	Set Screw	M6x20	2
34	GB879-3x20	Pin	3x20	1
35	01-086/6	Control Fork		1
36	01-081/6	Control Handle		1
37	GB4141.14-BM10x50	Knob		1
38	TS-1503041	Hex Socket Cap Screw	M6x16	2
39	01-084/6	Control Bracket		1
40	01-082/6	Pin		1

41.....	01-38	Spring.....	1.2x6x20.....	1
42.....	TS-1524011.....	Set Screw	M8x8.....	1
43.....	GB2089-3x35x70.....	Spring.....	3x35x70.....	1
44.....	01-085/6	Sleeve		1
45.....	GH1440W-01-21.....	Spindle Control Shaft		1
46.....	TS-1520021	Set Screw	M3x6.....	2
47.....	01-083/6	Key	5x56.....	1
48.....	TS-1523031	Set Screw	M6x10.....	1
49.....	01-26	Collar.....		1
50.....	GH1440W-01-22.....	Shift Collar		1
51.....	TS-1523051	Set Screw	M6x16.....	1
52.....	GB119-16x40	Pin	16x40	1
53.....	01-19	Pin		1
54.....	GH1440W-13-01E	Index Ring.....		1
55.....	GB879-3x5	Pin	3x5	1
56.....	13-02	Shaft.....		1
57.....	GH1440W-13-01.....	Bracket.....		1
58.....	GB79-M6x12.....	Set Screw	M6x12.....	1
59.....	13-04	Plate.....		1
60.....	TS-1503041	Hex Socket Cap Screw.....	M6x16.....	1
61.....	05-74	Shearing Pin 5x37 (Series below #5040063).....		1
05-74E	Shearing Pin 4x37 (Series #5040063 and over).....		1
62.....	GB818-85	Pan Head Machine Screw.....	M5x10.....	7
63.....	GH1440W-10E-01	Cover.....		1
64.....	GHB-1340-01107	Bed Plate		1
65.....	GB818-85	Pan Head Machine Screw.....	M3x6.....	2
66.....	GH1440W-10D-13.....	Right Cover.....		1
67.....	GB818-85	Pan Head Machine Screw.....	M5x8.....	6
68.....	GB870-85	Hex Socket Cap Screw.....	M5x12.....	2
69.....	GH1440W-10D-14.....	Right Fastness Iron.....		1
70.....	GH1440W-10D-11	Left Fastness Iron		1
71.....	GH1440W-10D-12.....	Left Cover		1
72.....	GB870-85	Pan Head Machine Screw.....	M4x8	4
73.....	GH1340A12-03.....	Cover Plate.....		1
74.....	GH1340A12-02.....	Switch Box.....		1
75.....	GH1340A01-03.....	Collar.....		1
76.....	GB96-12	Washer.....	M5.....	14
77.....	GH1440W-12-03/1	Gasket.....		1
78.....	MS300	Lock.....		1

Stand and Brake Assembly

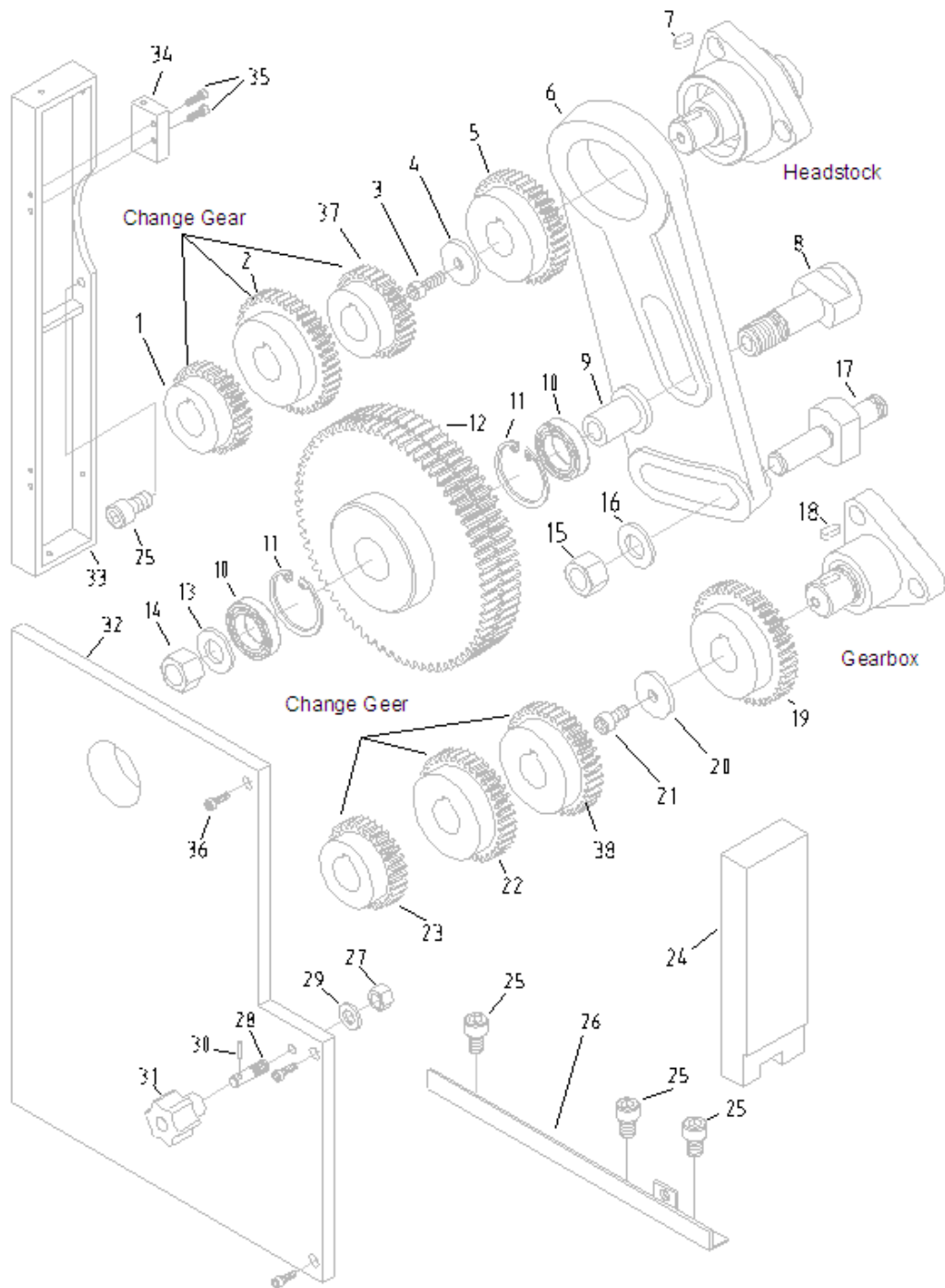


Stand and Brake Assembly

Index No.	Part No.	Description	Size	Quantity
1.....	GB818- M6x10.....	Pan Head Machine Screw.....	M6x10.....	3
2.....	GH1440W-01-23.....	Splash Guard.....		1
3.....	GH1440W-01-05.....	Chip Tray.....		1
4.....	GH1440W-01-07.....	Guide.....		2
5.....	GH1440W-01-06.....	Bracket.....		2
6.....	GB818- M6x10.....	Pan Head Machine Screw.....	M6x10.....	4
7.....	GH1440W-01-04.....	Pedestal (right).....		1
8.....	TS-1503021.....	Hex Socket Cap Screw.....	M6x10.....	8
9.....	GH1440W-01-08.....	Bracket.....		2
10.....	GB818-M6x10.....	Pan Head Machine.....	M6x10.....	30
11.....	GH1440W-01-12.....	Brake Pedal.....		1
12.....	GH1440W-01-09.....	Front Plate.....		1
13.....	11-01.....	Shaft.....		1
14.....	GH1440W-01-13.....	Shaft.....		1
15.....	GB879-5x15.....	Pin.....	5x15.....	4
16.....	14-01E.....	Coolant Tank.....		1
17.....	GH1440W-01-10.....	Cover.....		1
18.....	GH1440W-01-03.....	Pedestal (left).....		1
19.....	11-04.....	Spring.....		1
20.....	GH1440W-01-14.....	Shaft.....		1
21.....	GB70-85.....	Hex Socket Cap Screw.....	M6x20.....	1
22.....	GB/T93.....	Nut.....		4
23.....	GB6170-86.....	Nut.....	M6.....	1
24.....	GH1440W-01-15.....	Connector Bar(for 14•).....		1
	GH1440W-01-15.....	Connector Bar(for 13•).....		1
25.....	GB896-86.....	Retaining Clip.....	6.....	1
26.....	11-12.....	Pin.....		1
27.....	GB6172- M12.....	Hex Nut.....	M12.....	3
28.....	GB96-12.....	Washer.....	12.....	2
29.....	01-23.....	Screw.....		1
30.....	GHW-Sb-30-1.....	Motor Mounting Bracket(for 1 phase motor).....		1
	GHW-Sb-30-3.....	Motor Mounting Bracket(for 3 phase motor).....		1
31.....	01-25.....	Cover.....		1
32.....	01-27.....	Cover.....		4
33.....	GH1440W-01-11.....	Cover.....		1
34.....	TS-1524011.....	Set Screw.....	M8x8.....	3
35.....	GH1440S-01-20E.....	Pulley.....		1
36.....	GH1440W-01-24.....	Link.....		1
37.....	11-07.....	Link Nut.....		1
38.....	11-05.....	Shaft Pin.....		1
39.....	GB896-86.....	Retaining Clip.....	6.....	1

40.....	01-12	Tray	1
41.....	GH1440W-M1E.....	Main Motor (3 phase).....	1
42.....	TS-1550041	Washer.....	6.....4
43.....	TS-1350041	Hex Nut.....	M6.....4
44.....	GH-1340A-11-13.....	Comer Iron.....	1
45.....	GB70-85	Hex Socket Cap Screw.....	2
46.....	GB/T821	Hex Cap Bolt	M10x25.....4
47.....	GHW-01-1E.....	Fastener.....	1

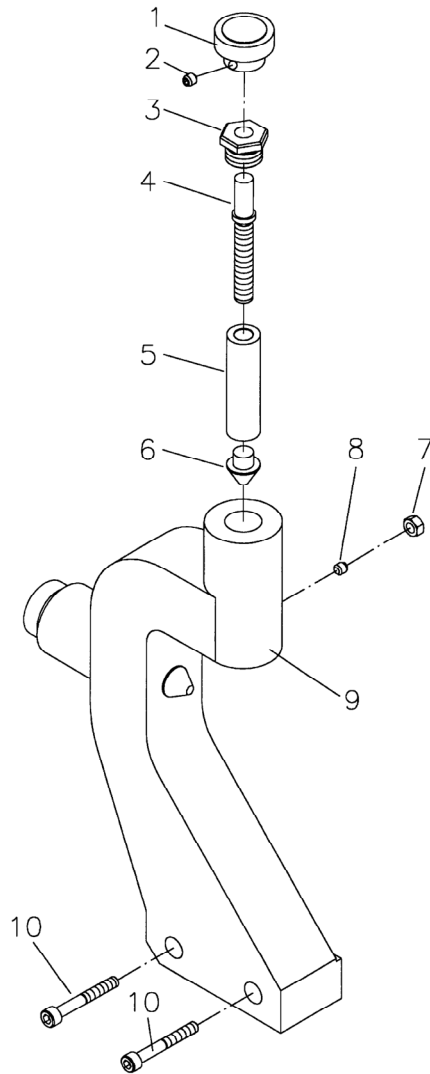
End Gear Assembly



End Gear Assembly

Index No.	Part No.	Description	Size	Quantity
1.....	15-03E.....	Gear.....	32T.....	1
2.....	15-04.....	Gear.....	40T.....	1
3.....	TS-1502041.....	Hex Socket Cap Screw.....	M5x16.....	1
4.....	05-41.....	washer.....		1
5.....	15-02E.....	Gear.....	30T.....	1
6.....	GH1440W-15-01.....	Quadrant.....		1
7.....	GB-1096-5x14.....	Key.....	5x14.....	1
8.....	05-43.....	Thread Shaft.....		1
9.....	05-45.....	Collar.....		1
10.....	BB6103.....	Bearing.....	6103.....	2
11.....	GB893.1-35.....	Retaining Ring.....	35.....	2
12.....	05-65.....	Gear.....	120/127.....	1
13.....	05-44.....	Washer.....		1
14.....	TS-1540071.....	Hex Nut.....	M10.....	1
15.....	TS-1540081.....	Hex Nut.....	M12.....	1
16.....	GB97.2-85.....	Washer.....		1
17.....	GH1440W-15-20.....	Stud.....		1
18.....	GB1096-5x14.....	Key.....	5x14.....	1
19.....	15-03/1E.....	Gear.....	60T.....	1
20.....	05-42.....	Washer.....		1
21.....	TS-1503041.....	Hex Socket Cap Screw.....	M6x16.....	1
22.....	15-05/1E.....	Gear.....	66T.....	1
23.....	15-04/1E.....	Gear.....	65T.....	1
24.....	GH1440W-01-17A.....	Front Plate.....		1
25.....	TS-1504041.....	Hex Socket Cap Screw.....	M8x16.....	7
26.....	GH1440W-01-19.....	Plate.....		1
27.....	TS-1540071.....	Hex Nut.....	M10.....	1
28.....	GH1440W-01-04.....	Shaft.....		1
29.....	GB96-12.....	Washer.....	12.....	1
30.....	GB879-4x24.....	Pin.....	4x24.....	1
31.....	GB4141.29A-85.....	Knob.....		1
32.....	GH1440W-01-01E.....	Change Gear Cover(for 14•).....		1
33.....	GH1440W-01-18.....	Rear Plate(for 14•).....		1
34.....	C6240-10004.....	Plate.....		2
35.....	TS-1513051.....	Hex Socket Cap Screw.....	M5x10.....	4
36.....	TS-1502041.....	Hex Socket Cap Screw.....	M6x20.....	3
37.....	GH-1340A-04-50E.....	Gear.....	24T.....	1
38.....	05-41/1E.....	Gear.....	70T.....	1

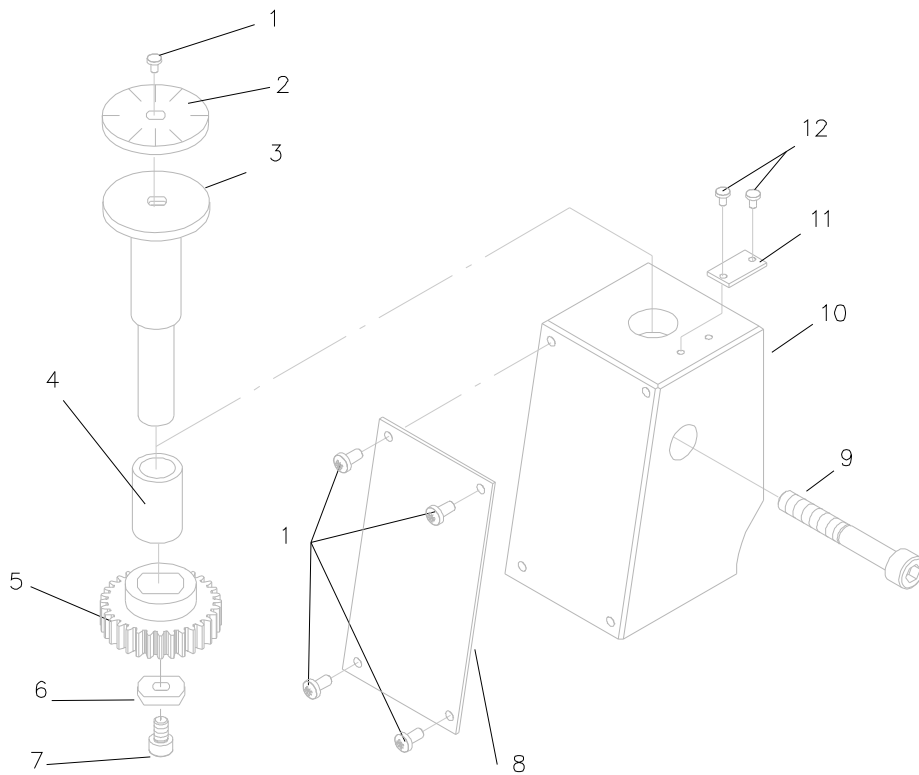
Follow Rest



Follow Rest

Index No.	Part No.	Description	Size	Quantity
1.....	GH1440W-09-02.....	Knob.....		2
2.....	TS-1523011.....	Set Screw.....	M6x6.....	2
3.....	10B-04.....	Bushing.....		2
4.....	10B-05.....	Screw.....		2
5.....	10B-02.....	Sleeve.....		2
6.....	10B-06.....	Brass Finger.....		2
7.....	TS-1540041.....	Hex Nut.....	M6.....	2
8.....	TS-1523011.....	Set Screw.....	M6x6.....	2
9.....	GH1440W-09-01.....	Body Casting.....		1
10.....	TS-1504121.....	Hex Socket Cap Screw.....	M8x60.....	2
	GH1440W-FR-CA.....	Follow Rest Complete Assembly(for 14•).....		1

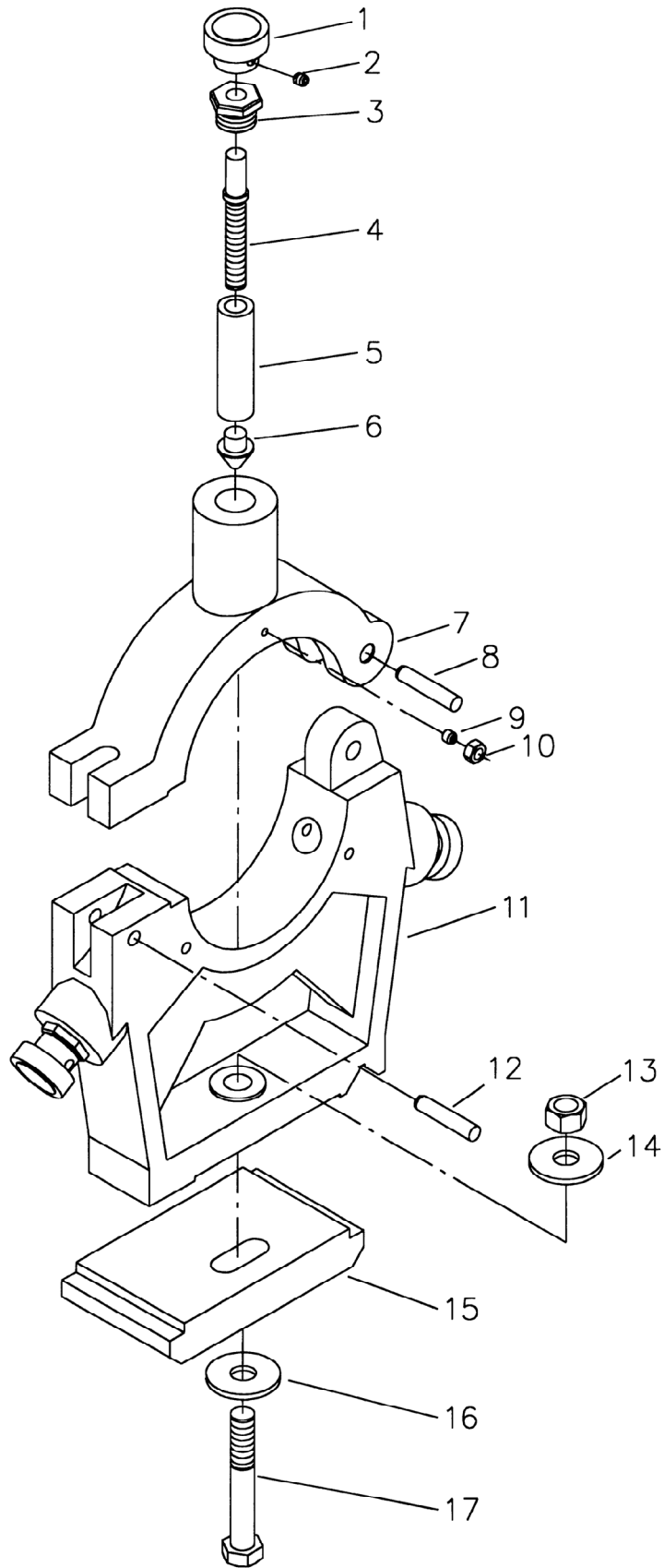
Thread Dial Assembly



Thread Dial Assembly

Index No.	Part No.	Description	Size	Quantity
1	GB818-85	Pan Head Machine Screw	M3x6	1
2	GH1440W-06-04E	Dial		1
3	GH1340A-06-21/3	Dial Body		1
4	GH1440W-06-05	Collar		1
5	GH1340A-06-21/9	Gear	20T	1
6	GH1340A-06-21/11	Washer		1
7	TS-1503101	Hex Socket Cap Screw	M6x16	1
8	GH1340A-06-02	Name Plate		1
9	TS-1503101	Hex Socket Cap Screw	M6x45	1
10	06-24	Body		1
11	BD-920-6004	Indicator Label		1
12	GHW-TD-10	Rivet	2x4	1

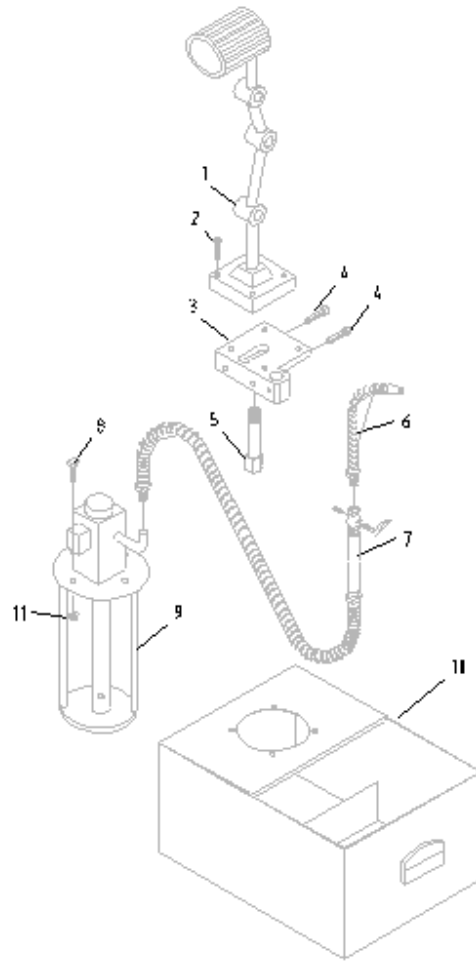
Steady Rest



Steady Rest

Index No.	Part No.	Description	Size	Quantity
1.....	GH1440W-09-02.....	Knob.....		3
2.....	TS-1523011.....	Set Screw.....	M6x6.....	3
3.....	10A-05.....	Bushing.....		3
4.....	10A-06.....	Screw.....		3
5.....	10A-07.....	Sleeve.....		3
6.....	10A-08.....	Brass Finger.....		3
7.....	10A-03.....	Upper Body Casting.....		1
8.....	GB119-8x40.....	Pin.....	8x40.....	1
9.....	TS-1523061.....	Set Screw.....	M6x20.....	3
10.....	TS-1540041.....	Hex Nut.....	M6.....	3
11.....	GH1440W-10-01.....	Lower Body Casting.....		1
12.....	10A-02.....	Lock Pin.....		1
13.....	TS-1540081.....	Hex Nut.....	M12.....	1
14.....	TS-1550081.....	Flat Washer.....		1
15.....	GH1440W-10-02.....	Clamp Plate.....		1
16.....	TS-1550081.....	Flat Washer.....	12.....	1
17.....	TS-1492081.....	Hex Cap Bolt.....	M12x80.....	1
.....	GH1440W-SR-CA.....	Steady Rest Complete Assembly(for 14•).....		1

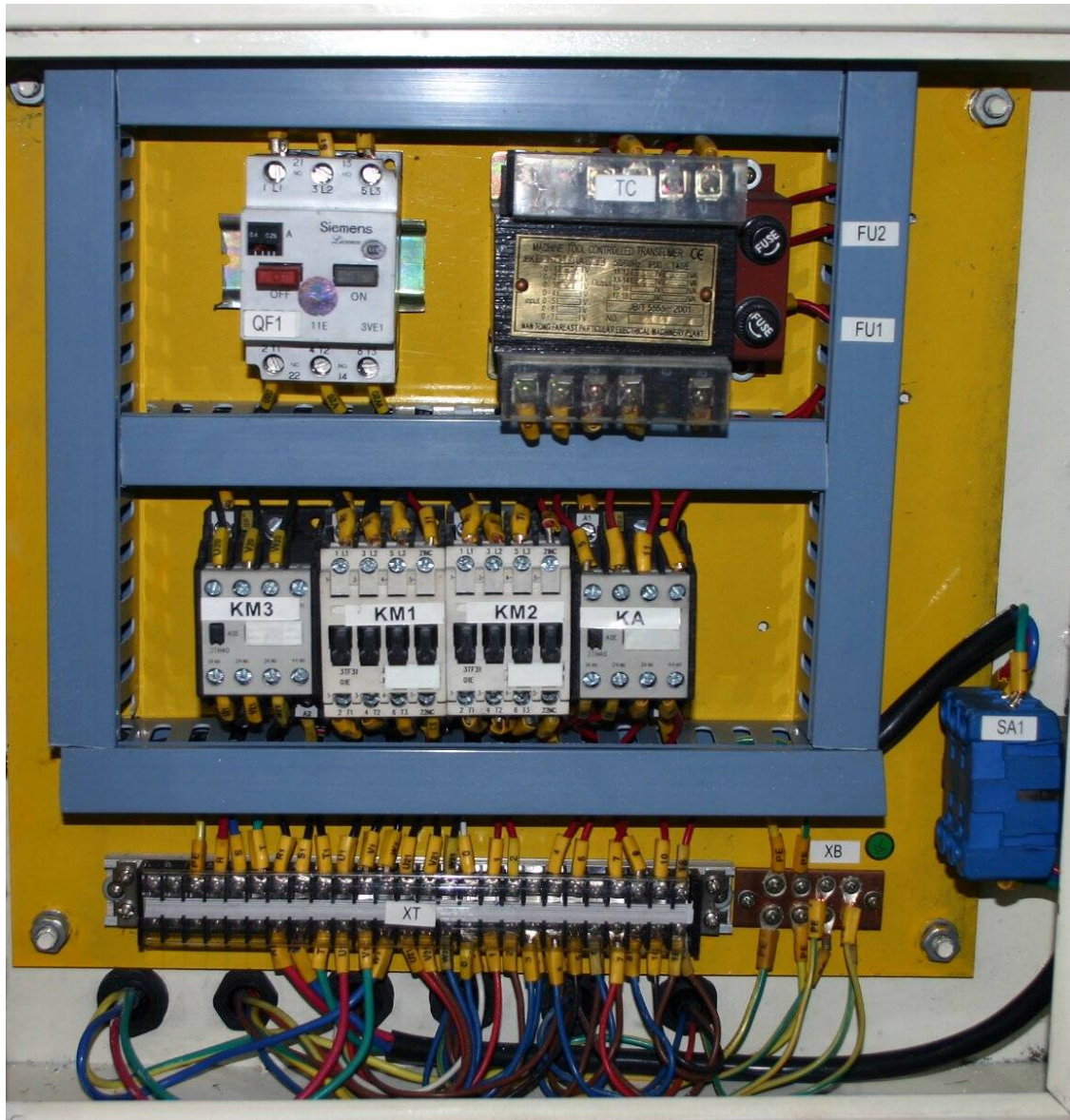
Coolant and Work Light Assembly



Coolant and Work Light Assembly

Index No.	Part No.	Description	Size	Quantity
1	GH1440WE-EL	Work Light**		1
2	GHW-CW02	Cross Head Screw**	M6x14	4
3	14-03	Lamp Bracket**		1
4	TS-1503051	Hex Socket Cap Screw**	M6x20	2
5	14-04	Connected Tube		1
6	GHW-CW06	Coolant Device		1
7	GHW-CW07	Rubber Tube		1
8	GHW-CW08	Hex Cap Bolt	M5x25	4
9	E-M2	Coolant Pump (3 phase)	1/8HP	1
10	14-01E	Water Tank		1
11	TS-1540031	Nut	M5	4
	GH1440W-BL	Work Lamp Bulb		1
**	GHW-WL-CA	Work Light Complete Assembly (includes#1-5)		1

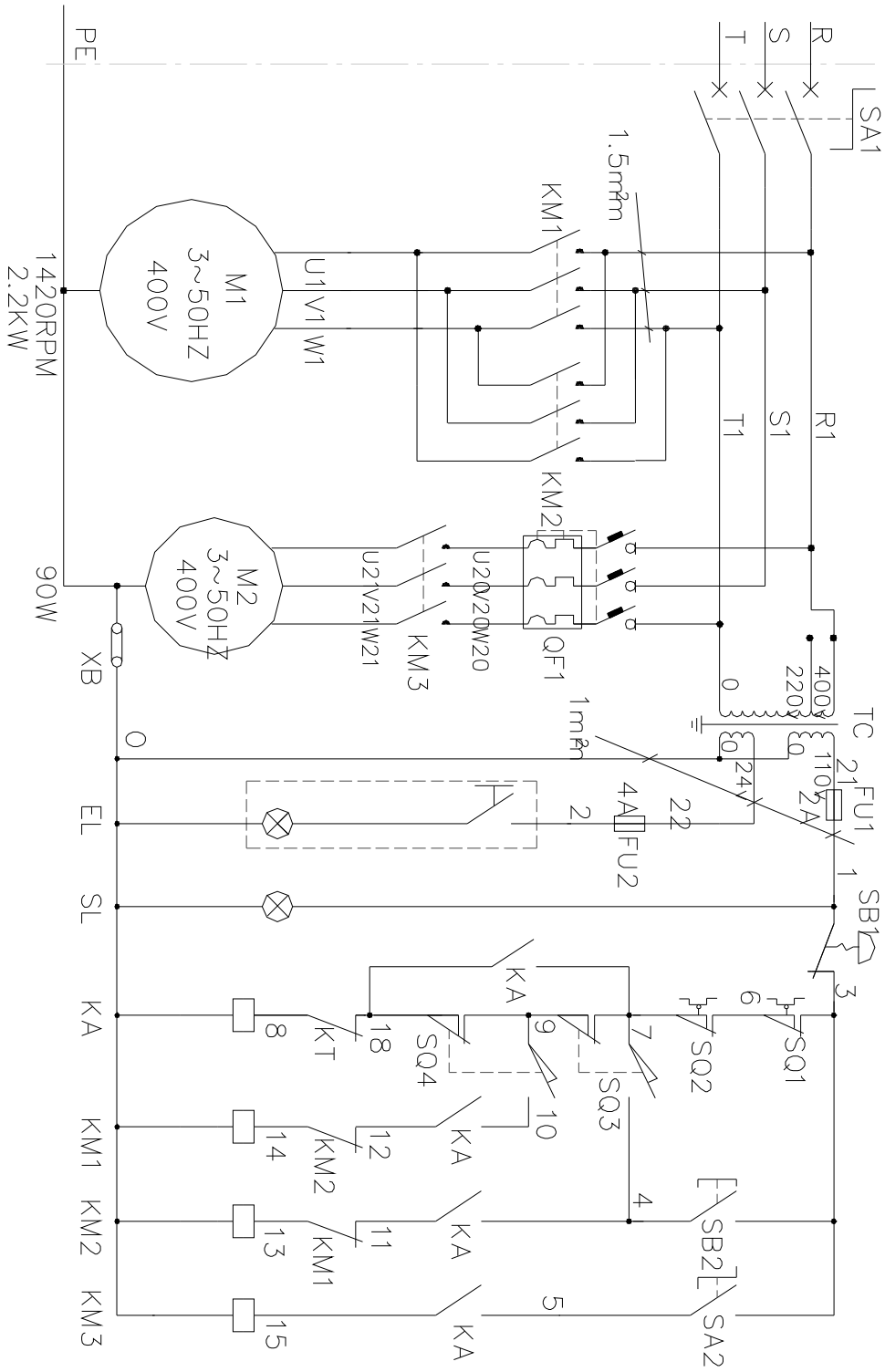
Electrical Components



Electrical Components

Index No.	Part No.	Description	Size	Quantity
KM1	GH1440WE-KM1	Magnetic Starter (3 Phase, Forward)		1
KM2	GH1440WE-KM2	Magnetic Starter (3 Phase, Reverse)		1
KM3	GH1440WE-KM3	Coolant Pump Contactor		1
KA	GH1440WE-KA	Control Contactor		1
FU1	GH1440WE-FU1	2 Amp Fuse (local purchase)		1
FU2	GH1440WE-FU2	4 Amp Fuse (local purchase)		1
QF1	GH1440WE-QF1	Master Switch		1
TC	GH1440WE-TC-3	Transformer (3 Phase)		1
SA1	GH1440WE-SA1	Power On/Off Switch		1
XT	GH1440WE-XT	Terminal Table		1
XB	GH1440WE-XB	Ground Plate		1
	GH1440WE-SQ2	Chuck Guard Switch (not shown)		1
	GH1440WE-SQ1	Brake Switch (not shown)		1
	GH1440WE-SB1	Off Switch (not shown)		1
	GH1440WE-SB2	Jog Switch (not shown)		1
	GH1440WE-SL	Power Indicator light (not shown)		1
	GH1440WE-SA2	Coolant Pump Switch (not shown)		1
	GH1440WE-SQ3	Forward Switch (not shown)		1
	GH1440WE-SQ4	Reverse Switch (not shown)		1
	GH1440WE-M1	Main Motor (3ph,not shown)		1
	GH1440WE-M2	Coolant Pump (3ph,not shown)		1

Electrical Schematic Symbol Glossary



Electrical Schematic Symbol Glossary

Symbol	Component	Location
1.....SB1	Emergency Off Switch.....	Front Panel
2.....SB2	Jog Switch.....	Front Panel
3.....SL.....	Power Indicator Light.....	Front Panel
4.....SA2	Coolant Pump Switch.....	Front Panel
5.....SQ1	Brake Switch.....	Inside Bottom Cover-Headstock End
6.....SQ2.....	Chuck Guard Switch.....	Inside Change Gear Cover
7.....SQ3.....	Forward Switch.....	Inside the Bracket (On The Right Of Gearbox)
8.....SQ4.....	Reverse Switch.....	Inside the Bracket (On The Right Of Gearbox)
9.....SA1	Power On/Off Switch	On Electrical Panel Cover-Rear of Machine
10.....KM3.....	Coolant Pump Contactor.....	Electrical Control Box- Rear of Machine
11.....KM3.....	Coolant Pump Contactor.....	Electrical Control Box- Rear of Machine
12.....QF1	Master Overload Switch.....	Electrical Control Box- Rear of Machine
13.....KM1	Magnetic Starter-Forward	Electrical Control Box- Rear of Machine
14.....KM2.....	Magnetic Starter-Reverse	Electrical Control Box- Rear of Machine
15.....TC	Control Transformer	Electrical Control Box- Rear of Machine
16.....M1	Main Motor	Inside Stand-Headstock End
17.....M2	Coolant Pump Motor	Inside Stand-Headstock End
18.....EL.....	Work Lamp light.....	Work Light Seat