

JET

JTS-315SP Table Saw

JTS-315SP-M...10000910SM....230/50/1
JTS-315SP-T....10000910ST....400/50/3

PARTS LIST

ERSATZTEILLISTE

LISTE DE PIECES

Walter Meier (Tool) AG

Tämperlistrasse 5

CH-8117 Fällanden

Switzerland

Phone +41 44 806 47 48

Fax +41 44 806 47 58

jetinfo.eu@waltermeier.com

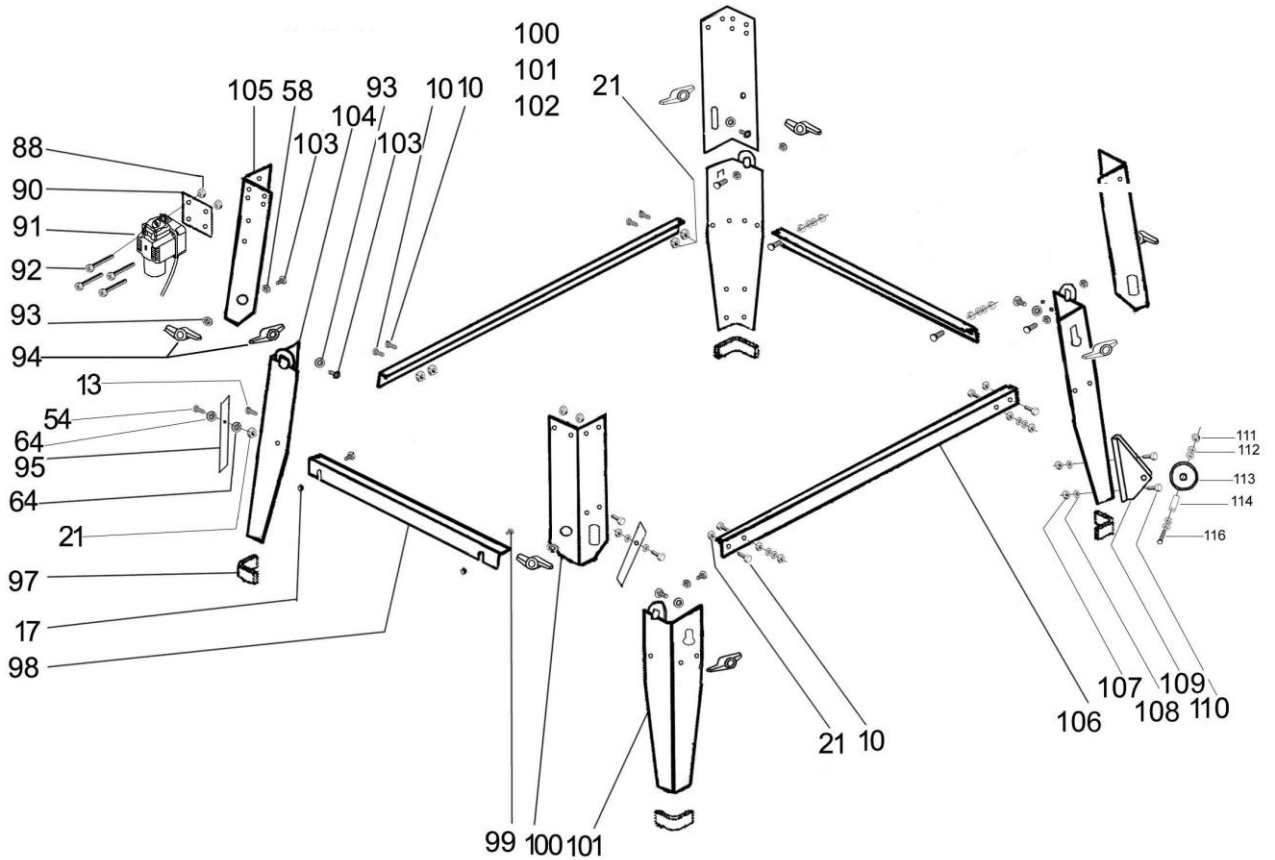
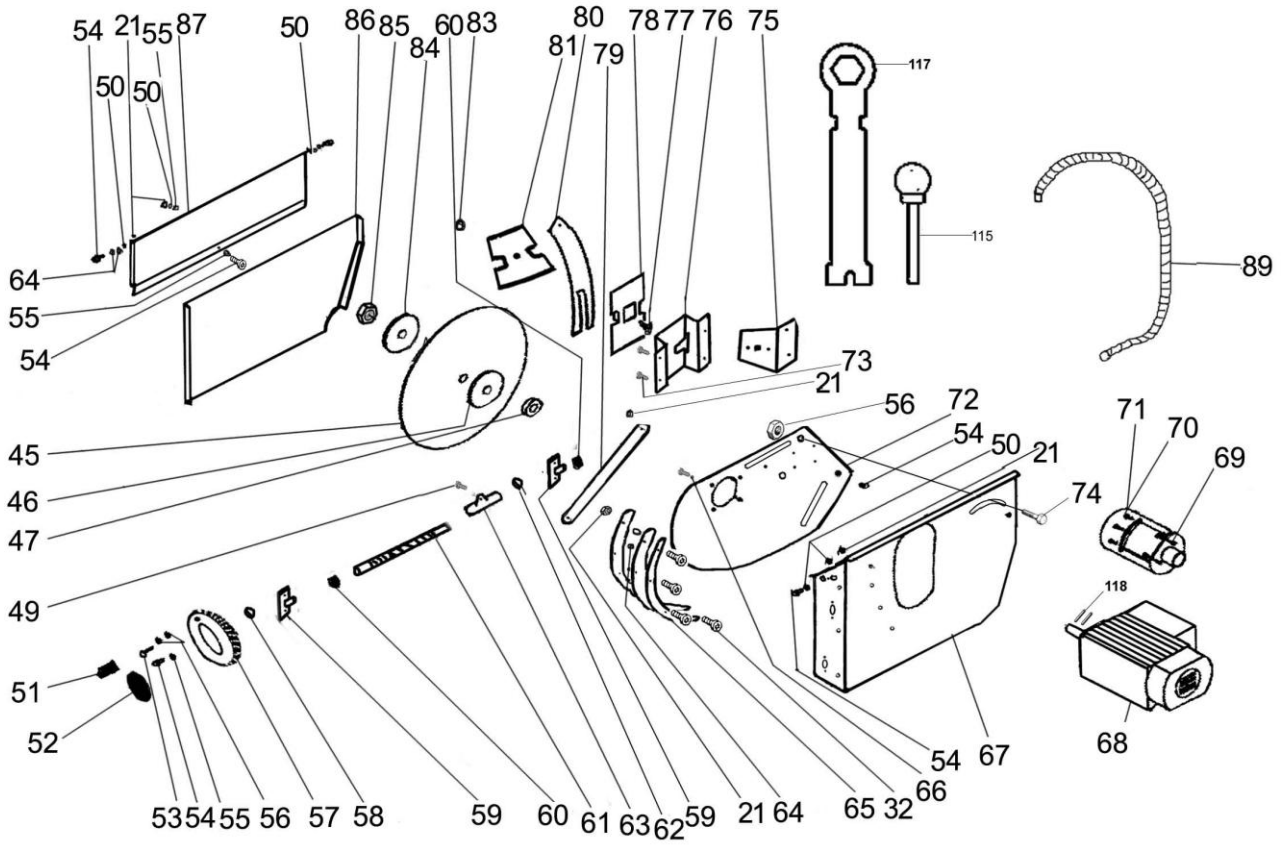
www.jettools.com



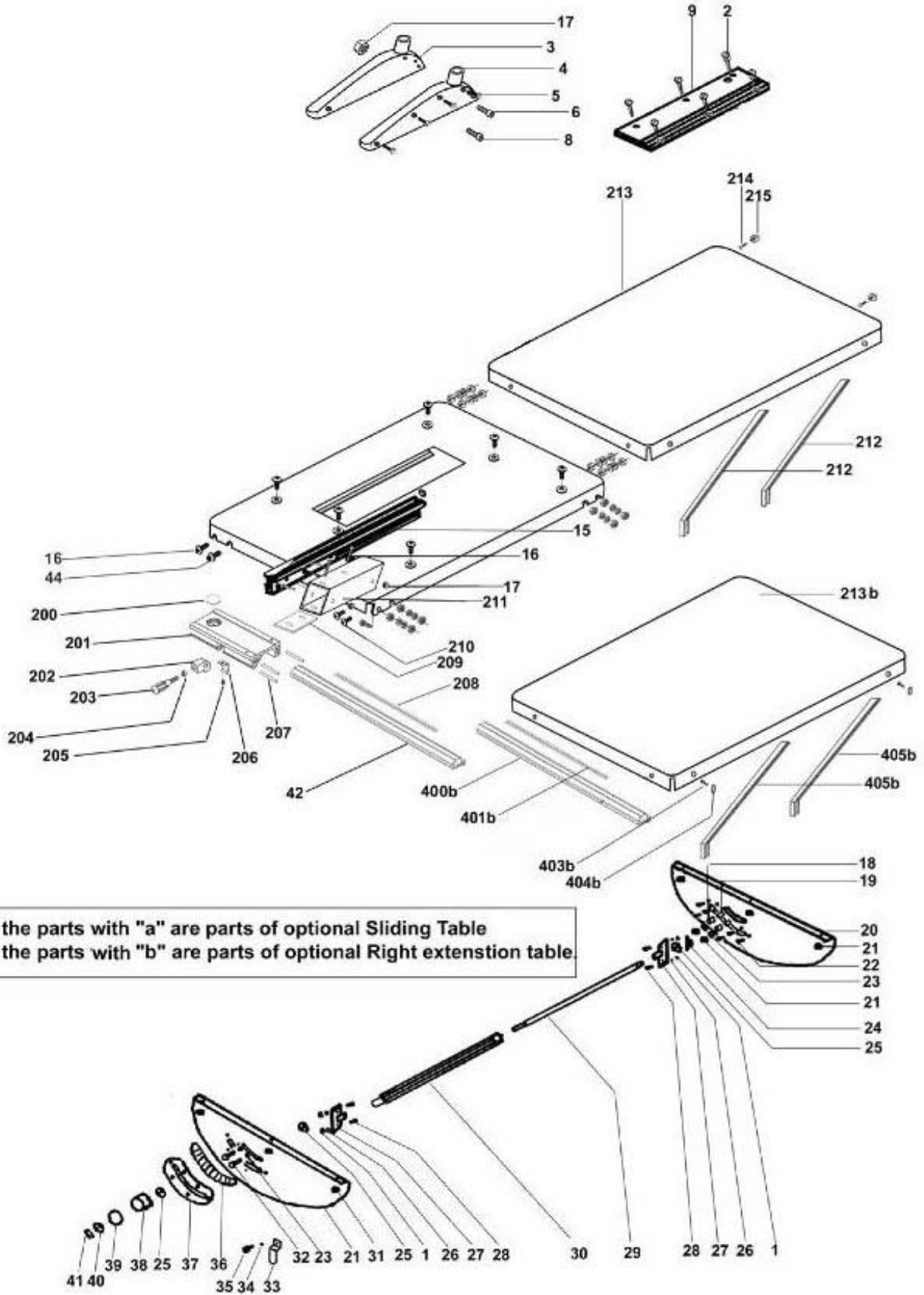
P-10000910SM/ST

2011-03

Parts Breakdown For JTS-315SP Table Saw



Parts Breakdown For JTS-315SP Table Saw



Parts List For JTS-315SP Table Saw

Index No.	Part No.	Description	Size	Qty.
1	JTS315-1	Hexagonal nut self-locking	M5	9
2	JTS315-2	Sunk head tapping screw		6
3	JTS315-3	Blade cover (right)		1
4	JTS315-4	Blade cover (left)		1
5	JTS315-5	Sunk head tapping screw	ST3.5 x 25	4
6	JTS315-6	Sunk head screw	M5 x 30	1
8	JTS315-8	Carriage bolt		1
9	JTS315-9	Table insert		1
10	JTS315-10	Hexagonal bolt	M6 x 16	10
11	JTS315-11	Table top		1
12	JTS315-12	Sunk head screw	M6 x 16	6
13	JTS315-13	Hexagonal nut self-lock	M6	12
14	JTS315-14	Washer		24
15	JTS315-15	Fence extrusion		1
16	JTS315-16	Carriage bolt	M6 x 16	6
17	JTS315-17	Knurled nut		4
18	JTS315-18	Copper tube		4
19	JTS315-19	Steel tube		4
20	JTS315-20	Chipcase guide panel, rear		1
21	JTS315-21	Hexagonal nut self-lock	M6	24
22	JTS315-22	Sunk head tapping screw	ST3.5 x 13	12
23	JTS315-23	Washer	6mm	4
24	JTS315-24	Locking washer		1
25	JTS315-25	Locking washer		3
26	JTS315-26	Washer	5mm	8
27	JTS315-27	Pinion shaft support		2
28	JTS315-28	Pan head screw	M5 x 12	8
29	JTS315-29	Setting tube		1
30	JTS315-30	Pinion shaft		1
31	JTS315-31	Chipcase guide panel, front		1
32	JTS315-32	Hexagonal bolt	M5 x 25	4
33	JTS315-33	Indicator		1
35	JTS315-35	Pan head tapping screw	ST3.5 x 9.5	1
36	JTS315-36	Angle label		1
37	JTS315-37	Pinion plate		2
38	JTS315-38	Hand wheel/blade tilt		1
39	JTS315-39	Angle indicator		1
40	JTS315-40	Adjusting washer		1
41	JTS315-41	Locking lever		1
42	JTS315-42	Rip fence carrier extrusion		1
44	JTS315-44	Rip fence carrier		1
45	JTS315-45	Blade		1
46	JTS315-46	Centering flange		1
47	JTS315-47	Adjusting washer		8
48	JTS315-48	Hex soc screw	M6 x 8	2
49	JTS315-49	Hexagonal bolt	M6 x 25	1
50	JTS315-50	Washer	6mm	1
51	JTS315-51	Turning tang		1
52	JTS315-52	Indicator-height		1
53	JTS315-53	Setting tang bolt		1
54	JTS315-54	Hexagonal nut	M6	1
55	JTS315-55	Washer	6mm	1
56	JTS315-56	Hexagonal nut	M6	2
57	JTS315-57	Hand wheel/blade rise & fall		1
58	JTS315-58	Washer	12mm	1
59	JTS315-59	Thread rod support		1
60	JTS315-60	Ring retaining		1
61	JTS315-61	Thread rod		1
62	JTS315-62	Ring retaining		1
63	JTS315-63	Thread rod nut		1
64	JTS315-64	Washer	8mm	8
65	JTS315-65	Guide plan		3
66	JTS315-66	Spring washer		4
67	JTS315-67	Chipcase		1

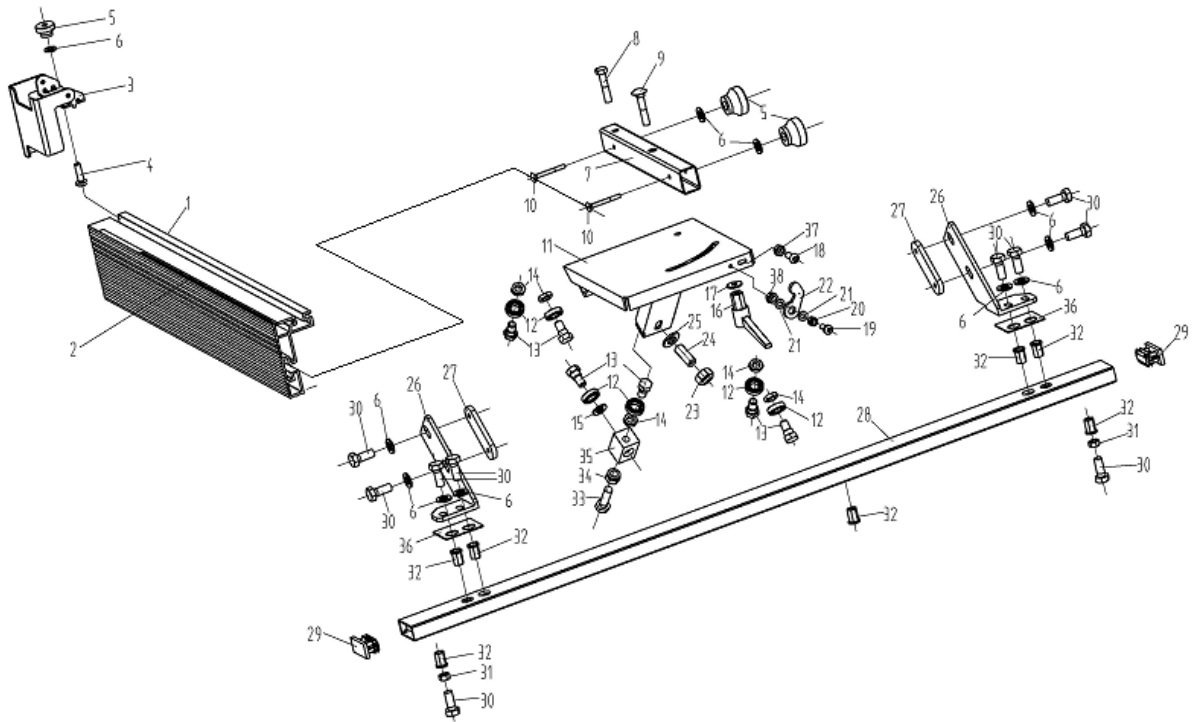
Parts List For JET JTS-315SP Table Saw

Index No.	Part No.	Description	Size	Qty.
68	JTS315-68E	Motor	230/50/1	1
	JTS315-68AE	Motor	400/50/3	1
	JTS315-68SAE	Motor	230/60/1	1
	JTS315-68UKE	Motor	110/50/1	1
69	JST315-69	Pan head screw	M4 x 13	2
70	JTS315-70	Pan head tapping screw	ST3.5 x 13	3
71	JTS315-71	Dust collector		1
72	JTS315-72	Motor carrier unit		1
73	JTS315-73	Self-plugging rivet		4
75	JTS315-75	Thread rod seat		1
76	JTS315-76	Riving knife seat		1
77	JTS315-77	Carriage bolt	M10 x 25	1
78	JTS315-78	Guide plate		1
79	JTS315-79	Lever		1
80	JTS315-80	Riving knife		1
81	JTS315-81	"U" plate		1
83	JTS315-83	Hexagonal nut self-lock	M10	1
84	JTS315-84	Tightening flange blade		1
85	JTS315-85	Left side nut	M14 left	1
86	JTS315-86	Cover for chipcase (lower)		1
87	JTS315-87	Cover for chipcase (upper)		1
88	JTS315-88	Hexagonal nut self-lock	M4	4
89	JTS315-89	Suction hose		1
90	JTS315-90	Switch bracket		1
91	JTS315-91E	Switch	230/50(60)/1	1
	JTS315-91AE	Switch	400/50/3	1
	JTS315-91UKE	Switch	110/50/1	1
92	JTS315-92	Pan head screw	M4 x 50	4
93	JTS315-93	Washer	8mm	8
94	JTS315-94	Wing nut		8
95	JTS315-95	Handle		2
97	JTS315-97	Rubber feet		4
98	JTS315-98	Short crossbeam		2
99	JTS315-99	Carriage bolt	M6x16	2
100	JTS315-100	Upper fold leg (left)		2
101	JTS315-101	Lower fold leg (right)		2
103	JTS315-103	Carriage bolt	M8 x 16	8
104	JTS315-104	Upper fold leg (left)		2
105	JTS315-105	Lower fold leg (left)		2
106	JTS315-106	Long crossbeam		2
107	JTS315-107	Hex nut self-lock		4
108	JTS315-108	Washer		4
109	JTS315-109	Wheel bracket		2
110	JTS315-110	Hex bolt		4
111	JTS315-111	Hex nut self-lock		2
112	JTS315-112	Washer		8
113	JTS315-113	Wheel		2
114	JTS315-114	Wheel tube		2
115	JTS315-115	Handle		1
116	JTS315-116	Hex bolt		2
117	JTS315-117	Wrench		1
118	JTS315-118	Pin Roll		2
200	JTS315-200	Magnifier		1
201	JTS315-201	Fence sliding plate		1
	JTS315-201A	Fence sliding plate assembly (200 ~ 211)		1
202	JTS315-202	Cam		1
203	JTS315-203	Lock handle		1
204	JTS315-204	Nut		1
205	JTS315-205	Screw	M4x6	1
206	JTS315-206	Spring slice		1
207	JTS315-207	Shaft		3
208	JTS315-208	Scale		1
209	JTS315-209	Square washer		1
210	JTS315-210	Screw		2
211	JTS315-211	Fence seat		1
212	JTS315-212	Back table support		2
213	JTS315-213	Extension table		1
214	JTS315-214	Bolt	M6x16	2
215	JTS315-215	Knurled nut	M6	2

Parts List For Optional Accessory Right Extension Table

Index No.	Part No.	Description	Size	Qty.
400	JTS315-400	Extension rip fence carrier extrusion		1
401	JTS315-401	Scale		1
403	JTS315-403	Bolt	M6x16	2
404	JTS315-404	Knurled nut	M6	2
405	JTS315-405	Right table support		2

Parts Breakdown For JTS-315SP Precision Sliding Table

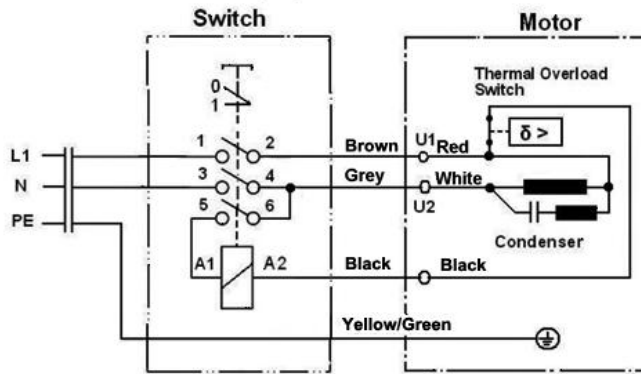


Parts List For JTS-315SP Precision Sliding Table

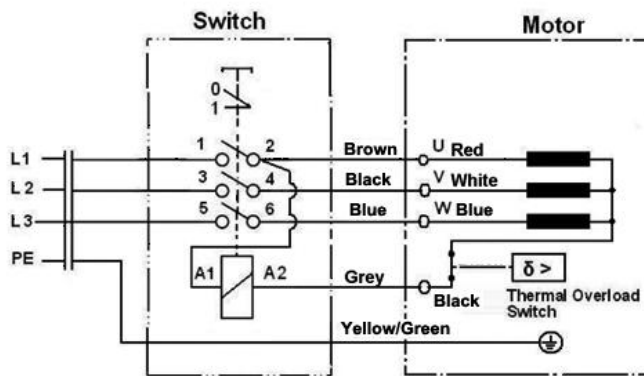
Index No.	Part No.	Description	Size	Qty
1	JTS315PST-01	Fence Extrusion		1
2	JTS315PST-02	Scale		2
3	JTS315PST-03	Movable Mount		1
4	JTS315PST-04	Carriage Bolt	M6x20	1
5	JTS315PST-05	Knurled Nut		3
6	JTS315PST-06	Washer	M6	11
7	JTS315PST-07	Fence Mount		1
8	JTS315PST-08	Hex Screw	M10x55	1
9	JTS315PST-09	Carriage Bolt	M10X60	1
10	JTS315PST-10	Carriage Bolt	M6x55	2
11	JTS315PST-11	Seat		1
12	JTS315PST-12	Bearing	6000	6
13	JTS315PST-13	Bearing Shaft		6
14	JTS315PST-14	Thin Nut	M6	5
15	JTS315PST-15	Washer	M8	1
16	JTS315PST-16	Locking Handle Assy		1
17	JTS315PST-17	Washer		1
18	JTS315PST-18	Hex Socket Screw	M6X10	1
19	JTS315PST-19	Pan Head Screw	M5X12	1
20	JTS315PST-20	Washer	M5	2
21	JTS315PST-21	Tube		1
22	JTS315PST-22	Block Positioning		1
23	JTS315PST-23	Hex Nut	M10	1
24	JTS315PST-24	Screw	M10X20	1
25	JTS315PST-25	Washer	M10	1
26	JTS315PST-26	Support For Rail		2
27	JTS315PST-27	Support Plate		2
28	JTS315PST-28	Guiding Rail		1
29	JTS315PST-29	End Cap for Rail		2
30	JTS315PST-30	Hex Screw	M6X16	10
31	JTS315PST-31	Nut	M6	2
32	JTS315PST-32	Rivet Nut	M6X15	7
33	JTS315PST-33	Hex Screw	M8X25	1
34	JTS315PST-34	Thin Self Locking Nut	M8	1
35	JTS315PST-35	Adjusting Block		1
36	JTS315PST-36	Plate		2
37	JTS315PST-37	Self Locking Nut	M6	1
38	JTS315PST-38	Hex Nut	M5	1

Wiring Diagram For JET JTS-315SP Table Saw

230 V / 50(60)Hz / 1Phase



400V / 50Hz / 3Phase



110V / 50 Hz / 1Phase

