

# **JET**

**JWP-201**

**THICKNESSER**

**1791280T**

**400/50/3**

## **PARTS LIST**

**Walter Meier (Fertigung) AG**

Bahnstrasse 24

8603 Schwerzenbach

Switzerland

Phone +41 44 806 47 48

Fax +41 44 806 47 58

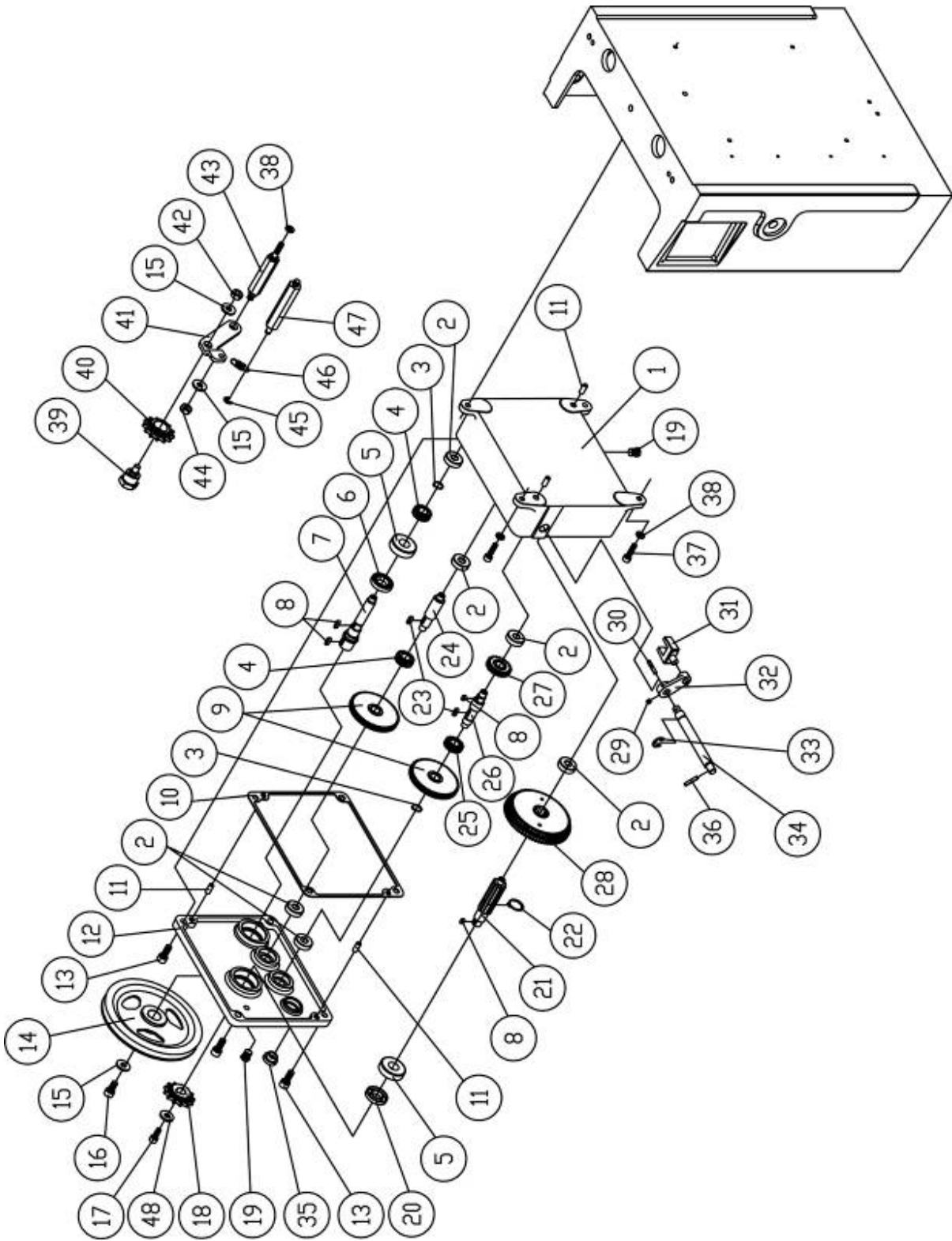
[jetinfo.eu@waltermeier.com](mailto:jetinfo.eu@waltermeier.com)

[www.jettools.com](http://www.jettools.com)



P-1791280T 2009/08/28

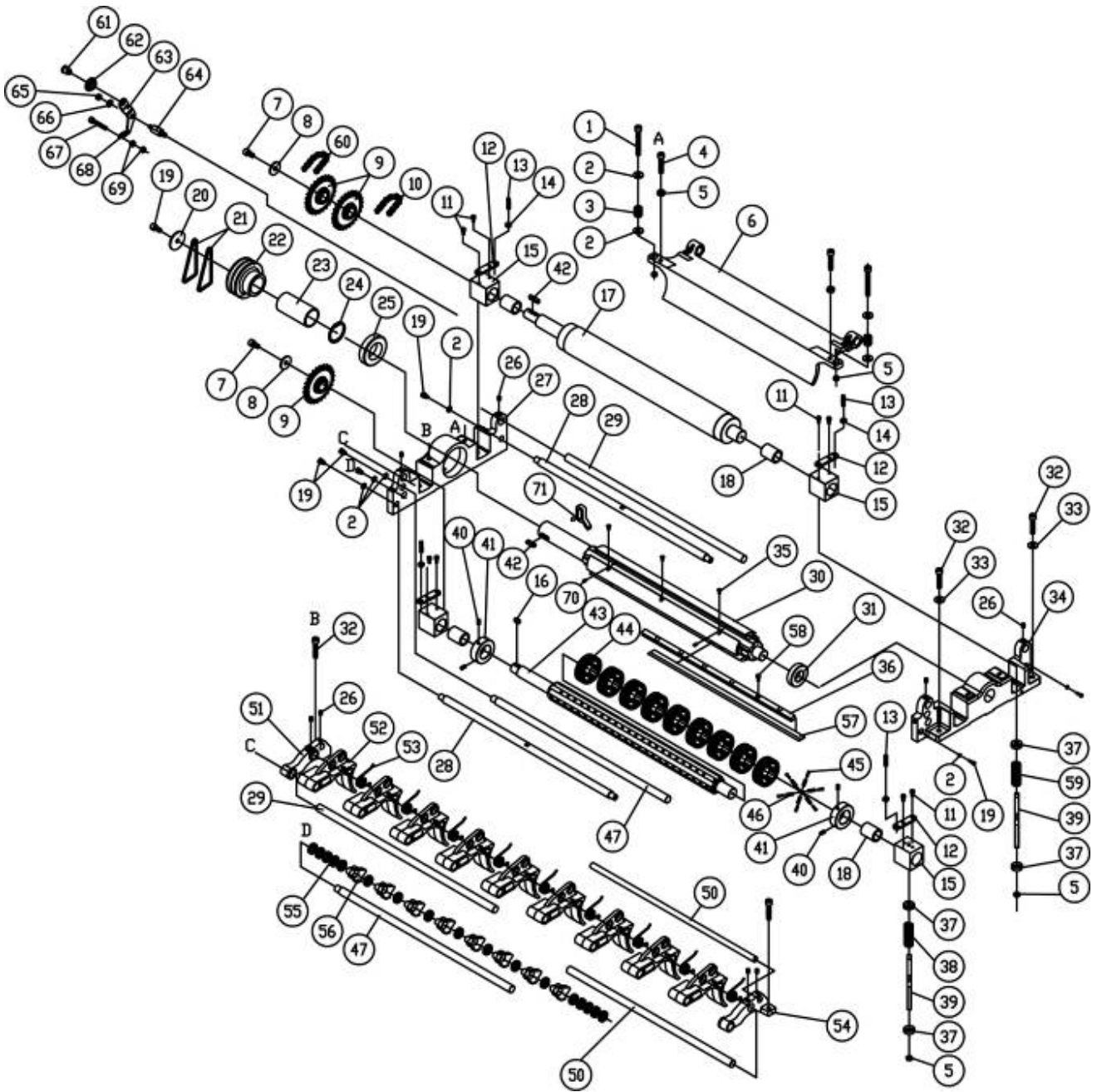
# JWP-201 Gearbox Assembly



## JWP-201 Gearbox Assembly

Index No.	Part No.	Description	Size	Qty.
1	6012034	Gearbox Body		1
2	6012035	Ball Bearing	6201-2NSE	6
3	6012036	S-Ring		2
4	6012037	Gear		2
5	6012038	Ball Bearing, 6204-2NSE	6204-2NSE	2
6	6012039	Oil Seal		1
7	6012040	Shaft		1
8	6293370	Key	5 x 5 x 10	4
9	6012041	Gear		2
10	6012042	Gasket		1
11	6012043	Pin		4
12	6012044	Gearbox Cover		1
13	6012142	Socket Head Cap Screw	M10 x 1.5P x 25L	4
14	6012046	Pulley		1
15	6012047	Flat Washer	M10	3
16	6012048	Socket Head Cap Screw	M10 x 1.5P x 20L	1
17	6012049	Socket Head Cap Screw	M8 x 1.25P x 20L	1
18	6012050	Sprocket		1
19	6292789	Oil Plug		2
20	33-1051-00-1	Oil Seal		1
21	6012051	Shaft		1
22	6012052	S-Ring		1
23	6292745	Key	5 x 5 x 16	2
24	6012053	Shaft		1
25	6012054	Gear		1
26	6012055	Shaft		1
27	6012056	Gear		1
28	6012057	Gear Assembly		1
29	6012058	Set Screw	M5 x 0.8P x 5L	1
30	6012059	Spring Pin		1
31	6012060	Shift Fork		1
32	6012061	Lever		1
33	6012062	E-Ring		1
34	6012063	Shift Shaft		1
35	6012064	Eye Glass Oil Level		1
36	6012065	Spring Pin		1
37	6012066	Socket Head Cap Screw	M8 x 1.25P x 25L	4
38	6012067	Spring Washer	M8	5
39	6012082	Shaft		1
40	6012286	Idle Sprocket		1
41	6012287	Bracket		1
42	6012079	Hex Nut	M10 x 1.5P	1
43	6012288	Stand Off		1
44	6012289	Check Nut	M10 x 1.5P	1
45	6012290	E-Ring		1
46	6012291	Spring		1
47	6012292	Stand Off		1
48	TS-1550061	Flat Washer	M8	1

# JWP-201 Cutterhead Assembly

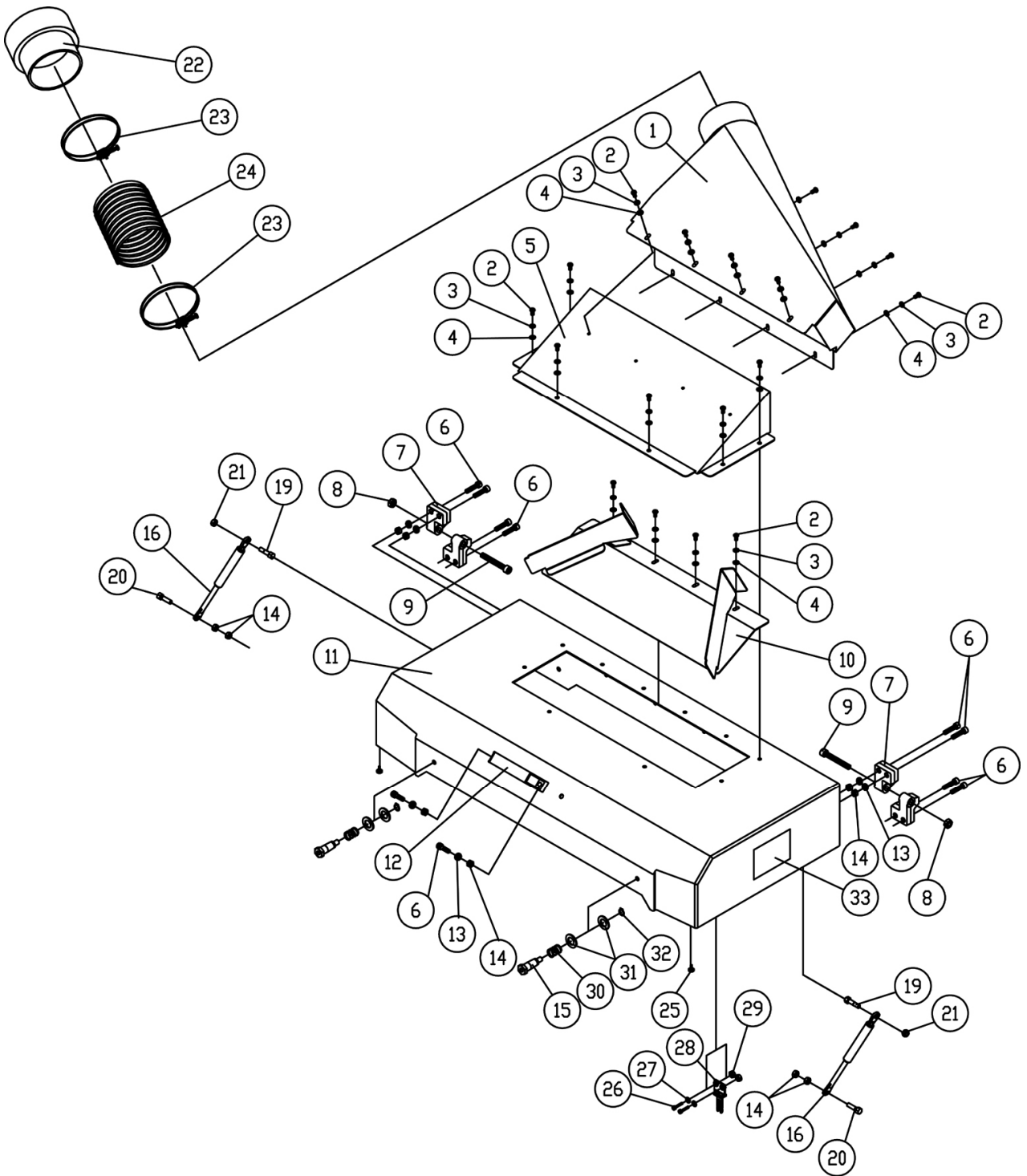


## JWP-201 Cutterhead Assembly

Index No.	Part No.	Description	Size	Qty.
1	6012131	Socket Head Cap Screw	M10 x 1.5P x 75L	2
2	6012080	Flat Washer	M10	10
3	6012132	Spring		2
4	6012133	Socket Head Cap Screw	M10 x 1.5P x 50L	2
5	6012079	Hex Nut	M10 x 1.5P	8
6	6012134	Pressure Bar Casting		1
7	6012048	Socket Head Cap Screw	M10 x 1.5P x 20L	2
8	6012135	Washer		2
9	6012136	Sprocket		3
10	6012137	Chain, #40 x 60pcs (infeed roll to outfeed roll)		1
11	6012138	Socket Head Cap Screw	M6 x 1.0P x 16L	8
12	6012139	Plate		4
13	6012140	Set Screw	M8 x 1.25P x 25L	4
14	6012097	Hex Nut	M8 x 1.25P	4
15	6012141	Bearing Housing		4
16	6012104	Key	8 x 7 x 18	1
17	6012143	Outfeed Roller		1
18	6012144	Needle Bearing	NA-6906	4
19	6012048	Socket Head Cap Screw	M10 x 1.5P x 20L	7
20	6012116	Washer		1
21	6012145	Belt	A83	2
22	6012146	Cutterhead Pulley		1
23	6012147	Bushing		1
24	6012148	R-Ring		1
25	6012149	Ball Bearing	6209-2NSE	1
26	6012150	Set Screw	M8 x 1.25P x 10Lg	8
27	6012151	Cutterhead Casting Left		1
28	6012152	Shaft		2
29	6012153	Shaft		2
30	6012154	Cutterhead		1
31	6012155	Ball Bearing	6007-2NSE	1
32	6012156	Socket Head Cap Screw	M10 x 1.5P x 35L	6
33	6012157	Spring Washer	M10	4
34	6012158	Cutterhead Casting Right		1
35	6012159	Screw	M5 x 0.8P x 12L	12
36	6012160	Knife Gib		4
37	6012161	Washer		8
38	6012162	Spring		2
39	6012163	Shaft		4
40	TS-1524021	Set Screw	M8 x 1.25P x 10	4
41	6012164	Spacer		2
42	6012165	Key	8 x 7 x 30	1
43	6012166	Infeed Shaft		1
44	6012167	Infeed Roller		22
45	6012168	Shaft		132
46	6012169	Spring		132
47	6012170	Shaft		2
50	6012172	Shaft		2
51	6012173	Bracket, Left Hand		1

<b>Index No.</b>	<b>Part No.</b>	<b>Description</b>	<b>Size</b>	<b>Qty.</b>
52	6012174	Sectional Chipbreaker		10
53	6012175	Spring		10
54	6012176	Bracket, Right Hand		1
55	6012177	Spacer		39
56	6012178E	Anti-Kickback Finger		30
57	6012179	Knife (set of 4)		1
58	6012180	Gib Screw		32
59	6012273	Spring		2
60	6012274	Chain #40 x 72 pcs (gearbox to outfeed roll)		1
61	6012275	Shaft		1
62	6012276	Idle Sprocket		1
63	6012277	Bracket		1
64	6012278	Shaft		1
65	6012279	Check Nut	M8 x 1.25P	1
66	6012083	Flat Washer	M8	1
67	6012280	Socket Head Cap Screw	M8 x 1.25P x 50L	1
68	6012281	Spring		1
69	6012097	Hex Nut	M8 x 1.25P	2
70	6012296	Spring		8
71	6012295	Knife Setting Gauge		1

# JWP-201 Top Cover Assembly

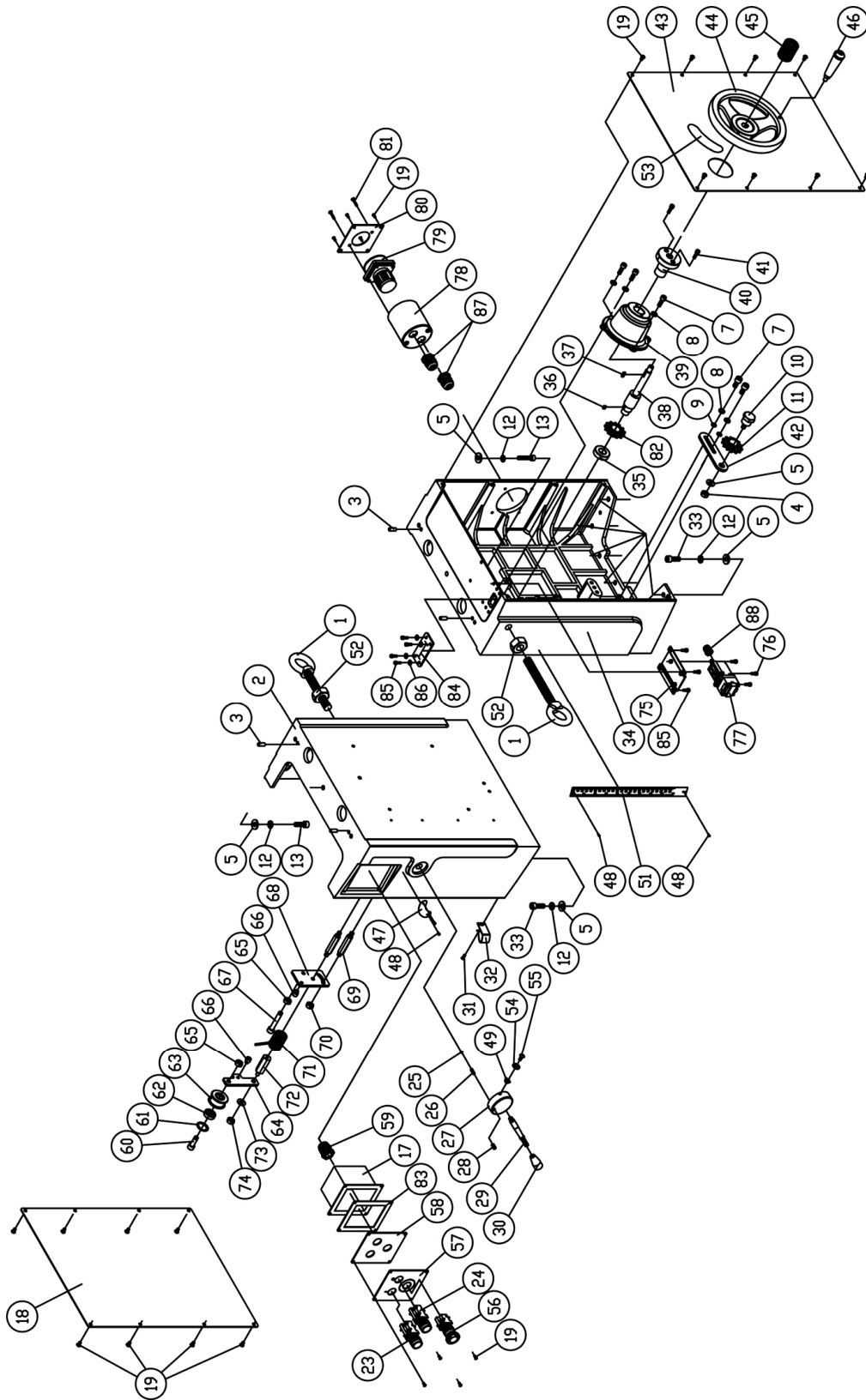


## JWP-201 Top Cover Assembly

Index No.	Part No.	Description	Size	Qty.
1	6012181	Dust Hood		1
2	6012091	Screw	M6 x 1.0P x 10L	18
3	6012182	Spring Washer	M6	18
4	6012183	Flat Washer	M6	18
5	6012184	Upper Cover		1
6	6012066	Socket Head Cap Screw	M8 x 1.25P x 25L	10
7	6012185	Cast Hinge Half		4
8	6012079	Hex Nut	M10 x 1.5P	2
9	6012186	Socket Head Cap Screw	M10 x 1.5P x 60L	2
10	6012187	Deflection Plate		1
11	6012188	Top Cover		1
12	6012189	Handle		1
13	6012067	Lock Washer	M8	6
14	6012097	Hex Nut	M8 x 1.25P	10
15	6012190A	Special Screw		2
16	6012191	Cylinder		2
19	6012283	Shoulder Screw		2
20	6012284	Shoulder Screw		2
21	6012285	Check Nut	M8 x 1.25P	2
22	WP2510-324E	Adaptor		1
23	WP2510-325E	Retainer		2
24	WP2510-326E	Hose		1
25	WP2510-316	Pad		2
26	TS-1501051	Socket Head Cap Screw	M4x16	2
27	TS-1550021	Flat Washer	M4	2
28	JWP201-328AE	Safety Key		1
29	TS-1540021	Hex Nut	M4	2
30	JWP201-330E	Spring		2
31	JWP201-331E	Special Washer		4
32	JWP201-332EA	Retainer Ring		2
33	JWP201-333E	Running Direction Label		1



# JWP-201 Column Assembly

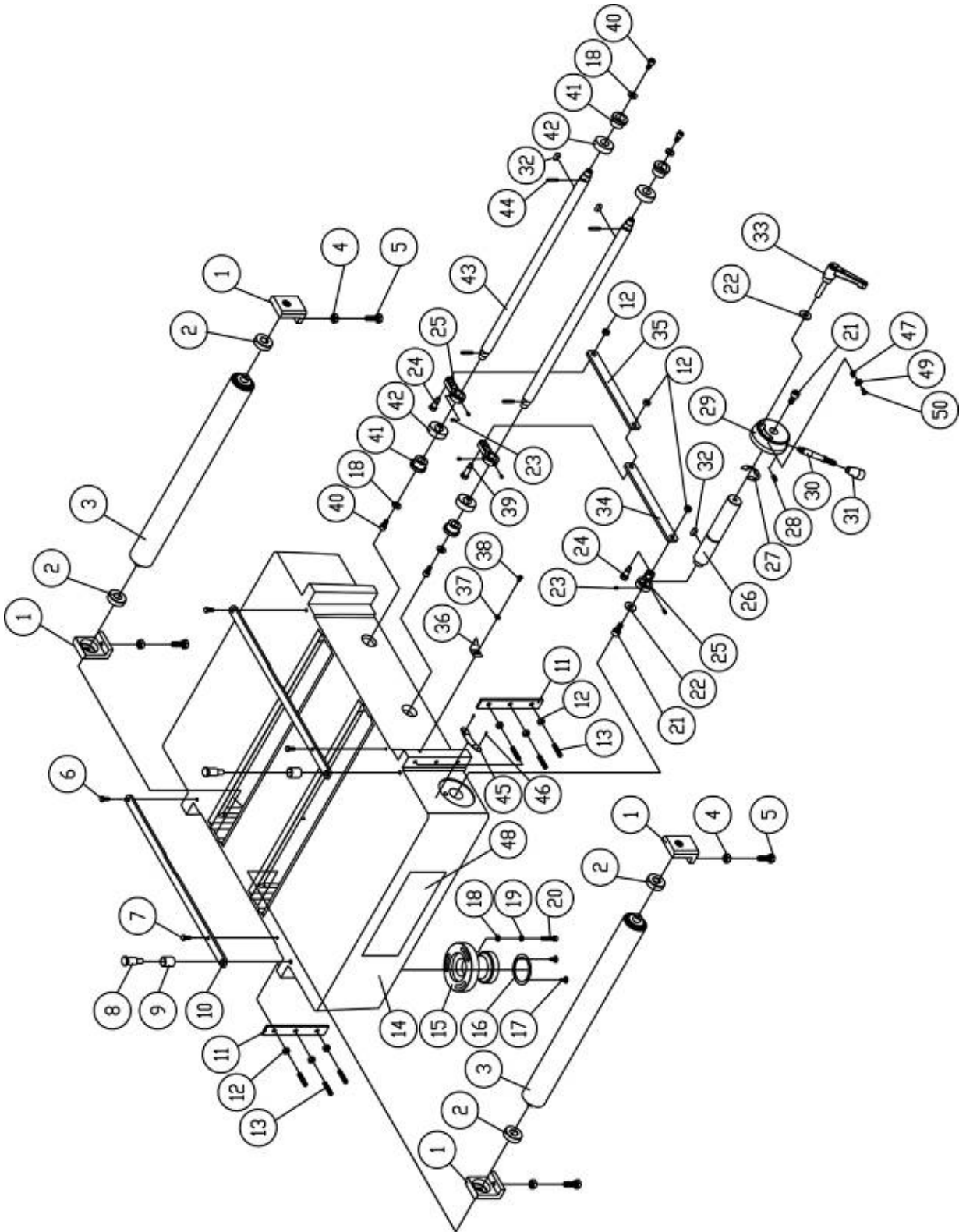


## JWP-201 Column Assembly

Index No.	Part No.	Description	Size	Qty.
1	6012193	Lifting Eye	M20 x 2.5P x 30L	2
2	6012194	Left Column		1
3	6012195	Pin		4
4	6012079	Hex Nut	M10 x 1.5P	1
5	6012080	Flat Washer	M10	17
7	6012066	Socket Head Cap Screw	M8 x 1.25P x 25L	6
8	6012067	Spring Washer	M8	6
9	6012083	Flat Washer	M8	2
10	6012082	Shaft		1
11	6012197	Sprocket		1
12	6012157	Spring Washer	M10	16
13	6012198	Socket Head Cap Screw	M10 x 1.5P x 40L	2
17	6012202AE	Switch Box		1
18	6012203	Left Sidecover		1
19	6012091	Socket Head Button Screw	M6 x 1.0P x 10L	24
23	6012207	Stop Switch, S3		1
24	6012208	Start Switch, S2		1
25	6012209	Ball Detent		1
26	6012210	Spring		1
27	6012211	Shifter Hub		1
28	6012212	Set Screw	M6 x 1.0P x 12L	1
29	6012213	Shaft		1
30	6012214	Handle		1
31	6012087	Screw	M5 x 0.8P x 10L	4
32	6012088	Cord Clip		4
33	6012156	Socket Head Cap Screw	M10 x 1.5P x 35L	14
34	6012215	Right Column		1
35	6012216	Ball Bearing	6004ZZ	1
36	6293370	Key	5 x 5 x 10	1
37	6292745	Key	5 x 5 x 16	1
38	6012217	Shaft		1
39	6012218	Housing		1
40	6012219	Sleeve		1
41	6012220	Socket Head Cap Screw	M6 x 1.0P x 16L	2
42	6012221	Rocker Arm		1
43	6012222	Right Cover		1
44	6012223	Handwheel		1
45	6012224	Lock Knob		1
46	6012225	Handwheel Swivel Assembly		1
47	6012226	Label Shifter		1
48	6012227	Rivet		4
49	6012228	Pointer		1
51	6012230	Scale		1
52	6012293	Hex Nut	M20 x 2.5	2
53	6012231	Height Adjust Label		1
54	6012201	Flat Washer	M4	1
55	6012232	Screw	M4 x 0.7P x 8L	1
56	WP2510-724AE	E-Stop Switch, S1		1
57	JWP201-457	Button Support Plate Label		1
58	JWP201-458	Button Support Plate		1

Index No.	Part No.	Description	Size	Qty.
59	JWP201-459	Strain Relief		1
	WP2510-IA	Idler Assembly (Items #60 thru #74 )		1
60	TS-1505041	Socket Head Cap Screw	M10 x 1.5P x 30	1
61	WP2510-462	C-Ring		1
62	BB-6200ZZ	Ball Bearing	6200ZZ	1
63	WP2510-456	Idler		1
64	WP2510-457	Idler Bracket		1
65	TS-2311101	Hex Nut	M10 x 1.5P	2
66	WP2510-465	Socket Head Cap Screw	M8 x 1.25P x 8	2
67	TS-1505101	Socket Head Cap Screw	M10 x 1.5P x 60	1
68	WP2510-459	Plate		1
69	JWP201-469	Bolt		2
70	TS-1540031	Hex Nut	5/16-18	1
71	WP2510-458	Spring		1
72	JWP201-472	Bolt		1
73	TS-1540071	Flat Washer	M10	1
74	TS-1540061	Hex Nut	M8	1
75	JWP201-475	Limit Switch Plate		1
76	TS-1502021	Socket Head Cap Screw	M5 x 0.8P x 10	7
77	WP2510-418AE	Limit Switch, LS		1
78	JWP201-478E	Main Power Switch Box		1
79	WP2510-734AE	Main Power Switch, QS		1
80	JWP201-480	Main Power Switch Plate		1
81	JWP201-481	Socket Head Flat Screw	M4 x 0.7P x 25	2
82	6012197	Sprocket		1
83	JWP201-483	Gasket		1
84	JWP201-484	Gasket		1
85	TS-1503021	Socket Head Cap Screw	M6 x 1.0P x 10	8
86	TS-1550041	Flat Washer	M6	4
87	JWP201-487AE	Strain Relief	AG20	2
87	JWP201-488AE	Strain Relief	PGA13.5	1

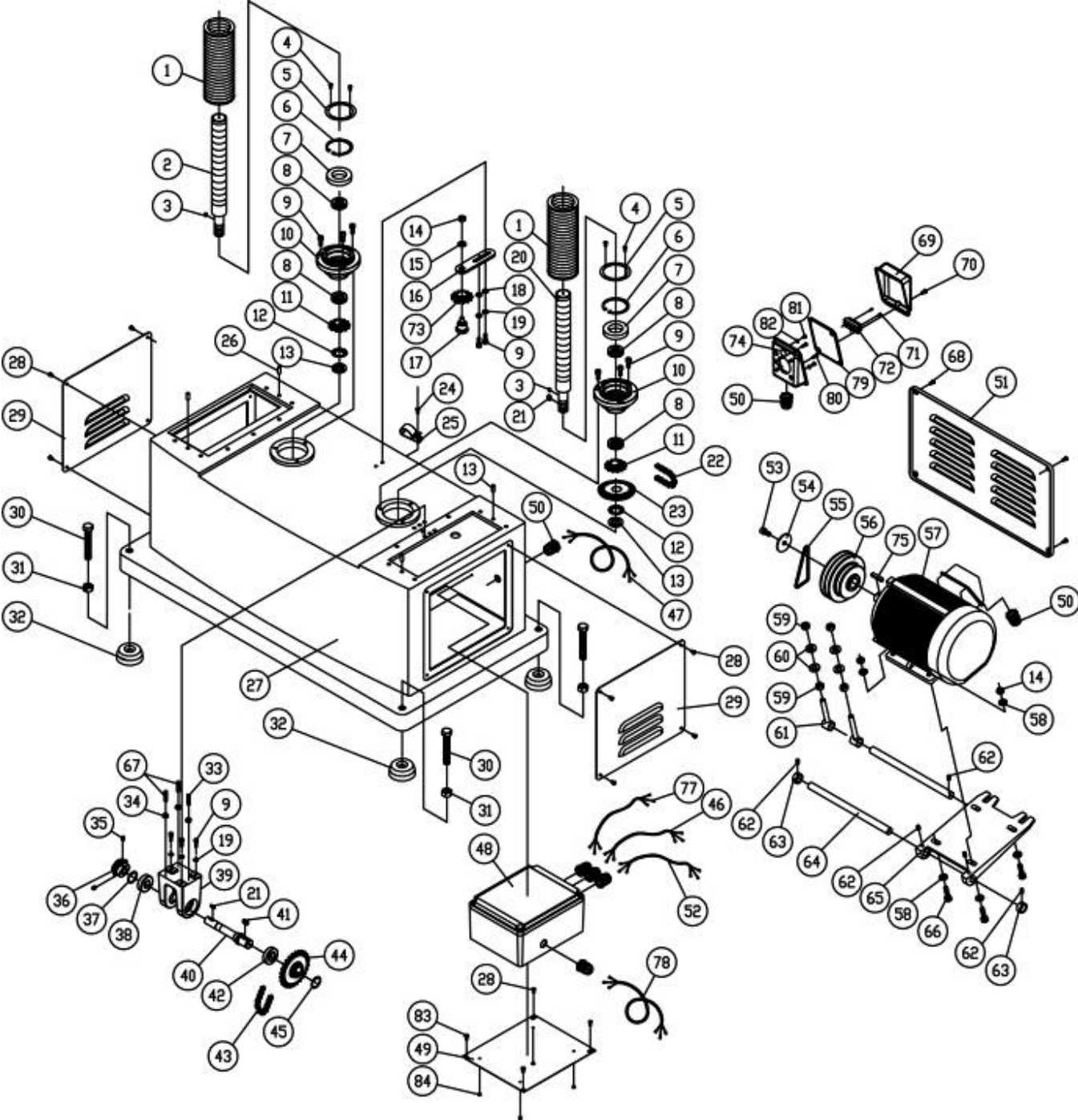
# JWP-201 Table Assembly



## JWP-201 Table Assembly

Index No.	Part No.	Description	Size	Qty.
1	6012233	Bracket		4
2	BB-6203ZZ	Ball Bearing	6203-ZZ	4
3	6012234	Roller Assembly		2
4	6012079	Hex Nut	M10 x 1.5P	4
5	6012235	Hex Screw	M10 x 1.5P x 30L	4
6	6012236	Hex Screw	M8 x 1.25P x 16L	2
7	6012237	Hex Screw	M6 x 1.0P x 16L	2
8	6012238	Hex Screw	M10 x 1.5P x 50L	2
9	6012239	Pointer		2
10	6012240	Plate		2
11	6012241	Plate		2
12	6012097	Hex Nut	M8 x 1.25P	9
13	6012242	Set Screw	M8 x 1.25P x 35L	6
14	6012243	Table		1
15	6012244	Table Adjusting Hub		2
16	6012245	Bushing		2
17	6012070	Screw w/Washer	M4 x 0.7P x 8L	4
18	6012083	Flat Washer	M8	10
19	6012067	Spring Washer	M8	6
20	6012246	Socket Head Cap Screw	M8 x 1.25P x 40L	6
21	6012048	Socket Head Cap Screw	M10 x 1.5P x 20L	2
22	6012080	Flat Washer	M10	2
23	6012098	Set Screw	M5 x 0.8P x 5L	6
24	6012247	Special Screw		2
25	6012248	Linking Plate		3
26	6012249	Shaft		1
27	6012250	E-Ring		1
28	6012251	Set Screw	M6 x 1.0P x 12L	1
29	6012252	Hub		1
30	6012213	Shaft		1
31	6012214	Handle		1
32	6293370	Key	5 x 5 x 10	3
33	6012253	Handle		1
34	6012254	Fixing Plate		1
35	6012255	Fixing Plate		1
36	6012256	Pointer		1
37	6012257	Flat Washer	M5	1
38	6012087	Screw	M5 x 0.8P x 10L	1
39	6012258	Special Screw		1
40	6012259	Socket Head Cap Screw	M8 x 1.25P x 16L	4
41	6012260	Shaft		4
42	6012261	Cam		4
43	6012262	Transfer Rod		2
44	6012263	Spring Pin		4
45	6012264E	Label		1
46	6012227	Rivet		2
47	6012228	Pointer		1
48	6012265E	Name Label		1
49	6012201	Flat Washer	M4	1
50	6012232	Screw	M4 x 0.7P x 8 L	1

JWP-201 Base Assembly



## JWP-201 Base Assembly

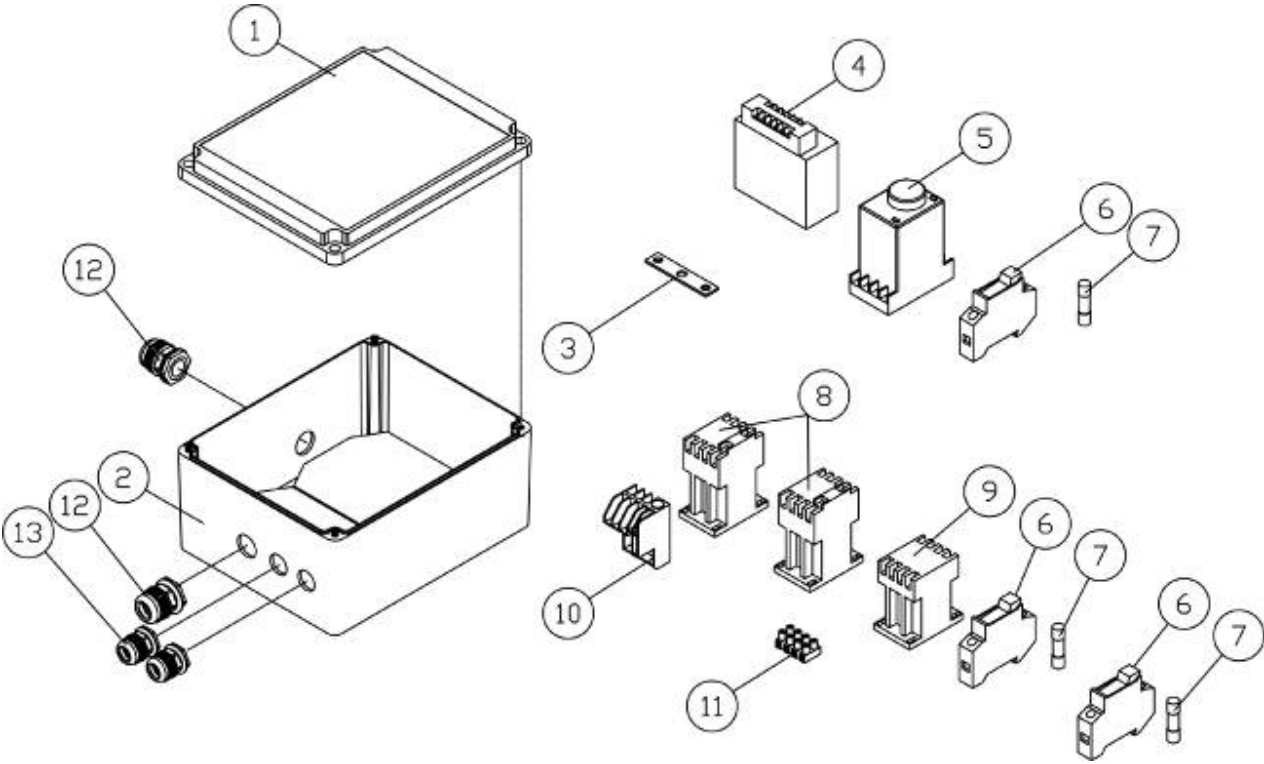
Index No.	Part No.	Description	Size	Qty.
1	6012068	Rubber Boot		2
2	6012069	Lead Screw		1
3	6293370	Key	5 x 5 x 10	2
4	6012070	Screw w/ Washer	M4x0.7Px8L	4
5	6012071	Bushing		2
6	6012072	R-Ring		2
7	6012073	Ball Bearing	6008-2NSE	2
8	6012074	Bearing	51105	4
9	6012066	Socket Head Cap Screw	M8 x 1.25P x 25L	11
10	6012075	Bracket		2
11	6012076	Sprocket		3
12	6012077	Washer		2
13	6012078	Hex Nut	M25 x 1.5P	2
14	6012079	Hex Nut	M10 x 1.5P	5
15	6012080	Flat Washer	M10	1
16	6012081	Rocker Arm		1
17	6012082	Shaft		1
18	6012083	Flat Washer	M8	2
19	6012067	Spring Washer	M8	5
20	6012084	Lead Screw		1
21	6292745	Key	5 x 5 x 16	2
22	6012085	Chain, #40 x 79pcs		1
23	6012086	Bevel Gear		1
24	6012087	Screw	M5 x 0.8P x 10L	4
25	6012088	Strain Relief Clip		4
26	6012089	Pin		4
27	6012090EA	Base		1
28	6012091	Screw	M6 x 1.0P x 10L	10
29	6012092	Cover		2
30	6012093	Special Hex Screw		4
31	6012094	Hex Nut	M16 x 2.0P	4
32	6012095	Foot		4
33	6012096	Set Screw	M8 x 1.25P x 30L	1
34	6012097	Hex Nut	M8 x 1.25P	3
35	6012098	Set Screw	M5 x 0.8P x 5L	2
36	6012099	Bevel Gear		1
37	6012100	S-Ring		1
38	6012101	Ball Bearing	6204-ZZ	1
39	6012102	Support Block		1
40	6012103	Shaft		1
41	6012104	Key	8 x 7 x 18	1
42	6012105	Ball Bearing	6005-ZZ	1
43	6012106	Chain, #40 x 107pcs		1
44	6012107	Sprocket		1
45	6012052	S-Ring		1
46	6012109AE	Connection Cord		1
47	6012267AE	Cord, Main Power Switch to Junction Box		1
48	JWP201-648AE	Electric Box Assembly		1
49	JWP201-649	Switch Plate		1

Index No.	Part No.	Description	Size	Qty.
51	6012114	Cover		1
52	6012266AEA	Motor Cord		1
53	6012048	Socket Head Cap Screw, M10 x 1.5P x 20Lg.		1
54	6012116	Washer		1
55	6012117	Belt	A57	1
56	6012118AE	Motor Pulley		1
57	6012109	Motor	7.5HP 3Ph 400V	1
58	6012120	Flat Washer	M10	8
59	6012121	Hex Nut	M12 x 1.75P	4
60	6012122	Flat Washer	M12	4
61	6012123	Adjusting Bolt		2
62	6012124	Set Screw	M8 x 1.25P x 12L	5
63	6012125	Spacer		2
64	6012126	Shaft		2
65	6012127	Motor Plate		1
66	6012128	Hex Screw	M10 x 1.5P x 40L	4
67	6012129	Set Screw	M8 x 1.25P x 20L	2
68	6012130	Flat Head Screw	M6 x 1.0P x 20L	4
69	6012269	Terminal Cover		1
70	6012270	Screw,	3/16-24 x 1/4	1
71	JWP201-671E	Screw	M3 x 0.5P x 15L	2
72	6012272E	Terminal Plate		1
73	6012076	Sprocket		1
74	JWP201-674E	Junction Box		1
75	JWP201-675	Key	8 x 7 x 40	1
77	JWP201-677AE	Limit Switch Cord		1
78	JWP201-678AE	Cord, Magnetic Switch to Main Power Switch		1
79	JWP201-679AE	Gasket		1
80	JWP201-680	Screw	M5 x 0.8P x 20	2
81	JWP201-681	Screw	M5 x 0.8P x 6	2
82	JWP201-682	Star Washer	M5 x 6	2
83	JWP201-683	Shoulder Screw		2
84	JWP201-684	Self-Tapping Screw	M4 x 8	2



### JWP-201 Electric Box Assembly

Index No.	Part No.	Description	Size	Qty.
.....	JWP201-648AE.....	Electric Box Assembly (1-13).....		1
1.....	JWP201-701.....	Electric Box Cover.....		1
2.....	JWP201-702.....	Electric Box.....		1
3.....	JWP201-703.....	Grounding Terminal Plate.....		1
4.....	JWP201-704.....	Transformer, TR.....		1
5.....	JWP201-705.....	Timer, TM.....		1
6.....	JWP201-706.....	Fuse Base, F1, F2, F3.....		3
7.....	JWP201-707.....	Fuse, F1, F2, F3.....		3
8.....	JWP201-708.....	Contactor, KM1, KM2.....	MA-18.....	2
9.....	JWP201-709.....	Contactor, KM3.....	MA-15.....	1
10.....	JWP201-710.....	Overload, OL.....		1
11.....	JWP201-711.....	Terminal Plate.....		1
12.....	JWP201-712.....	Strain Relief.....	PGA16.....	2
13.....	JWP201-713.....	Strain Relief.....	PGA13.5.....	2



**JWP-201  
1791280T  
400/50/3**

	colour of strands	Litzenfarben	couleur des cordons
BK	black	schwarz	noir
WH	white	weiß	blanc
BU	blue	blau	bleu
YE	yellow	gelb	jaune
RD	red	rot	rouge
BN	brown	braun	brun
GY	grey	grau	gris
GNYE	green-yellow	grün-gelb	vert-jaune
OG	orange	orange	orange
VT	violet	violett	violet

	meaning of symbol	Bedeutung der Zeichen	interprétation
M	motor	Motor	moteur
KM1	magnetic switch	Hauptschütz	contacteur principale
KM2	magnetic switch	Schütz	contacteur
KM3	magnetic switch	Schütz	contactreur
F1	fuse	Sicherung	fusible
F2	fuse	Sicherung	fusible
F3	fuse	Sicherung	fusible
S1	e-stop	Not-Aus Taster	bouton arret d'urgence
S2	on switch	Ein Taster	bouton marche
S3	off switch	AusTaster	bouton arret
QS	Main switch	Hauptschalter	interrupteur principale
TR	transformer	Transformator	transformateur
OL	overload cut-off	Überlastschuttschalter	déclencheur surcharge
LS	limit switch	Positionsendschalter	micro
TM	Timer	Zeitrelais	contacteur de temp

**JWP-201**  
**1791280T**  
**400/50/3**

