

# **J E T**

**MCS-315**

**Miter Cold Saw**

**50000220M...230/50/1**

**50000220T...400/50/3**

## **PARTS LIST**

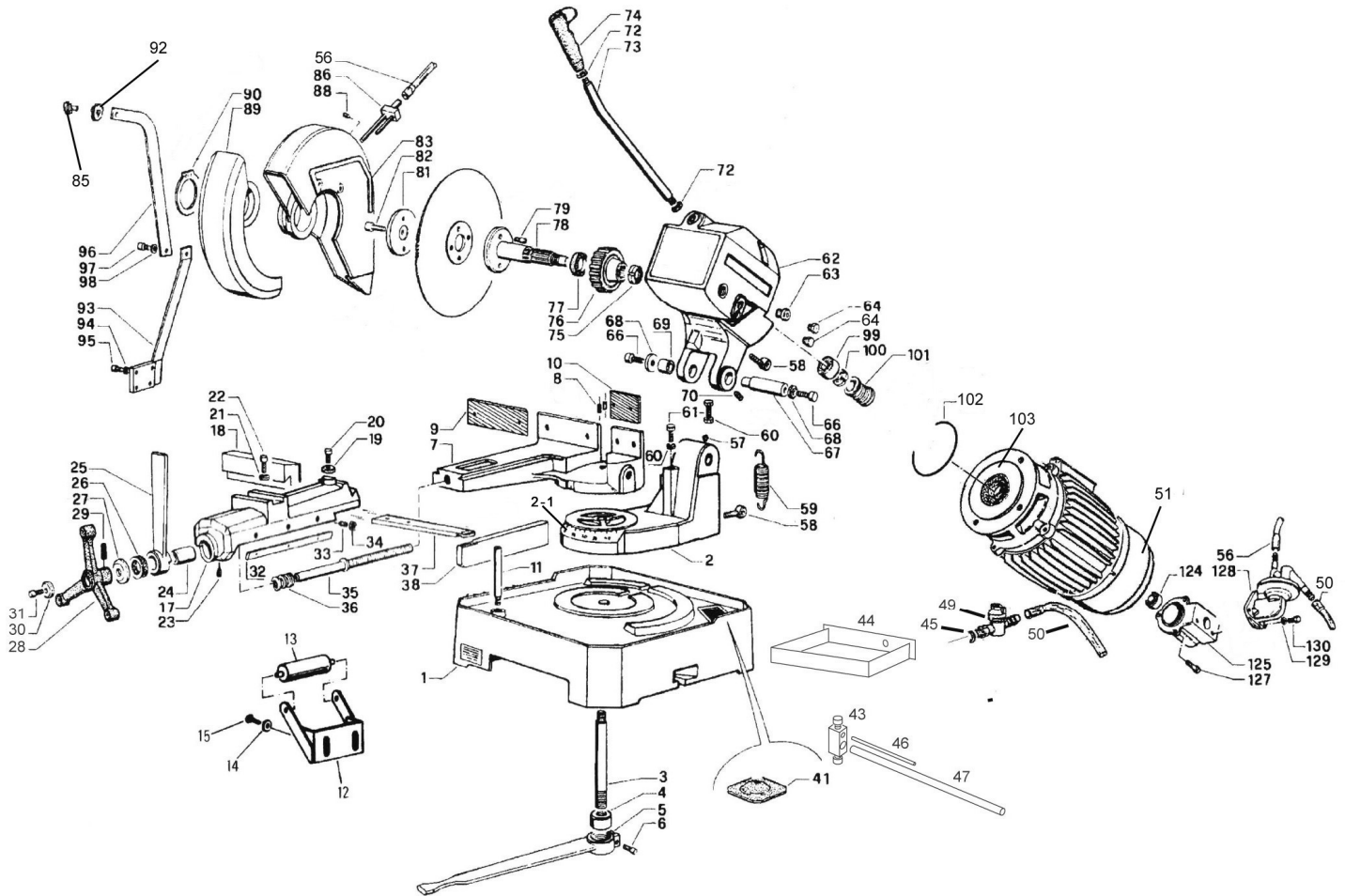
**Walter Meier (Fertigung) AG**  
Bahnstrasse 24  
8603 Schwerzenbach Switzerland  
Phone +41 44 806 47 48  
Fax +41 44 806 47 58  
[jetinfo.eu@waltermeier.com](mailto:jetinfo.eu@waltermeier.com)  
[www.jetwilton.com](http://www.jetwilton.com)



P-50000220M / 50000220T 2010/06/11

# Parts List for MCS-315 Miter Cold Saw

## Exploded view

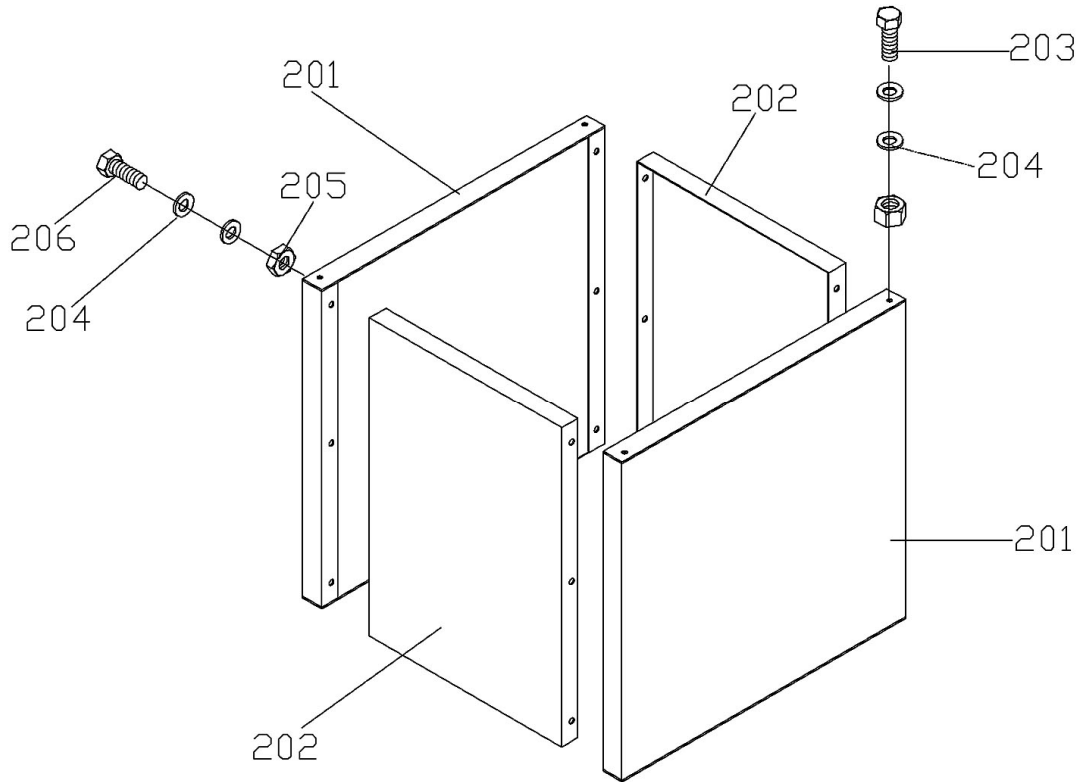


## Parts List for MCS-315 Miter Cold Saw

Index No.	Part No.	Description	Size	Qty
1	MCS315-001	Base		1
2	MCS315-002	Revolving Arm		1
2-1	MCS315-002-1	Scale		1
3	MCS315-003	Revolving Arm Locking Pin		1
4	MCS315-004	Revolving Arm Locking Bush		1
5	MCS315-005	Revolving Arm Locking Lever		1
6	TS-1504041	Socket Head Cap Screw	M8x20	1
7	MCS315-007	Counter Vice		1
8	TS-1524041	Socket Set Screw	M8x16	2
9	MCS315-009	Work- piece Support Plate (long)		1
10	MCS315-010	Work- piece Support Plate (short)		1
11	MCS275-111	Bar Stop		1
12	MCS315-012	Roller Support		1
13	MCS315-013	Roller		1
14	TS-1550061	Flat Washer	M8	1
15	TS-1490031	Hex Cap Screw	M8x20	1
17	MCS315-017	Counter Vice		1
18	MCS315-018	Vice Bracket		1
19	MCS275-115	Washer		1
20	TS-1506021	Socket Head Cap Screw	M12x25	1
21	MCS315-021	Washer		1
22	TS-1506021	Socket Head Cap Screw	M12x25	1
23	TS-1524061	Socket Set Screw	M8x25	1
24	MCS315-024	Bushing		1
25	MCS275-125	Vice Bar		1
26	MCS275-126	Bearing	51106	1
27	MCS275-127	Bearing Seat		1
28	MCS275-118	Vice Hand Wheel		1
29	MCS275-119	Spring Pin	ø6	1
30	TS-1550061	Flat Washer	M8	1
31	TS-1504041	Socket Head Cap Screw	M8x20	1
32	MCS315-032	Gib		1
33	TS-1524061	Socket Set Screw	M8x25	3
34	TS-2311081	Hex Nut	M8	3
35	MCS315-035	Lead Screw		1
36	MCS315-036	Spring		1
37	MCS315-037	Bracket		1
38	MCS315-038	Burr-Free Plate		1
41	MCS275-133	Tank Filter		1
43	MCS315-043	Bracket		1
44	MCS315-044	Tank		1
45	MCS315-045	Clamp		1
46	MCS315-046	Work Piece Stop Bar (Short)		1
47	MCS315-047	Work Piece Stop Bar Long)		1
49	MCS315-049	Coolant Tap		1
50	MCS315-050	Coolant Tube		1
51	MCS315-051E	Motor	230V, 1Ph	1
	MCS315-051AE	Motor	400V, 3Ph	1
56	MCS275-152	Coolant Tube		1
57	TS-1523051	Socket Set Screw	M6x16	2
58	MCS315-058	Hook		1
59	MCS315-059	Spring		1
60	TS-1404041	Hex Nut	M10	2
61	TS-1491050	Hex Cap Screw	M10x35	2
62	MCS315-062	Motor Head		1
63	MCS275-192	Oil Level-Drain Plug		1

Index No.	Part No.	Description	Size	Qty
64	MCS315-064	Oil Plug		2
66	TS-1515021	Socket Head Flat Screw	M8x20	2
67	MCS315-067	Shaft		1
68	MCS315-068	Flange		2
69	MCS315-069	Bushing		1
70	TS-1523061	Socket Set Screw	M6x20	2
72	TS-2310162	Hex Nut	M16	1
73	MCS315-073	Head Lever		1
74	MCS315-074	Handle		1
75	MCS315-075	Anti-Loose Nut		1
76	MCS315-076	Worm Gear		1
77	MCS315-077	Bushing		1
78	MCS315-078	Blade Shaft		1
79	MCS315-079	Blade Locking Pin		1
81	MCS315-081	Flange		1
82	MCS315-082	Socket Head Cap Screw	M12x30LH	1
83	MCS315-083	Fix Blade Guard		1
85	TS-1503021	Socket Head Cap Screw	M6x10	1
86	MCS315-086	Lead Coolant tube		1
88	TS-1503061	Socket Head Cap Screw	M6x25	1
89	MCS315-089	Mobil Guard		1
90	MCS315-090	E-ring	ø60	1
92	TS-1550041	Flat Washer	M6	1
93	MCS315-093	Tie Rod Support		1
94	TS-1550041	Flat Washer	M6	4
95	TS-1503061	Socket Head Cap Screw	M6x20	4
96	MCS315-096	Mobil Guard Rod		1
97	TS-1515021	Socket Head Cap Screw	M8x20	1
98	MCS315-098	Anti-Loose Nut	M8	1
99	BB-6301Z	Ball Bearing	6301Z	1
100	TS-1540100	Hex Nut	M16	1
101	MCS315-101	Worm Shaft		1
102	MCS315-102	O-ring		1
103	MCS315-103	Packing (not shown)		1
124	BB-609Z	Ball Bearing	609Z	1
125	MCS275-188	Pump Connection Box		1
127	TS-1501051	Socket Head Cap Screw	M4x16	3
128	MCS275-190	Coolant Pump		1
129	TS-1550041	Flat Washer	M6	2
130	TS-2286202	Pan Head Screw	M6x20	2

## Parts List for MCS-315 Miter Cold Saw Stand Assembly

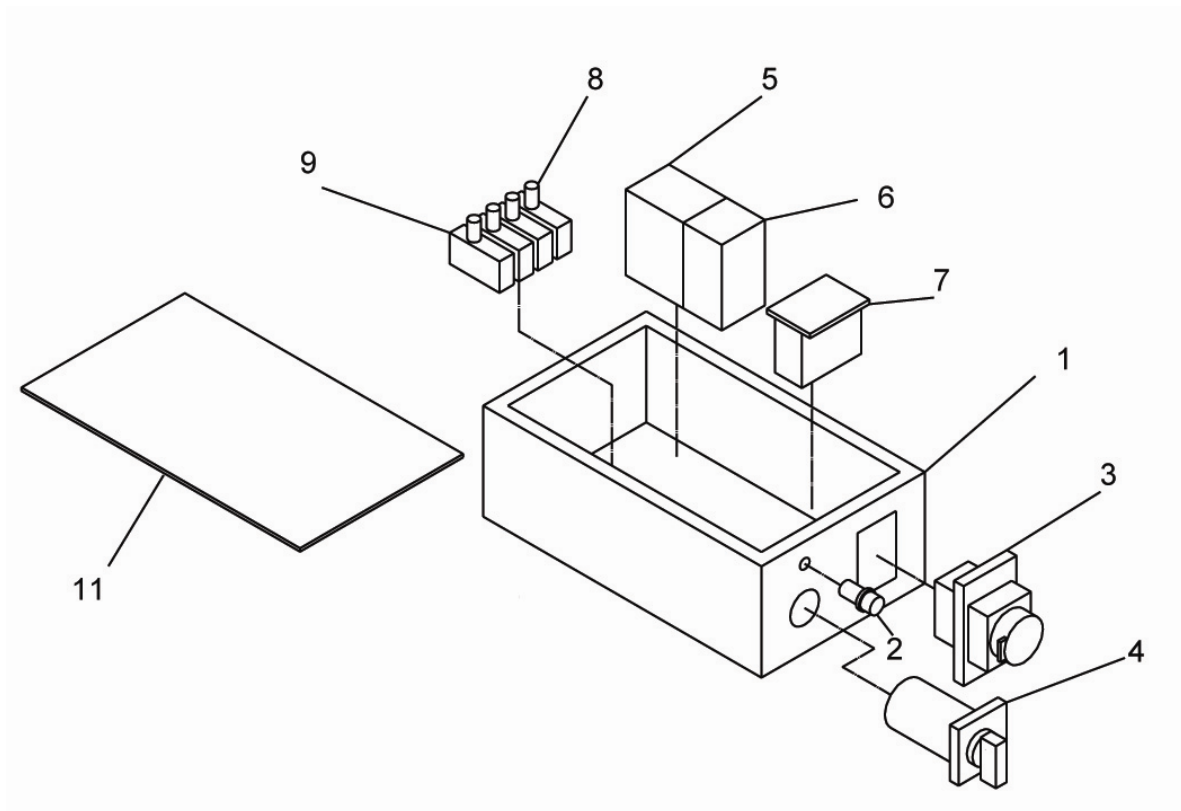


## Parts List for MCS-315 Miter Cold Saw Stand Assembly

Index No.	Part No.	Description	Size	Qty
201	MCS315-201	Front Panel		2
202	MCS315-202	Side Panel		2
203	TS-1490060	Hex Cap Screw	M8x35	4
204	TS-1550061	Flat Washer	M8	32
205	TS-2311081	Hex Nut	M8	16
206	TS-1490031	Hex Cap Screw	M8x20	12

## Part list and Breakdown for Electric Box

Index No.	Part No.	Description	Size	Qty
1	MCS315-1	Switch Box		1
2	MCS315-2M	Power Lamp (L)for 1PH	230V	1
	MCS315-2T	Power Lamp (L)for 3PH	400V	1
3	MCS315-3M	Electromagnetic switch(1ph)	KJD-12	1
	MCS315-3T	Electromagnetic switch(3ph)	KJD-18	1
4	MCS315-4	Select switch	3ph	1
5	MCS315-5	Magnetic Contactor (1Ph)		1
5	MCS315-5AE	Magnetic Contactor (3Ph)		1
6	MCS315-6	Overload Relay	1ph	1
	MCS315-6E	Overload Relay (range 2.8-4.3A)	3ph	1
7	MCS315-7	Transformer	230V	1
	MCS315-7AE	Transformer	400V	1
8	MCS-315-8T	Fuse (3ph)	8A	3
	MCS315-8M	Fuse (1ph)	15A	2
9	MCS315-9	Fuse(for Circuit)	1A	1
10	MCS315-10E	Power Cable(not show)	400V	1
	MCS315-10AE	Power Cable(not show)	230V	1
11	MCS315-11	Top Cover		1
	MCS315-140ESC	Starting Capacitor (not show)	250VAC, 150MFD	1
	MCS315-140ERC	Running Capacitor (not show)	440WVAC, 15MFD	1



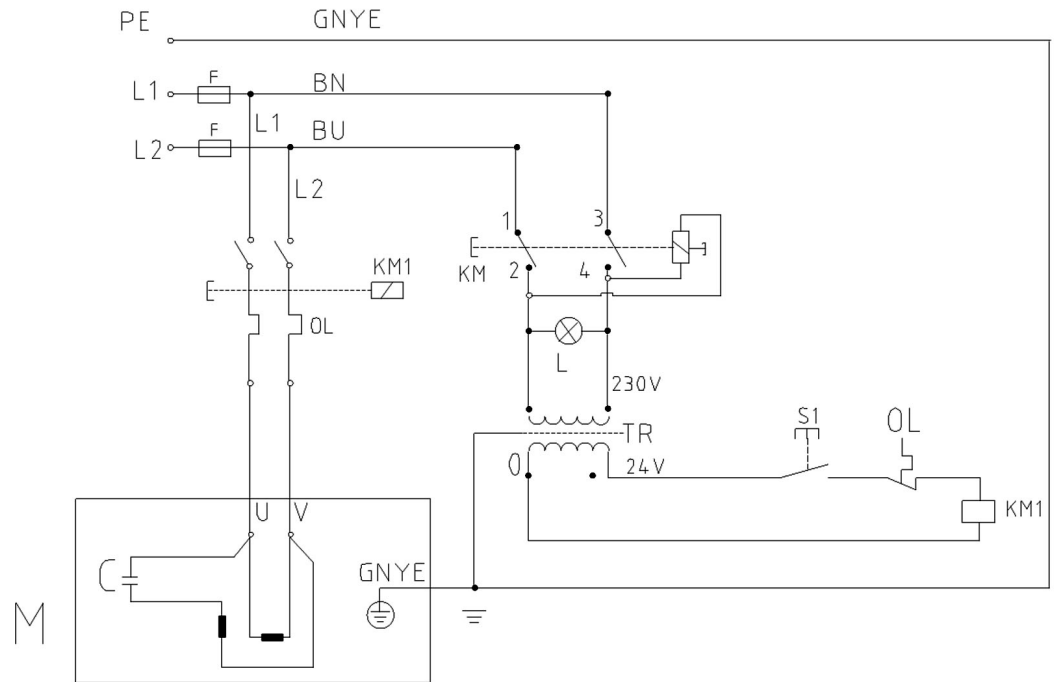
**MCS-315**

**50000220M**

**230/50/1**

	colour of strands	Litzenfarben	couleur des cordons
BK	black	schwarz	noir
WH	white	weiß	blanc
BU	blue	blau	bleu
YE	yellow	gelb	jaune
RD	red	rot	rouge
BN	brown	braun	brun
GYE	green-yellow	grün-gelb	vert-jaune

	meaning of symbol	Bedeutung der Zeichen	interprétation
M	motor	Motor	moteur
KM	contactor for main motor	Hauptschütz	contacteur moteur
S1	switch	Schalter	interrupteur
C	condenser	Kondensator	condensateur
F	fuse	Sicherung	fusible
OL	overload cut-off	Überlastschuttschalter	déclencheur surcharge
L	Power lamp		



**MCS-315**

**50000220T**

**400/50/3**

	colour of strands	Litzenfarben	couleur des cordons
BK	black	schwarz	noir
WH	white	weiß	blanc
BU	blue	blau	bleu
YE	yellow	gelb	jaune
RD	red	rot	rouge
BN	brown	braun	brun
GNYE	green-yellow	grün-gelb	vert-jaune

	meaning of symbol	Bedeutung der Zeichen	interprétation
M	motor	Motor	moteur
KM	contactor for main motor	Hauptschütz	contacteur moteur
S1	switch	Schalter	interrupteur
C	condenser	Kondensator	condensateur
F	fuse	Sicherung	fusible
OL	overload cut-off	Überlastschuttschalter	déclencheur surcharge
L	Power lamp	Energie Lampe	Commutateur à came

