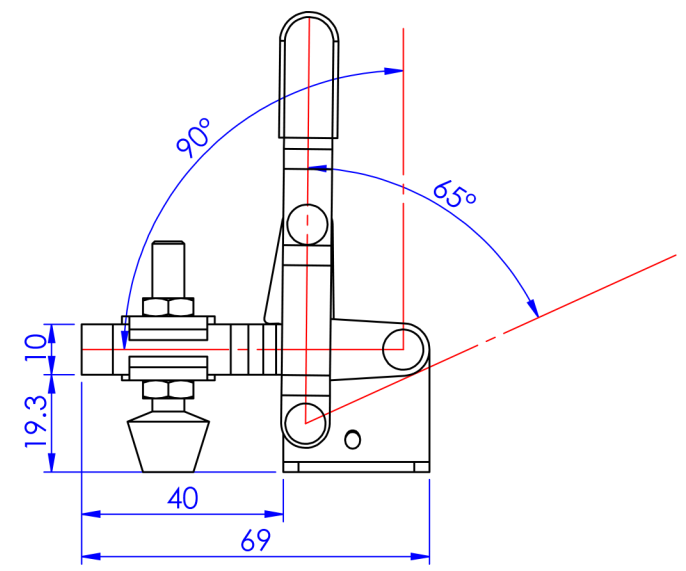
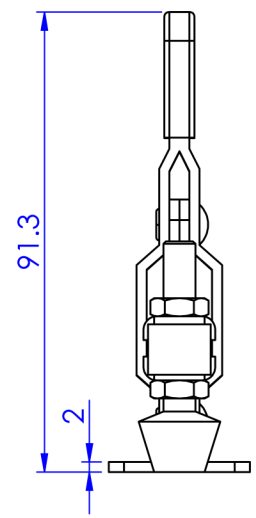
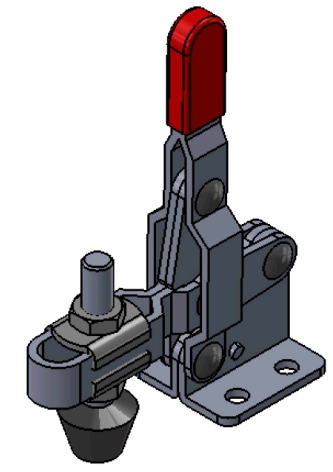
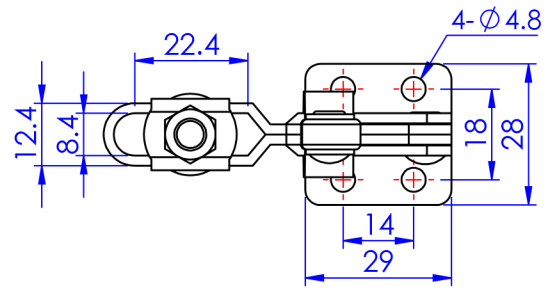


Part No:	GH-102-B
Holding Capacity:	100Kg
Bar Opens:	90°
Handle Opens:	65°
Weight:	0.11Kg
Spindle Supplied:	FC-064410
Flanged Washers:	FW-142



Unit:mm
Scale: 1:1.5

TITLE:	
DWG NO.	GH-102-B
A4	