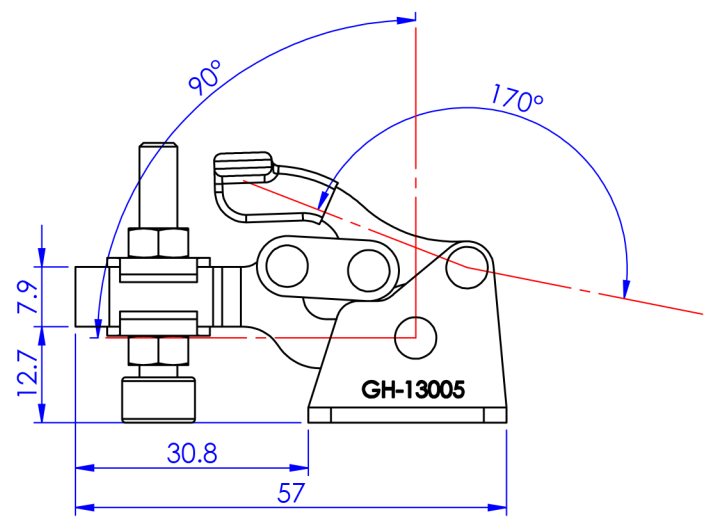
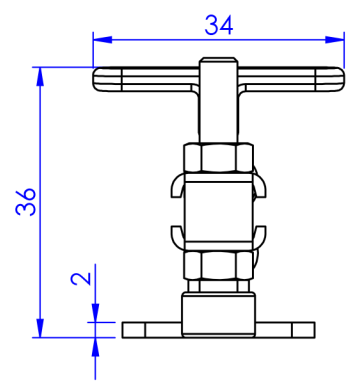
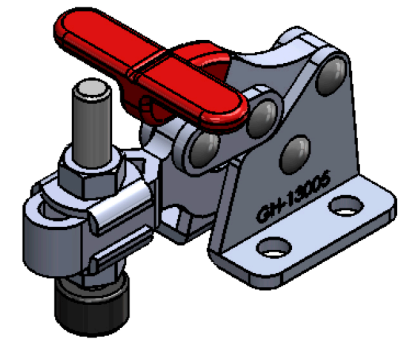
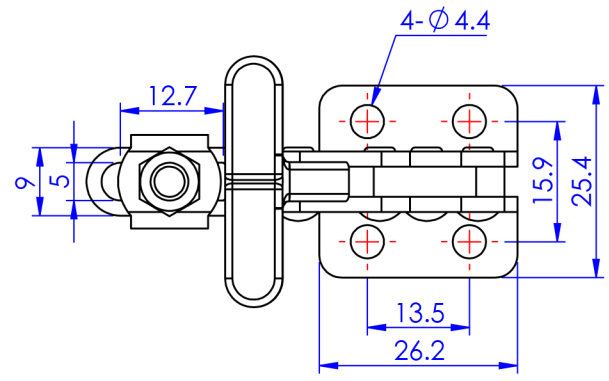


Part No:	GH-13005
Holding Capacity:	68Kg
Bar Opens:	90°
Handle Opens:	170°
Weight:	0.06Kg
Spindle Supplied:	FC-053708-LP
Flanged Washers:	FW-100



Unit:mm
Scale: 1:1

TITLE:	
DWG NO.	GH-13005
A4	