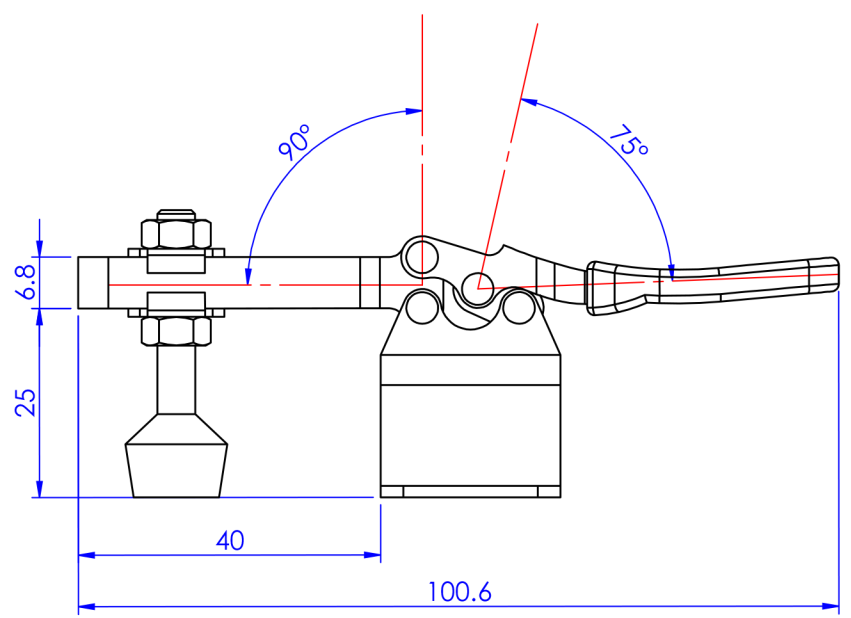
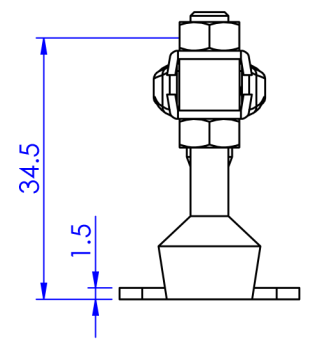
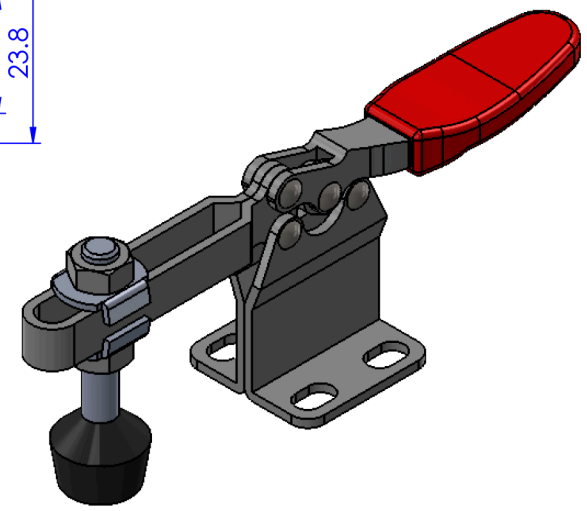
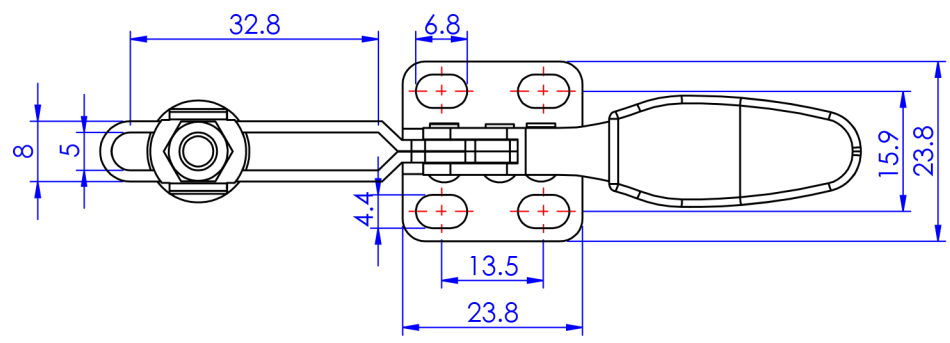


Part No:	GH-201-H
Holding Capacity:	40Kg
Bar Opens:	90°
Handle Opens:	75°
Weight:	0.06Kg
Spindle Supplied:	FC-053808
Flanged Washers:	FW-081



Unit:mm
Scale: 1:1

TITLE:	
DWG NO.	GH-201-H
A4	