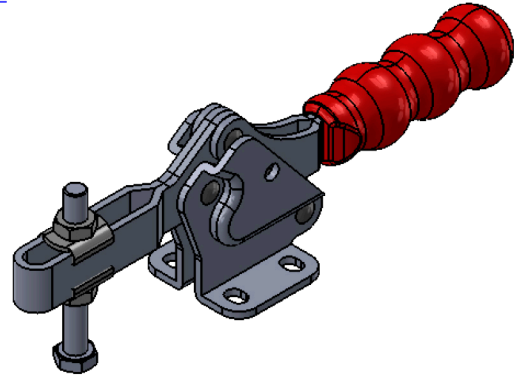
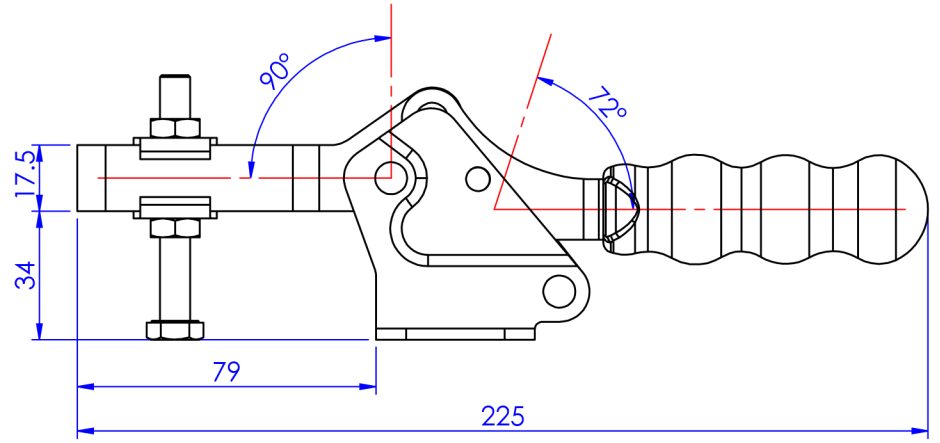
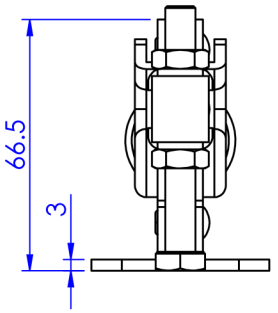
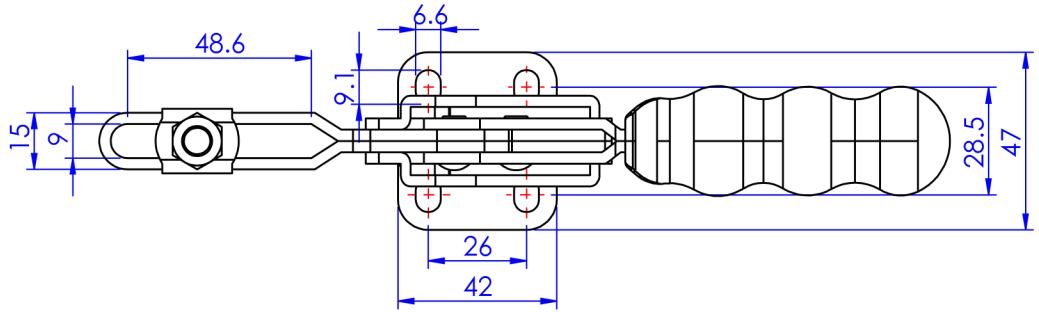


Part No:	GH-22502-B
Holding Capacity:	250Kg
Bar Opens:	90°
Handle Opens:	72°
Weight:	0.44Kg
Spindle Supplied:	SA-086512
Flanged Washers:	FW-516



Unit:mm  
Scale: 1:2

TITLE:	
DWG NO.	GH-22502-B
	A4