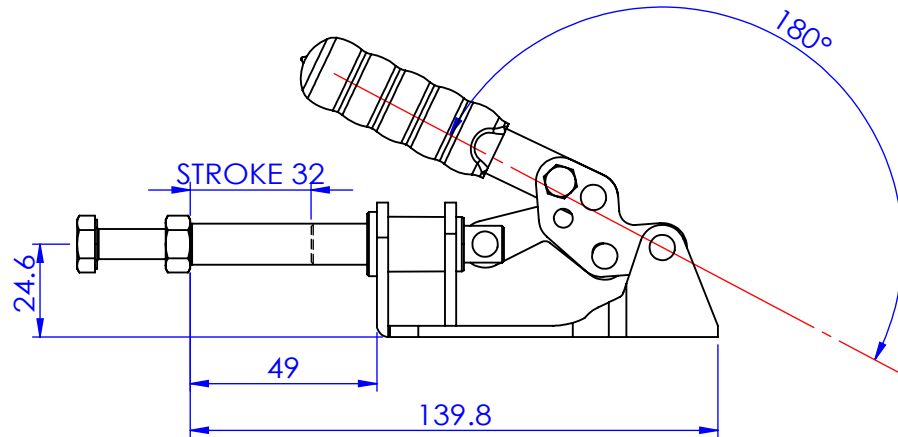
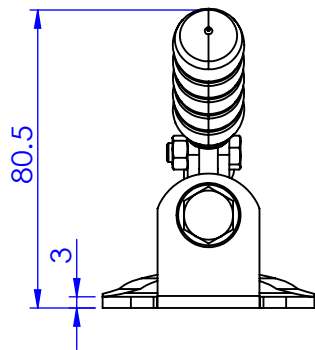
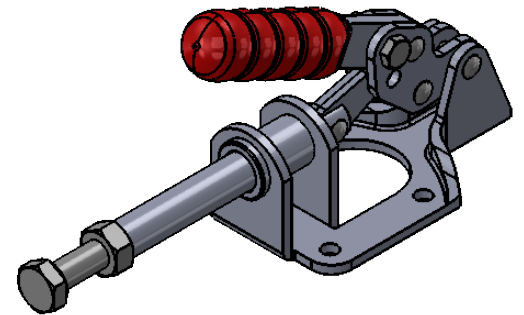
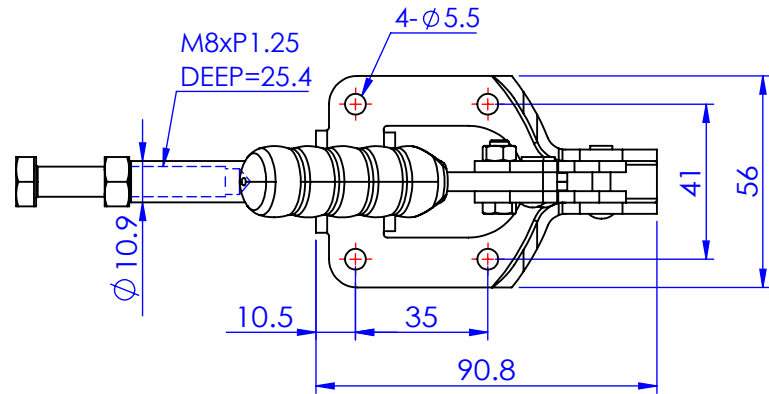


Part No:	GH-302-FM
Holding Capacity:	136Kg
Plunger Stroke:	32 mm
Handle Opens:	180°
Weight:	0.3Kg
Spindle Supplied:	SA-085012



Unit:mm
Scale: 1:2

TITLE:

DWG NO.

GH-302-FM

A4