

JET

BD-9G

**METALWORKING
METAL LATHE**

BD-9G... 50001009M 1~230V, 50Hz

PARTS LIST

JPW (Tool) AG.
Tämperlistrasse 5
CH-8117 Fällanden
Switzerland

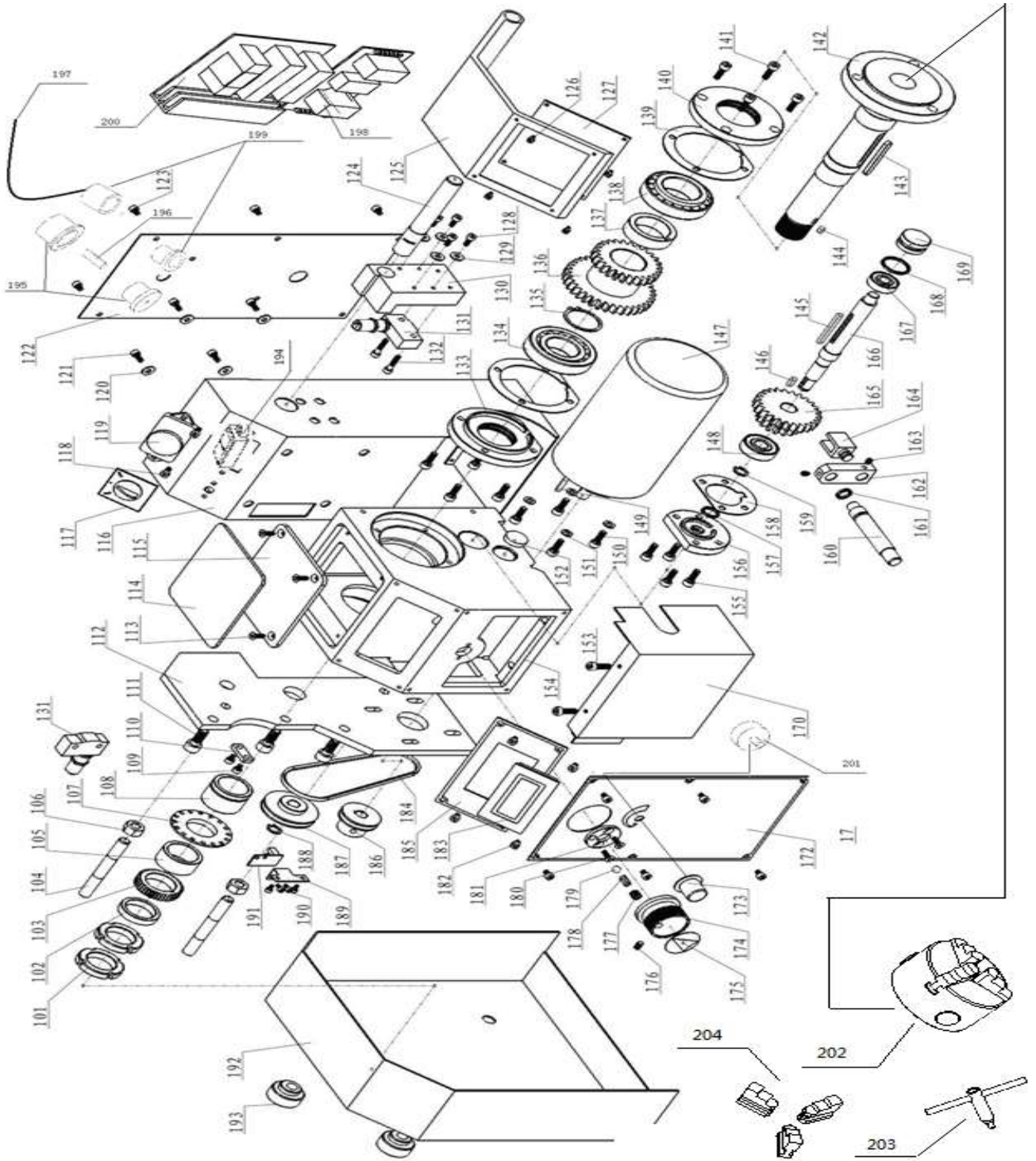
Phone +41 44 806 47 48
Fax +41 44 806 47 58

www.jettools.com

P-50001009M

2014-05

BD-9G Headstock Assembly

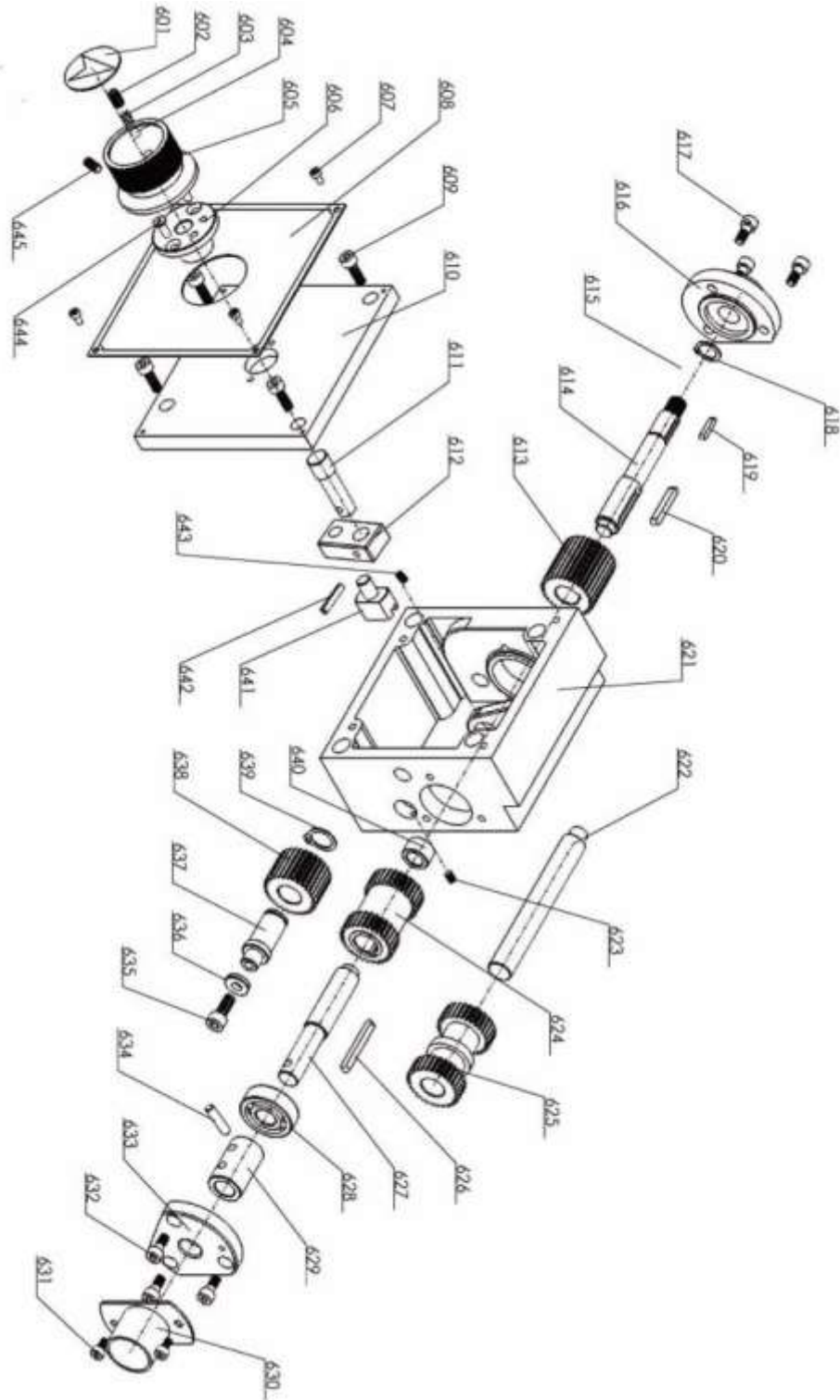


BD-9G Headstock Assembly Part List

Index No.	Part No.	Description	Size	Qty
101	BD9G-101	Nut	M27x1	2
102	BD9G-102	Sleeve		1
103	BD9G-103	Gear		1
104	BD9G-104	Special Bolt		2
105	BD9G-105	Sleeve		1
106	BD9G-106	Nut	M8	6
107	BD9G-107	Gasket		1
108	BD9G-108	Sleeve		1
109	BD9G-109	Socket Head Cap Screw	M4x10	1
110	BD9G-110	Block		1
111	BD9G-111	Socket Head Cap Screw	M8x20	3
112	BD9G-112	Plate		1
113	BD9G-113	Socket Head Flat Screw	M4x10	4
114	BD9G-114	Rubber Cover		1
115	BD9G-115	Headstock Cover		1
116	BD9G-116	Electric Box		1
117	BD9G-117	Hi / Low Switch		1
118	BD9G-118	Socket Head Cap Screw	M4x10	2
119	BD9G-119	Emergency Stop Switch		1
120	BD9G-120	Washer	Ø5mm	4
121	BD9G-121	Socket Head Cap Screw	M5x10	4
122	BD9G-122	Electric Box Cover		1
123	BD9G-123	Socket Head Cap Screw	M4x6	4
124	BD9G-124	Guard Shaft		1
125	BD9G-125	Guard		1
126	BD9G-126	Socket Head Cap Screw	M3x6	4
127	BD9G-127	Acrylic Cover		1
128	BD9G-128	Socket Head Cap Screw	M4x10	4
129	BD9G-129	Washer	Φ4	4
130	BD9G-130	Bracket		1
131	BD9G-131	Micro Switch		2
132	BD9G-132	Socket Head Cap Screw	M4x20	2
133	BD9G-133	Spindle Front Support Cover		1
134	BD9G-134	Spindle Bearing	30206	1
135	BD9G-135	C- Ring	A32	1
136	BD9G-136	Gear		1
137	BD9G-137	Sleeve		1
138	BD9G-138	Spindle Bearing	32007	1
139	BD9G-139	Gasket		2
140	BD9G-140	Front Flange		1
141	BD9G-141	Socket Head Cap Screw	M5x15	8
142	BD9G-142	Spindle		1
143	BD9G-143	Washer	A6X50	1
144	BD9G-144	Key	A4x8	1
145	BD9G-145	Key	A4x45	1
146	BD9G-146	Key	A4x12	1
147	BD9G-147	DC Motor	230V 1Ph	1
148	BD9G-148	Ball Bearing	6201	1
149	BD9G-149	Key	A4x20	1
150	BD9G-150	Socket Head Cap Screw	M5x15	4
151	BD9G-151	Washer	Φ5	4
152	BD9G-152	Oil Ring	Φ20	1
153	BD9G-153	Socket Head Cap Screw	M5x15	2
154	BD9G-154	Headstock Body		1
155	BD9G-155	Socket Head Cap Screw	GM5x15	4
156	BD9G-156	Flange		1
157	BD9G-157	O-Ring	16x2.4	1
158	BD9G-158	Gasket		1
159	BD9G-159	Snap Ring	A12	1
160	BD9G-160	Shaft		1
161	BD9G-161	O-Ring	14x2.4	1
162	BD9G-162	Lever Bracket		1
163	BD9G-163	Screw	M5x6	2

Index No.	Part No.	Description	Size	Qty
164	BD9G-164	Lever		1
165	BD9G-165	Gear		1
166	BD9G-166	Transfer Shaft		1
167	BD9G-167	Ball Bearing	6000	1
168	BD9G-168	O-Ring	26x2.4	1
169	BD9G-169	Cover		1
170	BD9G-170	Support Cover		1
171	BD9G-171	Socket Head Cap Screw	M4x6	6
172	BD9G-172	Head Panel		1
173	BD9G-173	Variable Resister		1
174	BD9G-174	Knob		1
175	BD9G-175	Hi / Low Label		1
176	BD9G-176	Set Screw	M5x10	1
177	BD9G-177	Set Screw	M8x8	1
178	BD9G-178	Pressure Spring	1x5x18	1
179	BD9G-179	Steel Ball	6.5	1
180	BD9G-180	Socket Head Flat Screw	M4x12	2
181	BD9G-181	Plate		1
182	BD9G-182	Socket Head Cap Screw	M4x6	4
183	BD9G-183	Digital Read Out		1
184	BD9G-184	Belt	5M-365	1
185	BD9G-185	DRO Support Plate		1
186	BD9G-186	Motor Pulley		1
187	BD9G-187	Transmission Pulley		1
188	BD9G-188	Locking Washer	A10	1
189	BD9G-189	Sensor Bracket		1
190	BD9G-190	Socket Head Cap Screw	M3x6	4
191	BD9G-191	Sensor		1
192	BD9G-192	Change Gear Cover		1
193	BD9G-193	Nut		2
194	BD9G-194	Power Switch		1
195	BD9G-195	Fuse box		1
196	BD9G-196	Fuse		1
197	BD9G-197	Power Cord		1
198	BD9G-198	Filter		1
199	BD9G-199	Strain Relief Bushing		1
200	BD9G-200	Speed Control		1
201	BD9G-201	Adjustable potentiometer		1
202	BD9G-202	Lathe Chuck		1
203	BD9G-203	Chuck Key		1
204	BD9G-204	Claw		1

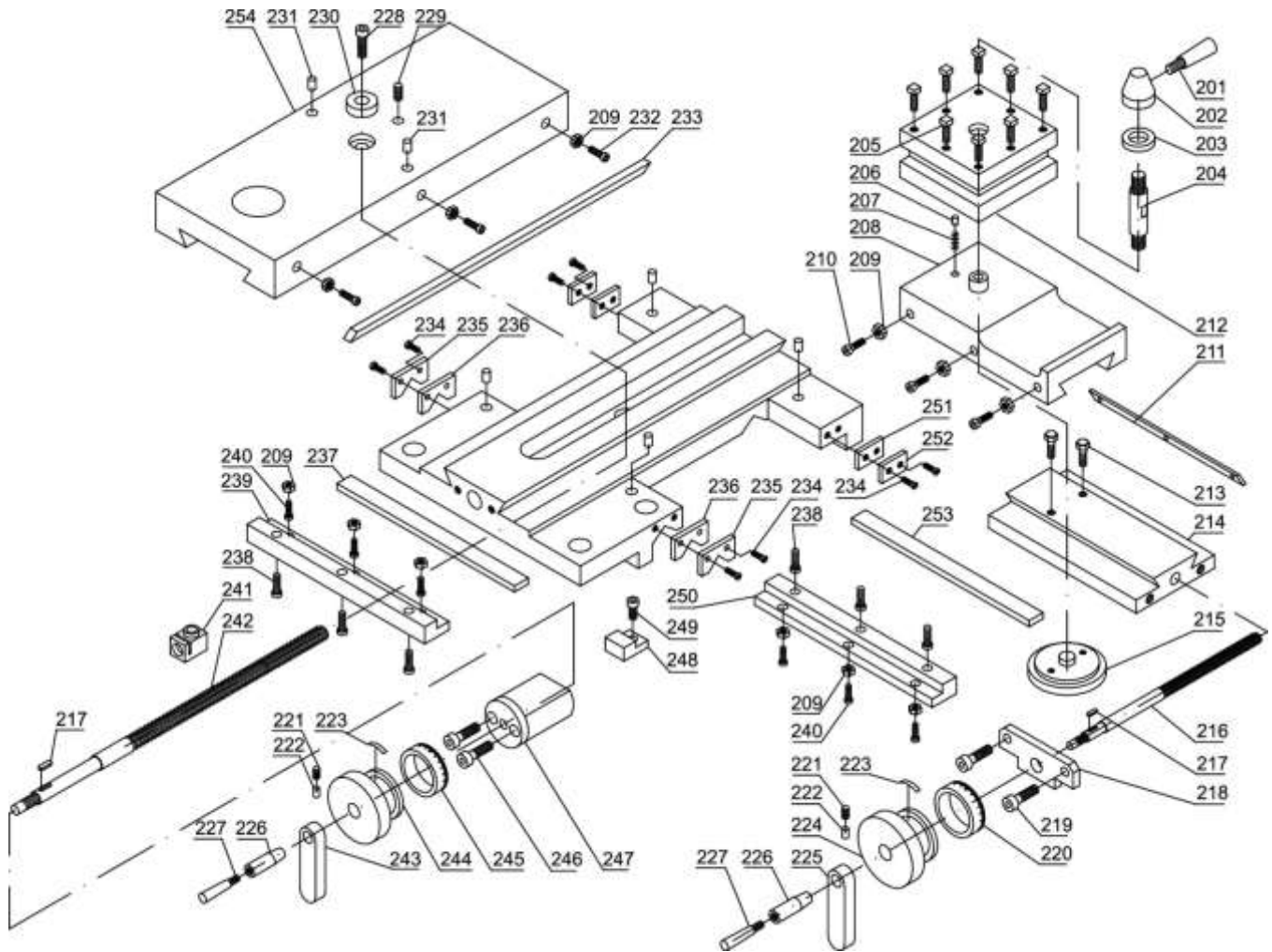
BD-9G Change Gear Box Assembly



BD-9G Change Gear Box Assembly Part List

Index No.	Part No.	Description	Size	Qty
601	BD9G-601	Sign		1
602	BD9G-602	Screw	M6x10	1
603	BD9G-603	Spring	0.8x4x16	1
604	BD9G-604	Steel Ball		1
605	BD9G-605	Reversing Handle		1
606	BD9G-606	Plate		1
607	BD9G-607	Screw	M3x6	4
608	BD9G-608	Sign		1
609	BD9G-609	Screw	M5x16	4
610	BD9G-610	Cover Plate		1
611	BD9G-611	Shaft		1
612	BD9G-612	Toggle Arm		1
613	BD9G-613	Gear	30T	1
614	BD9G-614	Shaft		1
615	BD9G-615	Bearing	6201	1
616	BD9G-616	The Lid		1
617	BD9G-617	Screw	M5x12	3
618	BD9G-618	C-Ring	A12	1
619	BD9G-619	Key	A3x6	1
620	BD9G-620	Key	A4x28	1
621	BD9G-621	Feed Box		1
622	BD9G-622	Shaft		1
623	BD9G-623	Screw	M4x8	1
624	BD9G-624	Gear	30T	1
625	BD9G-625	Gear	30T	1
626	BD9G-626	Key	A4x38	1
627	BD9G-627	Shaft		1
628	BD9G-628	Bearing	6201	1
629	BD9G-629	Connecting Rod		1
630	BD9G-630	Shield		1
631	BD9G-631	Screw	M4x8	2
632	BD9G-632	Screw	M5x12	3
633	BD9G-633	The Lid		1
634	BD9G-634	Pin	5mm x 22	1
635	BD9G-635	Screw	M6x16	1
636	BD9G-636	Washer		1
637	BD9G-637	Shaft		1
638	BD9G-638	Gear	30T	1
639	BD9G-639	C-Ring	A14	1
640	BD9G-640	Connecting Rod		1
641	BD9G-641	Fork		1
642	BD9G-642	Pin	4x20	1
643	BD9G-643	Screw	M5x12	1
644	BD9G-644	Screw	M4x12	2
645	BD9G-645	Screw	M4x6	1

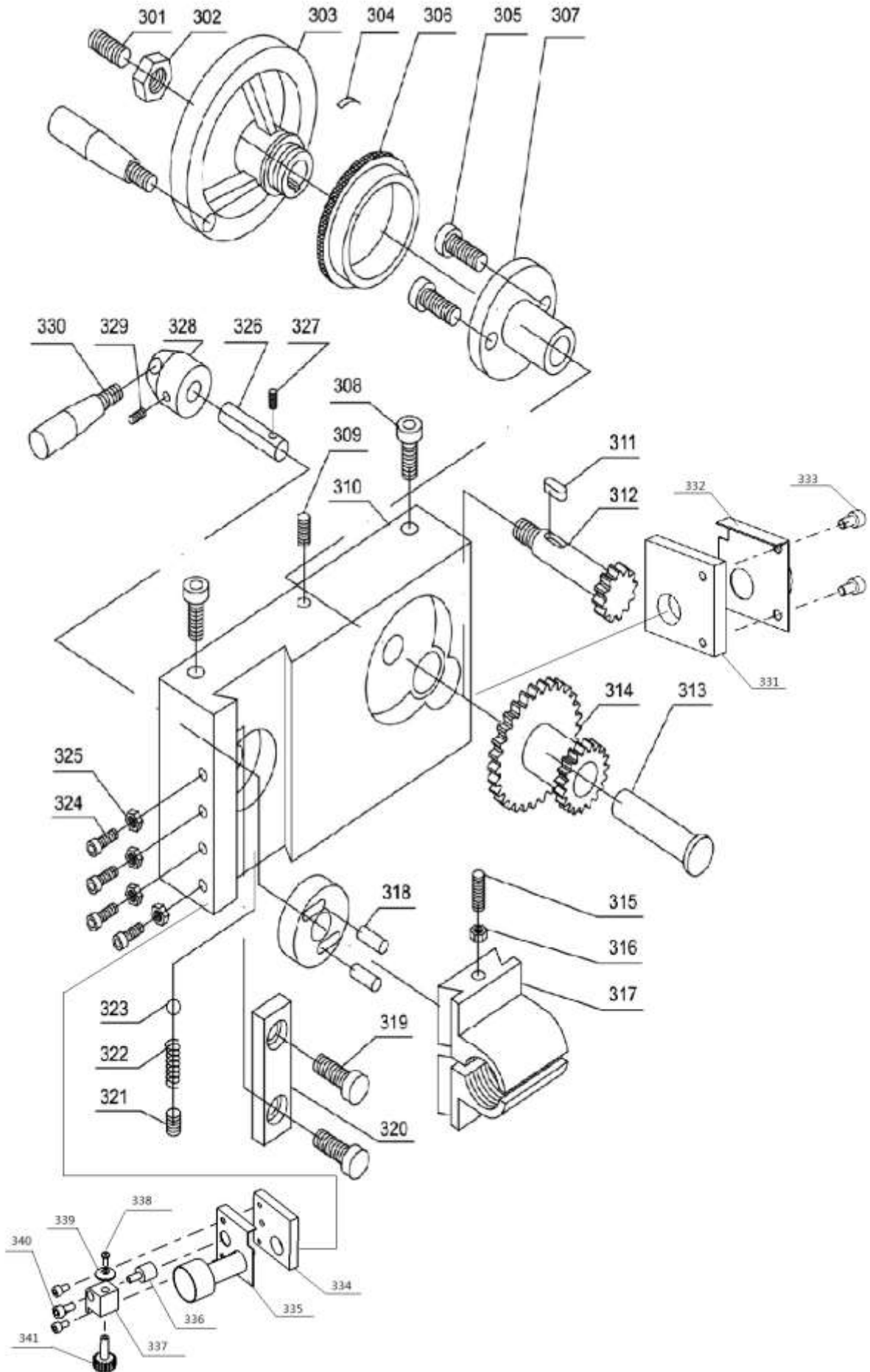
BD-9G Top Slide , Cross slide , Carriage Assembly



BD-9G Top Slide , Cross Slide ,Carriage Assembly Part List

Index No.	Part No.	Description	Size	Qty
201	BD9G-201	Handle		1
202	BD9G-202	Andle Base		1
203	BD9G-203	Washer		1
204	BD9G-204	Bolt		1
205	BD9G-205	Screw	M6x25	1
206	BD9G-206	Pin		1
207	BD9G-207	Spring	5x10x1	1
208	BD9G-208	Longitudinal Slide		1
209	BD9G-209	Nut	M4	9
210	BD9G-210	Screw	M4x14	3
211	BD9G-211	Gib		1
212	BD9G-212	Top Rest		1
213	BD9G-213	Screw	M5x30	1
214	BD9G-214	Swivel Base	m6x20	1
215	BD9G-215	Micrometer Pan		1
216	BD9G-216	Lead Screw		1
217	BD9G-217	Key	3x12	1
218	BD9G-218	Bracket		1
219	BD9G-219	Screw	M5x12	2
220	BD9G-220	Collar		1
221	BD9G-221	Screw		2
222	BD9G-222	Pin		2
223	BD9G-223	Spring		2
224	BD9G-224	Handwheel		1
225	BD9G-225	Handblock		1
226	BD9G-226	Handle Sleeve		2
227	BD9G-227	Handle		2
228	BD9G-228	Screw	M4x8	1
229	BD9G-229	Screw	m5x10	1
230	BD9G-230	Bush		1
231	BD9G-231	Oil Cup	5mm	1
232	BD9G-232	Screw	M4x20	3
233	BD9G-233	Gib		1
234	BD9G-234	Screw		8
235	BD9G-235	Wiper Cover		2
236	BD9G-236	Wiper		2
237	BD9G-237	Gib		1
238	BD9G-238	Screw	M5x10	6
239	BD9G-239	Sliding Block		1
240	BD9G-240	Screw	M4x10	6
241	BD9G-241	Nut		1
242	BD9G-242	Lead Screw		1
243	BD9G-243	Handle Block		1
244	BD9G-244	Handle Wheel		1
245	BD9G-245	Collar		1
246	BD9G-246	Screw	M6x50	2
247	BD9G-247	Bracket		1
248	BD9G-248	Clamping Plate		1
249	BD9G-249	Screw		1
250	BD9G-250	Sliing Block		1
251	BD9G-251	Wiper		2
252	BD9G-252	Wiper Cover		2
253	BD9G-253	Gib		1
254	BD9G-254	Cross Slide		1

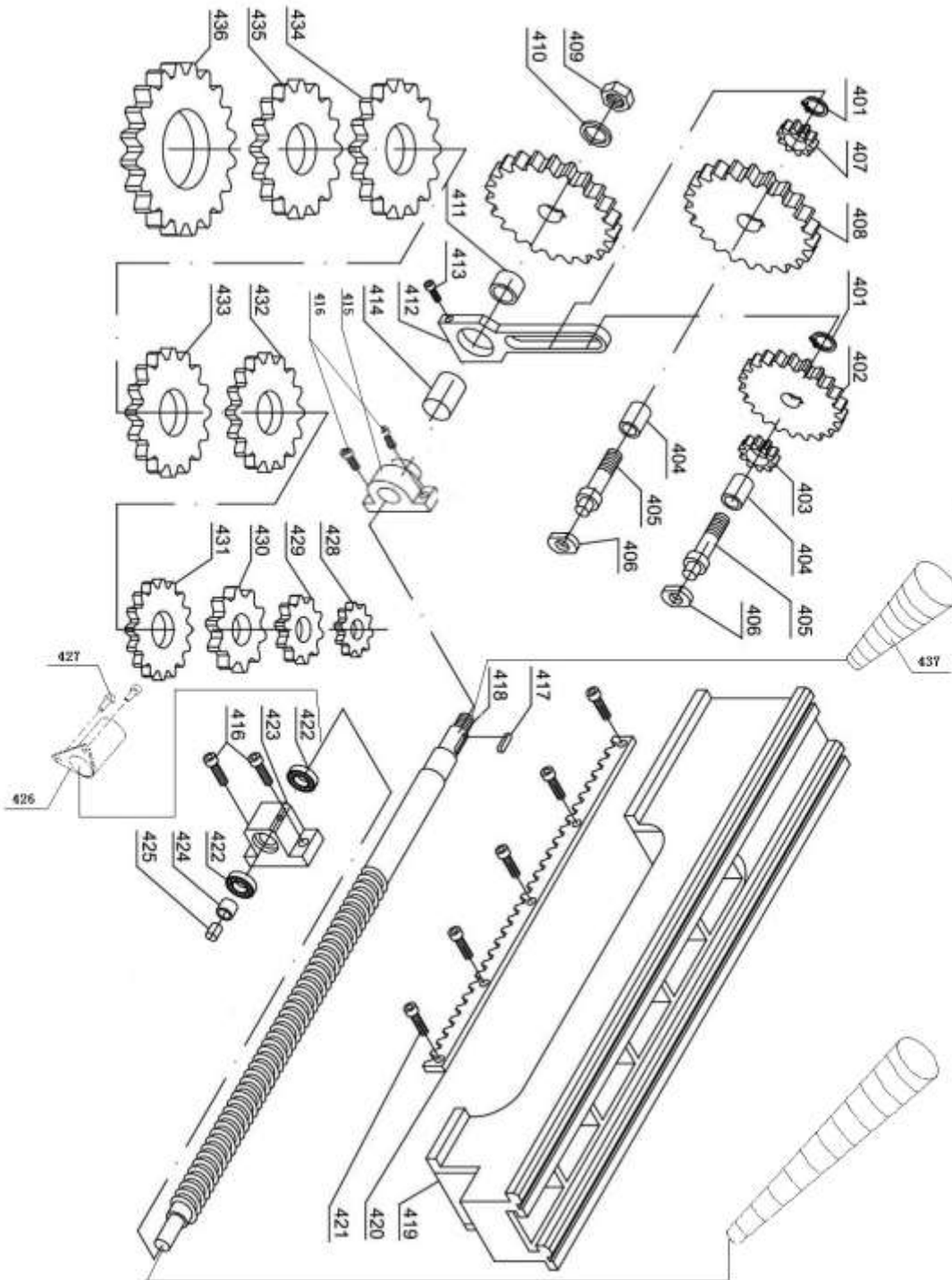
BD-9G Apron Assembly



BD-9G Apron Assembly Part List

Index No.	Part No.	Description	Size	Qty
301	BD9G-301	Screw	M8x8	1
302	BD9G-302	Nut	M8	1
303	BD9G-303	Handwheel		1
304	BD9G-304	Spring		1
305	BD9G-305	Socket Head Cap Screw	M5x10	2
306	BD9G-306	Collar		1
307	BD9G-307	Bracket		1
308	BD9G-308	Socket Head Cap Screw	M8x25	2
309	BD9G-309	Screw	M5x8	1
310	BD9G-310	Apron		1
311	BD9G-311	Key	A3x3x8	1
312	BD9G-312	Gear Shaft	14T	1
313	BD9G-313	Shaft		1
314	BD9G-314	Gear	44/21T	1
315	BD9G-315	Screw	M4x35	1
316	BD9G-316	Nut	M4	1
317	BD9G-317	Half Nut		1
318	BD9G-318	Pin	4mmx10	1
319	BD9G-319	Hex. Cap Screw	M4x10	2
320	BD9G-320	Block		1
321	BD9G-321	Screw	M6x8	1
322	BD9G-322	Spring	0.6x3.5mmx12	1
323	BD9G-323	Ball	4.5 DIA	2
324	BD9G-324	Socket Head Cap Screw	M4x12	4
325	BD9G-325	Nut	M4	1
326	BD9G-326	Shaft		1
327	BD9G-327	Pin	3mmx 30	2
328	BD9G-328	Hand Base		1
329	BD9G-329	Screw	M5x6	1
330	BD9G-330	Handle		1
331	BD9G-331	Left Support		1
332	BD9G-332	Left Guard		1
333	BD9G-333	Socket Head Cap Screw	M4X16	4
334	BD9G-334	Right Support		1
335	BD9G-335	Left Guard		1
336	BD9G-336	Small Shaft		1
337	BD9G-337	Small Shaft Base		1
338	BD9G-338	Cross Head Screw		1
339	BD9G-339	Graduated Disc		1
340	BD9G-340	Socket Head Cap Screw	M6X12	1
341	BD9G-341	Rolling Gear		1

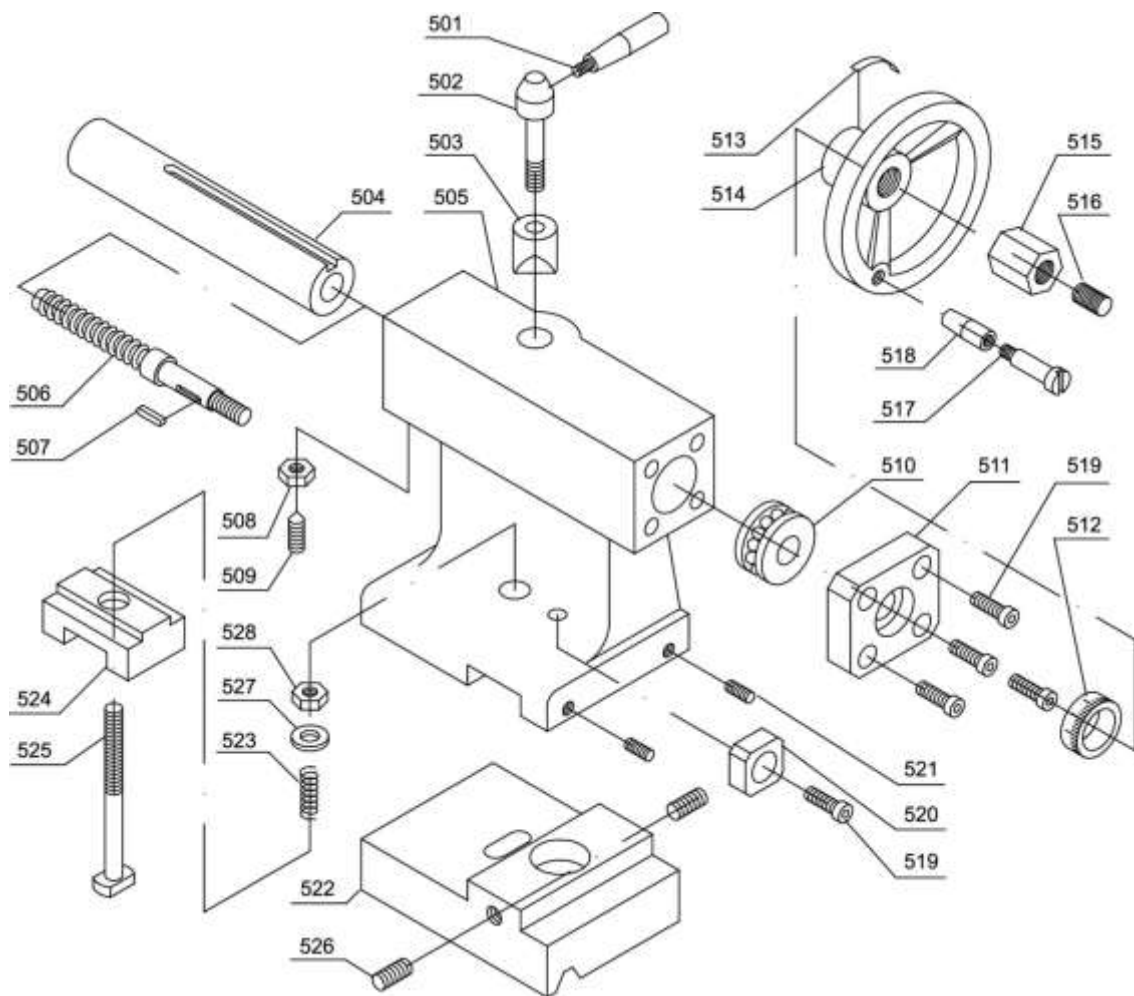
BD-9G Change Gear and Bed Assembly



BD-9G Change Gear and Bed Assembly Part List

Index No.	Part No.	Description	Size	Qty
401	BD9G-401	Spring Ring		2
402	BD9G-402	Gear	84T	1
403	BD9G-403	Gear	30T	1
404	BD9G-404	Bush		1
405	BD9G-405	Bolt		1
406	BD9G-406	Nut	M8	1
407	BD9G-407	Gear	20T	1
408	BD9G-408	Gear	80T	2
409	BD9G-409	Nut	M10	1
410	BD9G-410	Washer	10	1
411	BD9G-411	Bush		1
412	BD9G-412	Frame		1
413	BD9G-413	Socket Head Cap Screw	M6x35	1
414	BD9G-414	Bush		1
415	BD9G-415	Left Support		1
416	BD9G-416	Socket Head Cap Screw	M6x14	2
417	BD9G-417	Key	A3x3x16	1
418	BD9G-418	Leadscrew		1
419	BD9G-419	Bed		1
420	BD9G-420	Rack		1
421	BD9G-421	Socket Head Cap Screw	M2x12	5
422	BD9G-422	Bearing	51100	2
423	BD9G-423	Right Support		1
424	BD9G-424	Nut		1
425	BD9G-425	Screw	M8x6	1
428	BD9G-428	Gear	24T	1
429	BD9G-429	Gear	33T	1
430	BD9G-430	Gear	40T	1
431	BD9G-431	Gear	50T	1
432	BD9G-432	Gear	52T	1
433	BD9G-433	Gear	60T	1
434	BD9G-434	Gear	66T	1
435	BD9G-435	Gear	70T	1
436	BD9G-436	Gear	72T	1
437	BD9G-437	Shield		1

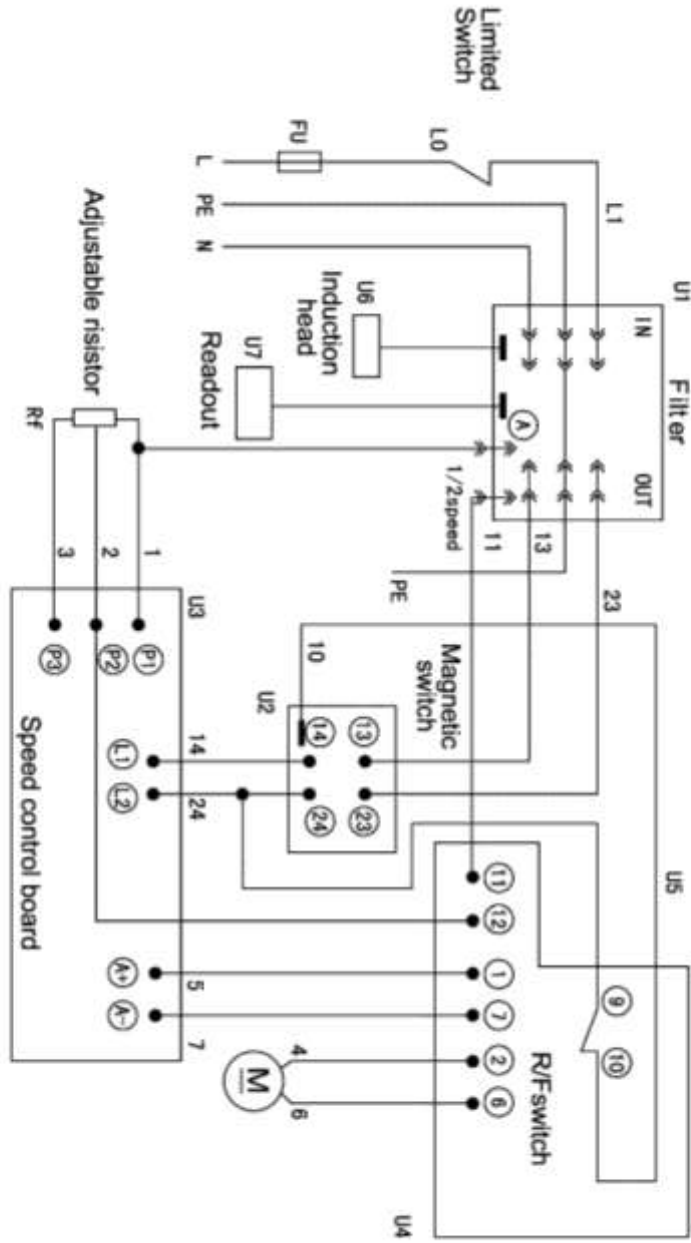
BD-9G Tailstock Assembly



BD-9G Tailstock Assembly Part List

Index No.	Part No.	Description	Size	Qty
501	BD9G-501	Handle		1
502	BD9G-502	Handle Base		1
503	BD9G-503	Lock Base		1
504	BD9G-504	Sleeve		1
505	BD9G-505	Tailstock		1
506	BD9G-506	Lead Screw		1
507	BD9G-507	Key	A3X3X8	1
508	BD9G-508	Nut	M6	1
509	BD9G-509	Screw	M6x14	1
510	BD9G-510	Thrust Bearing	51100	1
511	BD9G-511	Housing		1
512	BD9G-512	Collar		1
513	BD9G-513	Spring		1
514	BD9G-514	Hand wheel		1
515	BD9G-515	Nut	M8	1
516	BD9G-516	Screw	M8x6	1
517	BD9G-517	Handle Screw		1
518	BD9G-518	Handle Sleeve		1
519	BD9G-519	Socket Head Cap Screw	M5x12	1
520	BD9G-520	Adjustment Block		1
521	BD9G-521	Screw	M6x12	1
522	BD9G-522	Base		1
523	BD9G-523	Spring		1
524	BD9G-524	Clamping Plate		1
525	BD9G-525	Bolt	M10x70	1
526	BD9G-526	Set Screw	M6x16	2
527	BD9G-527	Washer	10mm	1
528	BD9G-528	Nut	M10	1

Wiring Diagram



BD-9G Wiring Diagram

Index No.	Part No.	Description	Size	Qty
001	FU	FU		1
002	L0	Limited Switch		1
003	U1	Filter		1
004	U2	Magnetic		1
005	U3	Speed control board		1
006	U4	FU		1
007	U5	FU		1
008	U6	Induction head		1
009	U7	Readout		1
010	Rf	Adjustable resistor		1
011	BD9G-001	FU		1