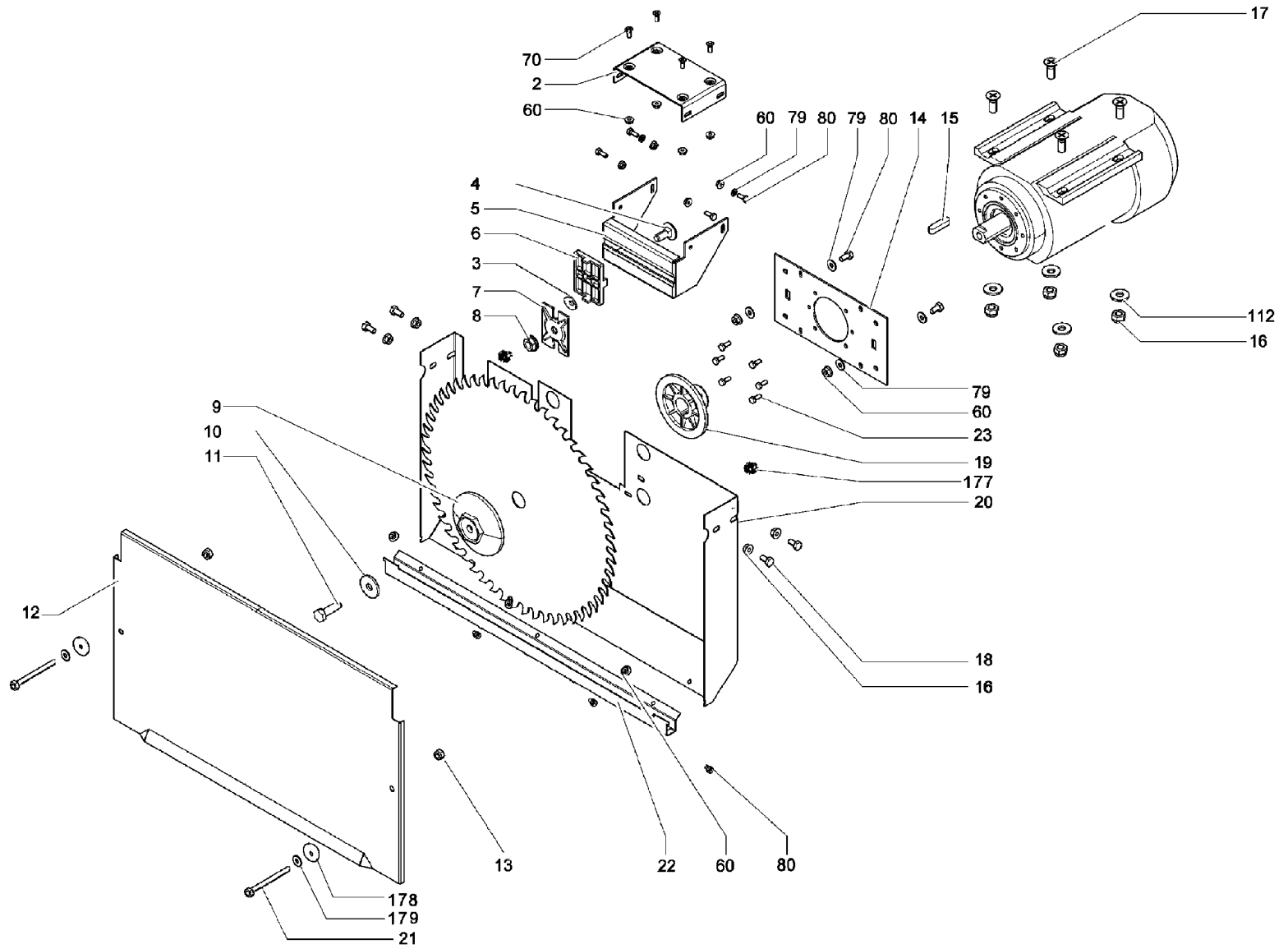
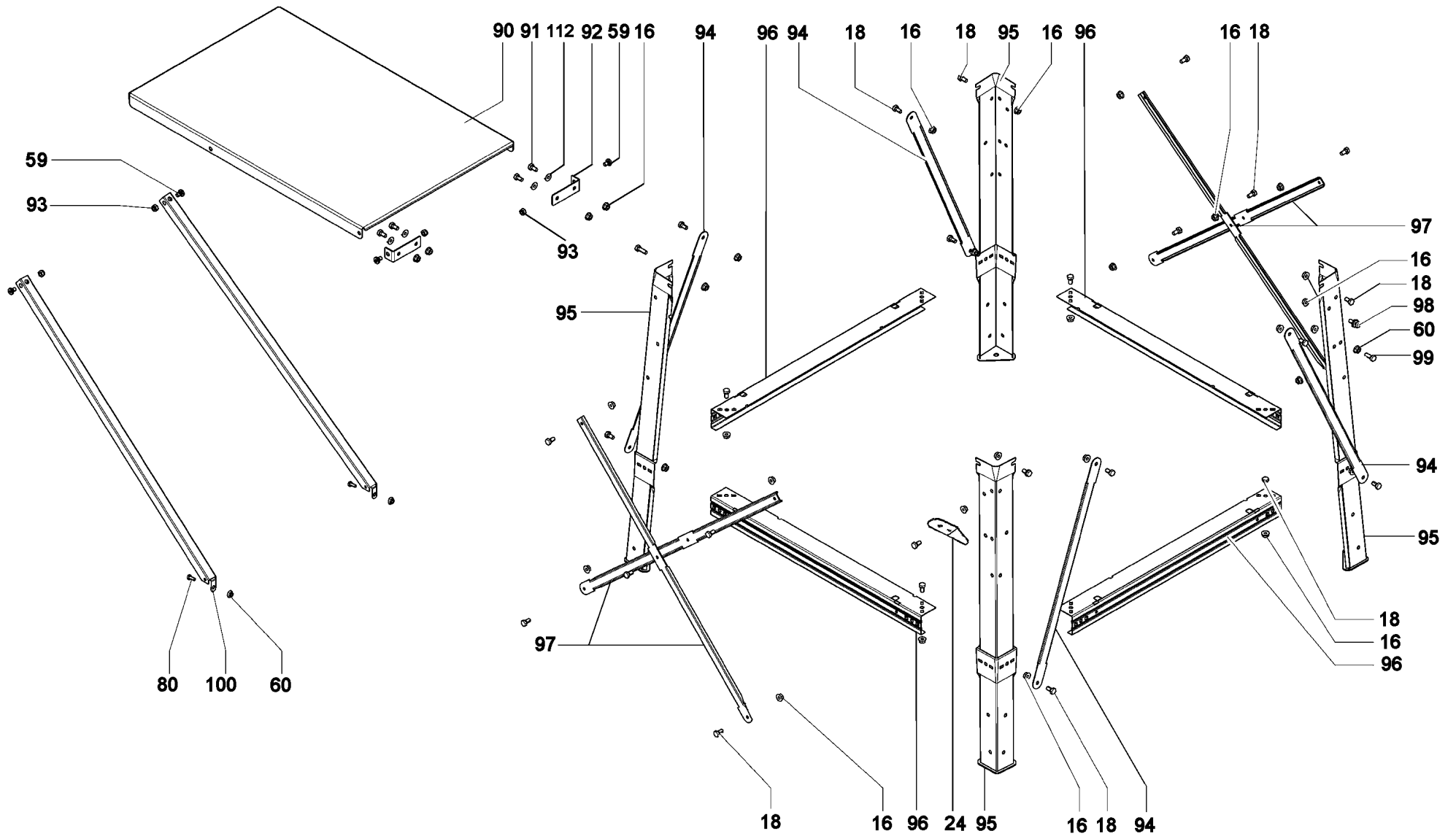
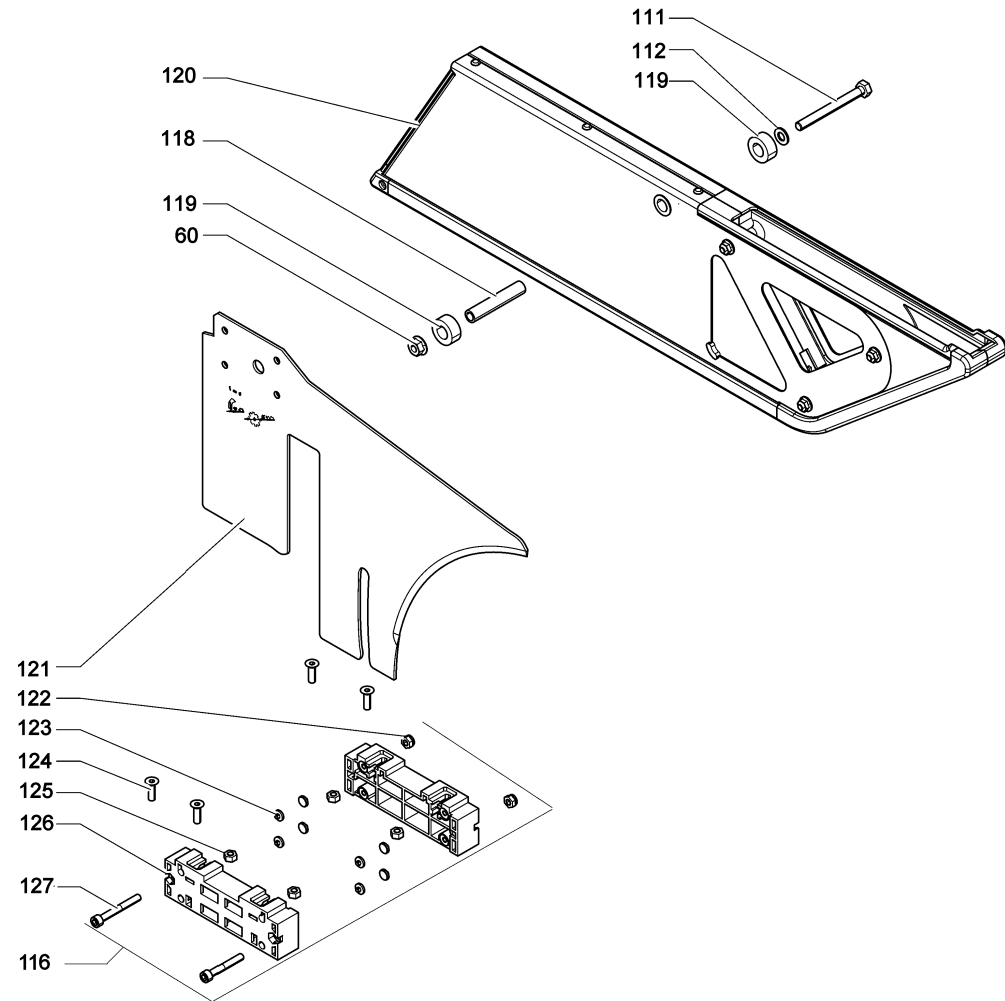
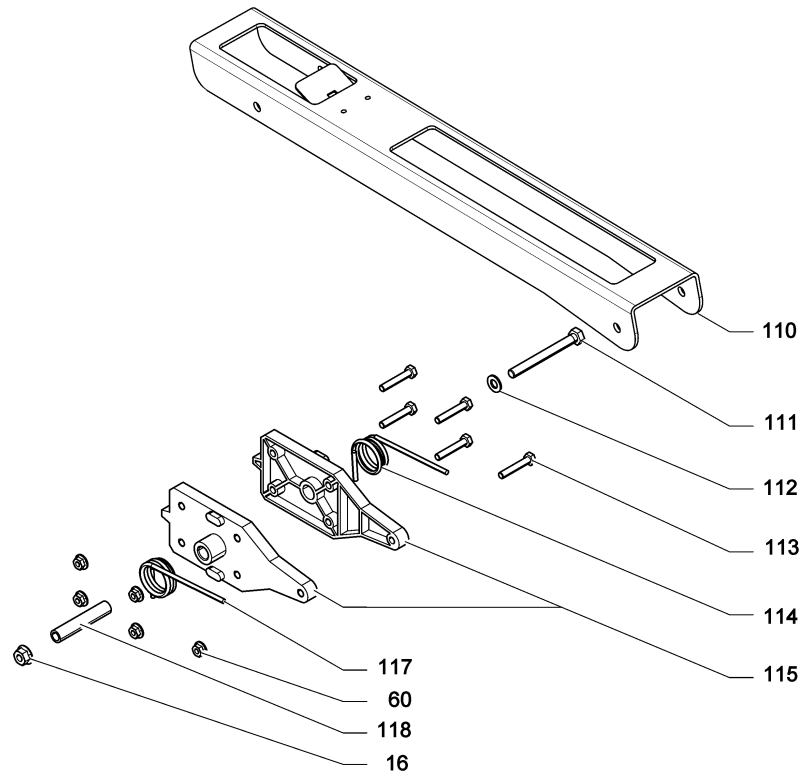


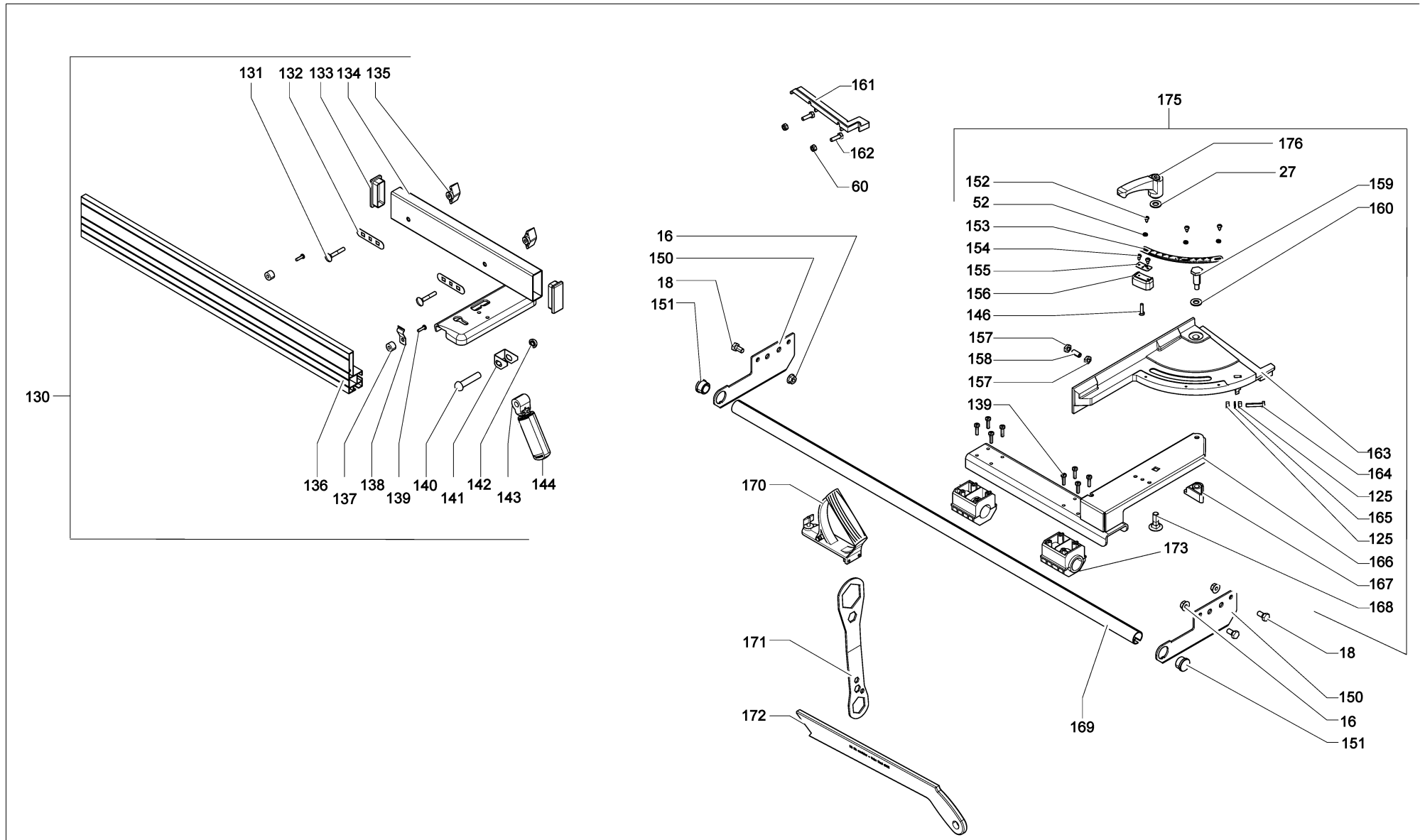
| | Litzenfarben | Colour of strands | Couleur des cordons |
|------|--------------|-------------------|---------------------|
| BK | schwarz | black | noir |
| WH | weiß | white | blanc |
| BU | blau | blue | bleu |
| YE | gelb | yellow | jaune |
| RD | rot | red | rouge |
| TR | transparent | transparent | transparent |
| BN | braun | brown | brun |
| GY | grau | grey | gris |
| GNYE | grün-gelb | green-yellow | vert-jaune |
| BKWH | schwarz-weiß | black-white | noir-blanc |
| GN | grün | green | vert |
| OG | orange | orange | orange |
| VT | violett | violet | violet |
| TQ | türkis | turquoise | turquoise |

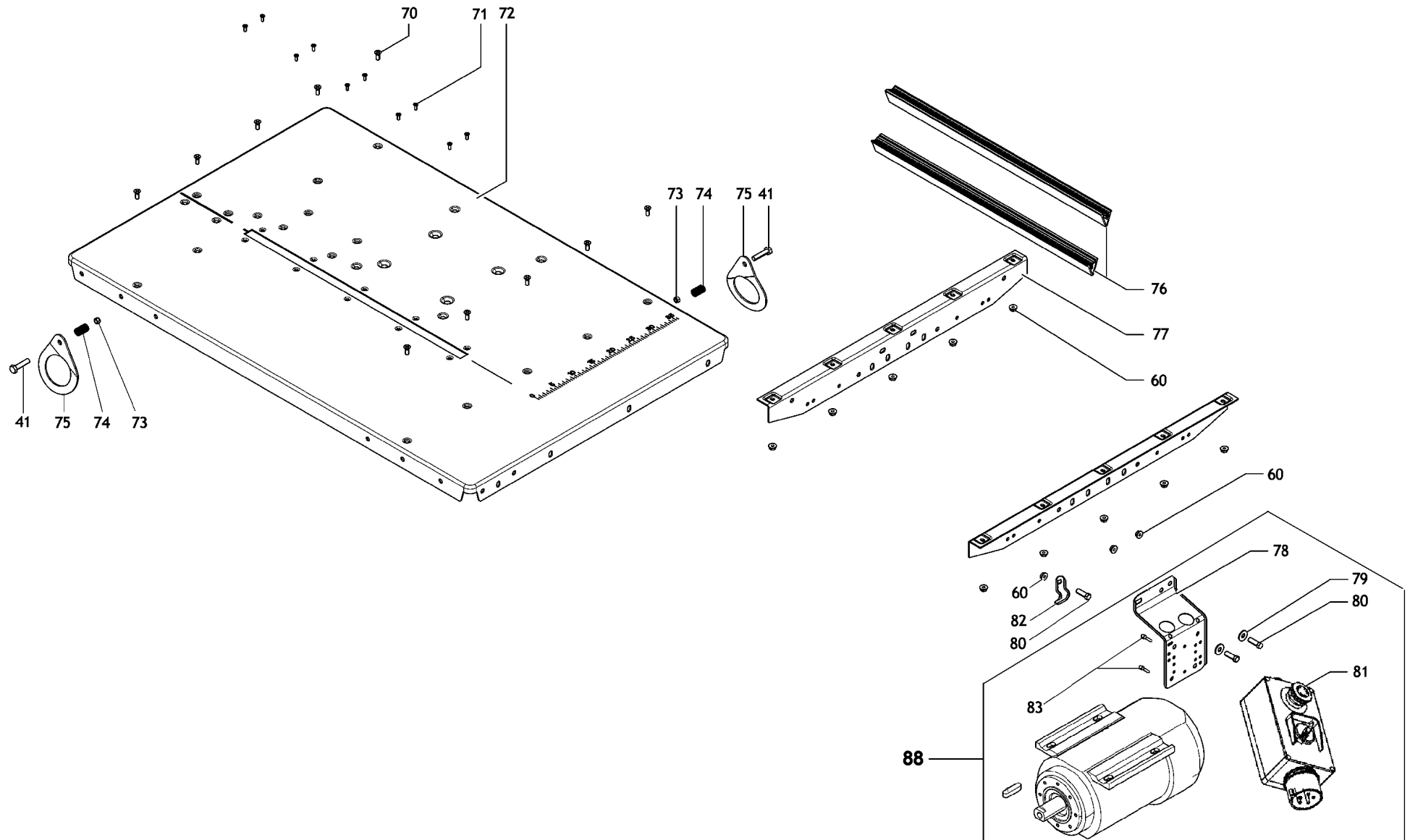
| | Bedeutung der Kurzzeichen | Meaning of the symbols | Interprétation des symboles |
|---|---------------------------|-------------------------------------|-----------------------------|
| B | Stecker | plug | fiche |
| C | Kondensator | condenser | condensateur |
| D | Funkentstördrossel | interference suppression inductance | inductance d'antiparasitage |
| E | Elektronik-Baustein | electronic unit | unité électronique |
| I | Induktionsspule | induction coil | bobine d'inductance |
| K | Klemme | terminal | borne |
| L | Licht | light | lumière |
| M | Motor | motor | moteur |
| O | Überlastschutz | overload cut-out | déclencheur de surintensité |
| R | Drehrichtungsumschalter | reversing switch | commutateur droite-gauche |
| S | Schalter | switch | interrupteur |
| U | Umschalter | change-over switch | commutateur |
| X | Elektronik-Element | electronic element | élément électronique |







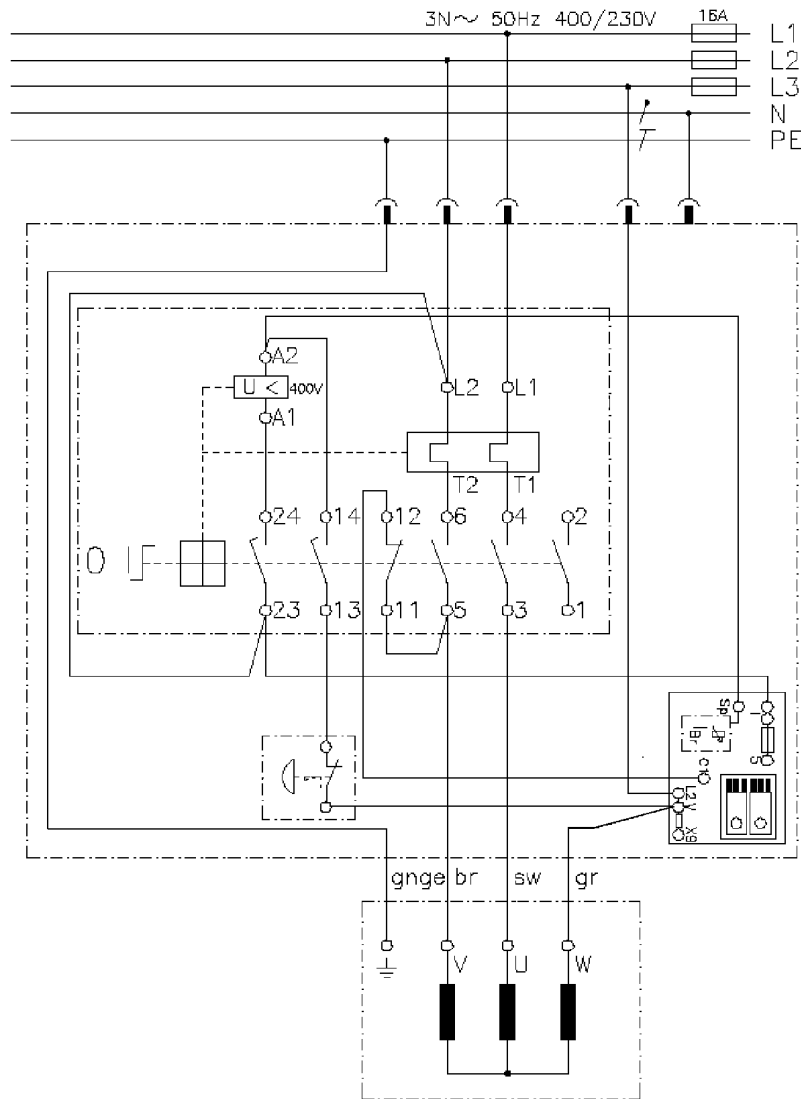




| Позиция | Количество | Номер для заказа | Описание | PG |
|---------|------------|------------------|--|----|
| 2 | 1 | 1382206289 | BRACKET BL 2,5X195X100 | 15 |
| 3 | 1 | 7053063343 | CUP SPRING | 11 |
| 4 | 1 | 6110149253 | CUP SQUARE NECK SCREW M 12X40 VERZ. | 12 |
| 5 | 1 | 1382731987 | TABLE PANEL BL 2,50X736X1071 | 26 |
| 6 | 1 | 2380075353 | riving knife carrier | 21 |
| 7 | 1 | 1382213749 | PRESSURE PLATE BL 2,99X80X60 | 12 |
| 8 | 1 | 6209002432 | FLANGE NUT | 16 |
| 9 | 1 | 1380214578 | BLADE COLLAR, OUTER | 32 |
| 10 | 1 | 6305002508 | WASHER B 13 VERZ. | 11 |
| 11 | 1 | 6103083956 | HEXAGON HEAD SCREW M 12X1,5 LINKS X30 VE | 19 |
| 12 | 1 | 1382206327 | CHIP CASE COVER BL 1,5X684X391 | 35 |
| 14 | 1 | 1482206294 | MOTOR SEAT BL 2,99X134X230 | 20 |
| 16 | 53 | 6209110995 | Flange nut | 11 |
| 17 | 4 | 6132605910 | HEX.SOCKET COUNTERS.HEAD SCRE M 10X30 VE | 11 |
| 18 | 40 | 6103001178 | Hex head screw | 11 |
| 19 | 1 | 1380214560 | BLADE COLLAR, INNER RD 30 | 30 |
| 20 | 1 | 1382206319 | CHIP CASE BL 1,5X812X410 | 31 |
| 21 | 2 | 6101022046 | HEXAGON HEAD SCREW M 8X90 VERZ. | 12 |
| 22 | 1 | 1382730808 | Verlaengerung Spaenek. BL 1,50x82,5x662 | 27 |
| 23 | 6 | 6103001356 | HEXAGON HEAD SCREW M 6X16 VERZ.FLECKBESC | 11 |
| 24 | 1 | 1392205418 | SAFETY LEVER BL 2,50X30X100 | 15 |
| 30 | 4 | 141150140 | Washer | 11 |
| 31 | 4 | 141132030 | Hex nut | 11 |
| 41 | 2 | 141113330 | Hexagon head screw | 12 |
| 60 | 33 | 6209114230 | Flange nut | 11 |
| 70 | 14 | 6131047582 | CROSS RECESSED FLAT HEAD SCREW M 6X16 VE | 11 |
| 71 | 10 | 141123420 | Self-tapp. counters. screw | 11 |
| 72 | 1 | 1382731405 | TABLE PANEL BL 2,50X736X1071 | 48 |
| 73 | 4 | 6202002305 | HEXAGON NUT, PREV. TORQUE TYPE | 11 |
| 74 | 2 | 7051207240 | PRESSURE SPRING | 11 |
| 75 | 2 | 1492103230 | LIFTING EYE 2,99X90X112 | 15 |
| 76 | 2 | 1393205551 | TABLE INSERT EXTRUSION 549,5 +/-0,3 MM | 27 |
| 77 | 2 | 1392205035 | CROSSHEAD BL 2,50X86X656 | 22 |
| 78 | 1 | 1382214133 | SWITCH PLATE BL 2,99X85X180 | 25 |
| 79 | 8 | 141150130 | Washer | 11 |
| 80 | 10 | 141113290 | Hexagon head screw | 11 |
| 81 | 1 | 8132731935 | SWITCH SSK UC400V M=7,8A PHW K3000B/ST6/ | 57 |
| 82 | 1 | 8242051328 | CABLE CLIP | 13 |
| 83 | 4 | 6186602763 | Fillister head screw w.fill. head screw | 11 |
| 88 | 1 | 1010603796 | MOTOR, SITE SAW BKH 5,50 DNB | 68 |
| 90 | 1 | 1382693309 | EXTENSION PLATE BL 2,00X572X832 TKHS315M | 40 |

| Позиция | Количество | Номер для заказа | Описание | PG |
|---------|------------|------------------|--|----|
| 91 | 4 | 141114860 | Hexagon head screw | 12 |
| 92 | 2 | 1382693856 | ANGLE BRACKET BL 2,50X30X116 | 23 |
| 93 | 4 | 6103005270 | HEXAGON HEAD SCREW M 10X20 VERZ. | 11 |
| 94 | 4 | 1382641074 | DIAGONAL STRUT BL 2,5X30X591 | 20 |
| 95 | 4 | 1010730674 | Bein BKH/BKS | 32 |
| 96 | 4 | 1382641031 | STANCHION BL 1,5X118X703 | 25 |
| 97 | 4 | 1382641058 | DIAGONAL STRUT BL 2,5X30X830 | 26 |
| 98 | 1 | 1395205516 | SCREW 6KT 17X30 M 8 | 14 |
| 99 | 1 | 6127059207 | Cap screw | 11 |
| 100 | 2 | 1382706559 | SUPPORT BL 1,00X70X885 TVL-BKH/BKS | 25 |
| 110 | 1 | 1382731340 | TABLE PANEL cpl. | 31 |
| 111 | 2 | 6103030259 | HEXAGON HEAD SCREW M 8X80 VERZ. | 11 |
| 112 | 16 | 141151340 | Washer | 11 |
| 113 | 5 | 6103004916 | HEXAGON HEAD SCREW M 6X35 VERZ. | 11 |
| 114 | 1 | 7051731284 | LEG SPRING D=1,5 X 180 | 20 |
| 115 | 2 | 1010731972 | Bearing block kpl. BKH/BKS-Plus | 25 |
| 116 | 1 | 1010731964 | RIP FENCE | 37 |
| 117 | 1 | 7051731292 | LEG SPRING D=1,5 X 180 | 20 |
| 118 | 2 | 1485731306 | BUSHING RD 18X5 | 16 |
| 119 | 2 | 1381731312 | BUSHING RD 18X5 | 11 |
| 120 | 1 | 1010731956 | Wheel guard,kpl BKH/BKS Plus | 48 |
| 121 | 1 | 1482731372 | SPLITTING BLADE BL 3,00X214X304 BKH/BKS4 | 50 |
| 122 | 4 | 141130650 | Hexagonal lock nut | 12 |
| 123 | 8 | 2391202772 | GLIDE PIECE | 11 |
| 124 | 4 | 6130019585 | SLOTTED FLAT HEAD SCREW M 6X20 VERZ. | 11 |
| 125 | 2 | 141130100 | Hexagonal nut | 11 |
| 126 | 2 | 1381730669 | SUPPORTBLOCK 140x30x53 | 37 |
| 127 | 2 | 141113940 | Cap screw | 11 |
| 130 | 1 | 1010731743 | RIP FENCE | 50 |
| 131 | 2 | 6110000616 | CUP SQUARE NECK SCREW M 6X40 VERZ. | 11 |
| 132 | 2 | 1392201587 | GUIDE PLATE, FLIPSTOP | 11 |
| 133 | 2 | 1391019971 | LAMELLAR PLUG 60X25 VL SCHWARZ | 12 |
| 134 | 1 | 1010731450 | Rip fence | 36 |
| 135 | 2 | 7005658068 | WING NUT | 13 |
| 136 | 1 | 1383730720 | AUXILIARY FENCE EXTRUSION | 34 |
| 137 | 2 | 6442100576 | SPACER SLEEVE RD 15/6X12 | 13 |
| 138 | 1 | 7052078118 | CABLE CLIP | 13 |
| 139 | 2 | 141122870 | Self-tap. fill. h. screw | 11 |
| 140 | 1 | 6632111175 | BOLT WITH HEAD | 13 |
| 141 | 1 | 1392205620 | Clamping plate,BL 1X26X91,5 | 12 |
| 142 | 1 | 7016050711 | STARLOCK | 11 |

| | | | | |
|-----|---|------------|--|----|
| 143 | 1 | 1380731386 | CAM-LOCK LEVER | 19 |
| 144 | 1 | 1381731843 | HANDLE WITH RED INSERT | 22 |
| 145 | 2 | 6110000640 | CUP SQUARE NECK SCREW M 8X25 VERZ. | 11 |
| 146 | 4 | 6172015687 | CROSS REC'D PAN HEAD TAP.SCREW | 11 |
| 147 | 2 | 1492091649 | END PIECE BL 2X26X35 | 18 |
| 148 | 1 | 1383731590 | FENCE GUIDE EXTRUSION 543,5 MM | 31 |
| 150 | 2 | 1482730767 | Halter BL 2,99x79x207 | 26 |
| 151 | 2 | 1381730715 | Lamellenstopfen RD 25 1-3 | 11 |
| 152 | 3 | 6172028215 | Fillister head screw | 11 |
| 153 | 1 | 1110205593 | ANGLE SCALE | 22 |
| 154 | 2 | 6172091014 | Fillister head screw | 11 |
| 155 | 1 | 1110205607 | VERNIER SCALE 1,00 | 26 |
| 156 | 1 | 2391205615 | CARRIER, VERNIER SCALE | 13 |
| 157 | 2 | 6205029131 | HEXAGON THIN NUT | 11 |
| 158 | 1 | 6161029309 | Grub screw | 11 |
| 159 | 1 | 1395205400 | HEXAGON FIT BOLT SW 19X42 | 33 |
| 160 | 1 | 6302085941 | WAVE SPRING WASHER B 12 VERZ. | 11 |
| 161 | 1 | 2380730793 | EXTENTION MITRE FENCE | 21 |
| 162 | 2 | 141110270 | Hexagon head screw | 11 |
| 163 | 1 | 1390205739 | MITRE FENCE | 37 |
| 164 | 1 | 141110290 | Hexagon head screw | 12 |
| 165 | 1 | 141151940 | Washer | 11 |
| 166 | 1 | 2010200922 | MITRE FENCE | 32 |
| 167 | 1 | 2391205470 | GLIDE PIEC | 13 |
| 168 | 1 | 6110091603 | CUP SQUARE NECK SCREW M 10X30 VERZ. | 11 |
| 169 | 1 | 1485730741 | Fuehrung Queranschlag RD 25x2,0x1040 | 31 |
| 170 | 1 | 1388680470 | SLIDING HANDLE RED | 31 |
| 171 | 2 | 1492102829 | Key | 20 |
| 172 | 1 | 1394201630 | Push stick | 19 |
| 173 | 2 | 2391205283 | GUIDE PIECE | 19 |
| 175 | 1 | 1010014146 | MITRE FENC | 46 |
| 176 | 1 | 7006073730 | RATCHET LOCK LEVER, FEMALE M 10 IG 18 MM | 21 |
| 177 | 4 | 141132030 | Hex nut | 11 |
| 178 | 2 | 7053075104 | CUP SPRING | 11 |
| 179 | 2 | 6305002486 | Washer | 11 |



| | Litzenfarben | Colour of strands | Couleur des cordons |
|------|--------------|-------------------|---------------------|
| BK | schwarz | black | noir |
| WH | weiß | white | blanc |
| BU | blau | blue | bleu |
| YE | gelb | yellow | jaune |
| RD | rot | red | rouge |
| TR | transparent | transparent | transparent |
| BN | braun | brown | brun |
| GY | grau | grey | gris |
| GNYE | grün-gelb | green-yellow | vert-jaune |
| BKWH | schwarz-weiß | black-white | noir-blanc |
| GN | grün | green | vert |
| OG | orange | orange | orange |
| VT | violett | violet | violet |
| TQ | türkis | turquoise | turquoise |

| | Bedeutung der Kurzzeichen | Meaning of the symbols | Interprétation des symboles |
|---|---------------------------|-------------------------------------|-----------------------------|
| B | Stecker | plug | fiche |
| C | Kondensator | condenser | condensateur |
| D | Funkentstördrossel | interference suppression inductance | inductance d'antiparasitage |
| E | Elektronik-Baustein | electronic unit | unité électronique |
| I | Induktionsspule | induction coil | bobine d'inductance |
| K | Klemme | terminal | borne |
| L | Licht | light | lumière |
| M | Motor | motor | moteur |
| O | Überlastschutz | overload cut-out | déclencheur de surintensité |
| R | Drehrichtungsumschalter | reversing switch | commutateur droite-gauche |
| S | Schalter | switch | interrupteur |
| U | Umschalter | change-over switch | commutateur |
| X | Elektronik-Element | electronic element | élément électronique |