

JET

**HBS-916W
HBS-1018W**

Metal Working Bandsaw

414468T 400/50/3

414473T 400/50/3

PARTS LIST

Walter Meier (Tool) AG

Tämperlistrasse 5
CH-8117 Fällanden
Switzerland

Phone +41 44 806 47 48

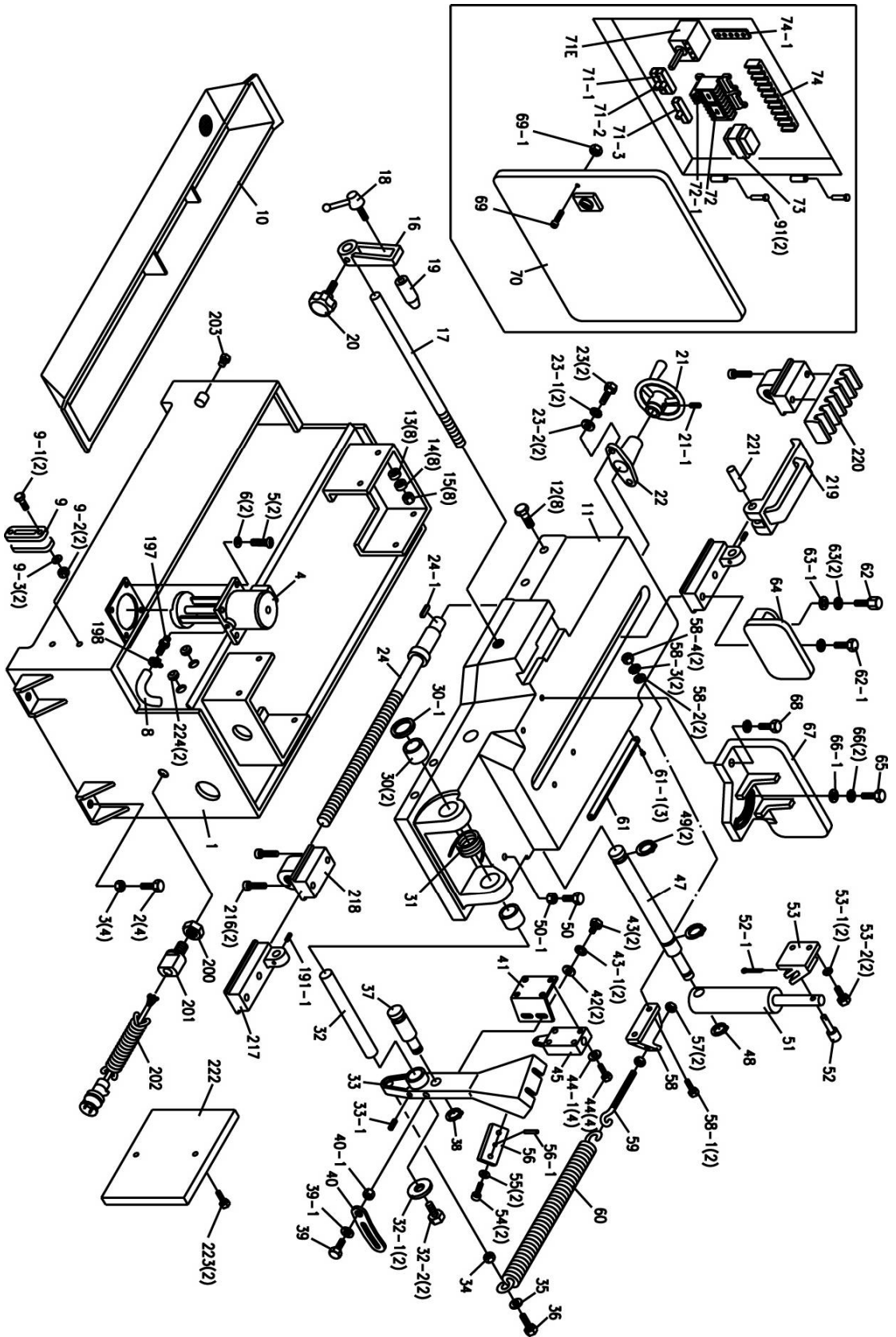
Fax +41 44 806 47 58

jetinfo.eu@waltermeier.com

www.jettools.com

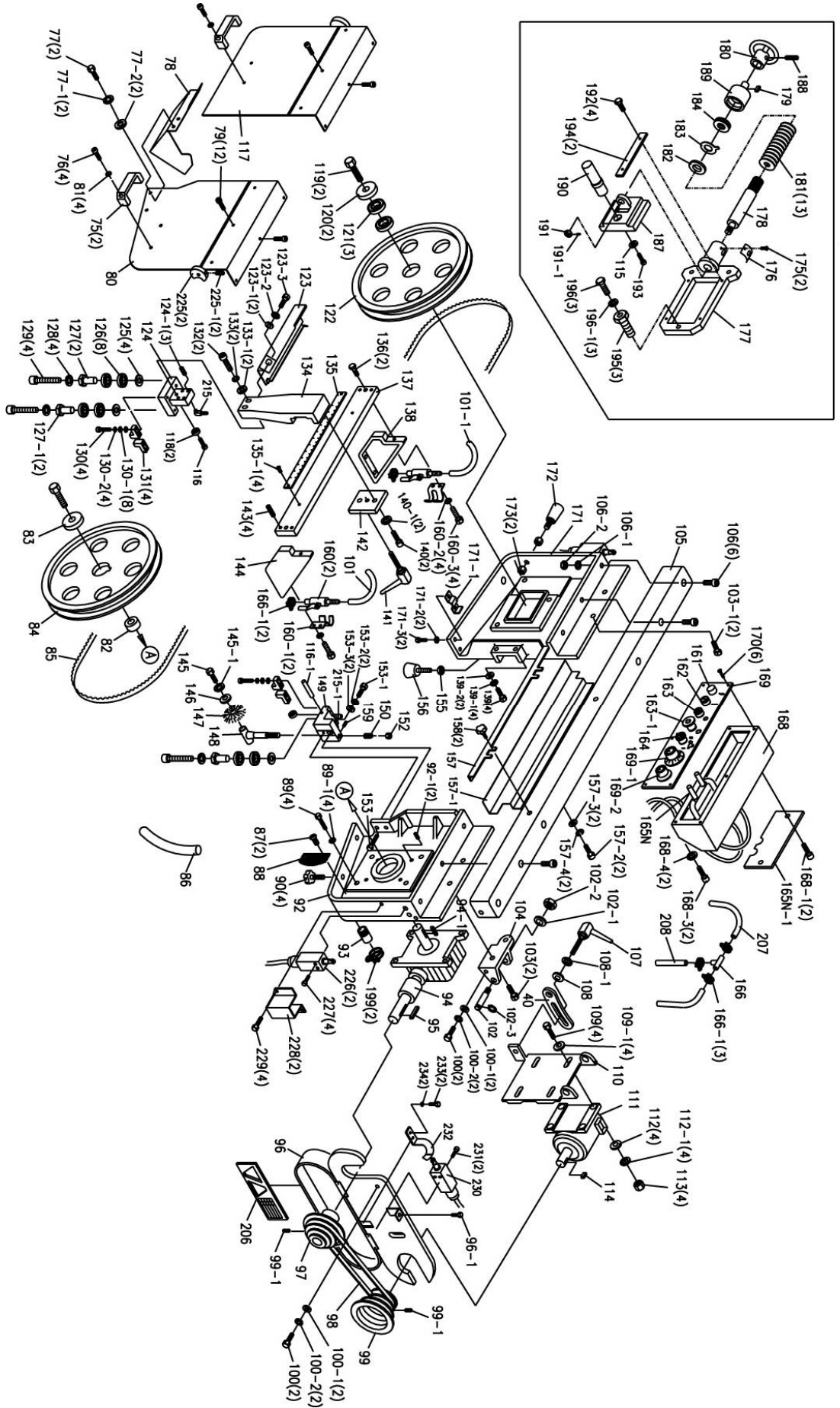


HBS-916W / HBS1018W Base and Bed Assembly



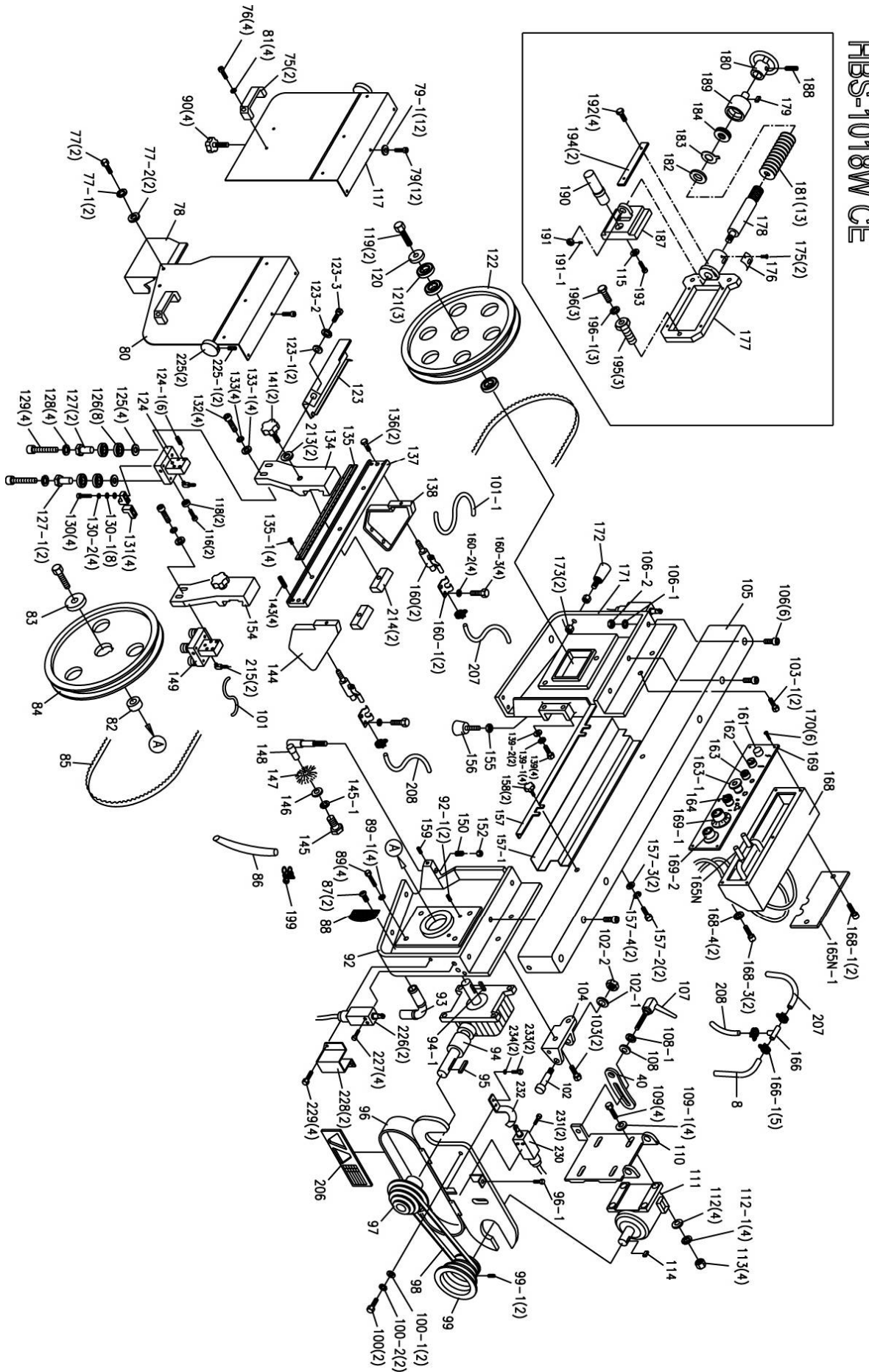
HBS-916W Saw Arm Assembly

HBS-916W/CE



HBS-1018W Saw Arm Assembly

HBS-1018W CE



Parts List for the HBS-916W/ HBS1018W Bandsaw

Index	Part	Description	Size	Qty
No.	No.			
1	HBS916W-01A	Base (S/N:8081109 and higher)		1
	HBS1018W-01A	Base (S/N:808719 and higher)		1
2	TS-1492071	Hex Cap Bolt	M12x70	4
3	TS-1540081	Hex Nut	M12	4
4	HBS916W-CPAE	Coolant Pump 400V (M2)	1/8HP,3Ph,50Hz	1
5	TS-1531051	Pan Head Screw	M6x16	2
6	TS-1551061	Lock Washer	M6	2
8	HBS916W-08	Hose		1
9	HBS916W-09	Coolant Gauge		1
9-1	TS-1491041	Hex Cap Bolt	M10x30	2
9-2	TS-1540071	Hex Nut	M10	2
9-3	TS-1550071	Flat Washer	M10	2
10	HBS916W-10	Chip Tray		1
	HBS1018W-10	Chip Tray		1
11	HBS916W-11A	Bed (S/N:8081109 and higher)		1
	HBS1018W-11A	Bed (S/N:808719 and higher)		1
12	TS-1490051	Hex Cap Bolt	M8x30	8
13	TS-1550061	Washer	M8	8
14	TS-1551081	Lock Washer	M8	8
15	TS-1540061	Hex Nut	M8	8
16	HBS916W-16	Stop Bracket		1
17	HBS916W-17	Stop Rod		1
18	HBS916W-18	Lock Handle		1
19	HBS916W-19	Work Stop		1
20	HBS916W-20	Lock Knob		1
21	HBS916W-21	Hand Wheel Assembly		1
	HBS1018W-21	Hand Wheel Assembly		1
21-1	HBS916W-21-1	Set Screw	5/16x8	1
22	HBS916W-22	Lead Screw Seat		1
	HBS1018W-22	Lead Screw Seat		1
23	TS-1490051	Hex Cap Screw	M8x30	2
23-1	TS-1551061	Lock Washer	M8	2
23-2	TS-1550061	Washer	M8	2
24	HBS916W-24A	Lead Screw		1
	HBS1018W-24A	Lead Screw		1
24-1	HBS916W-24-1	Key	5x5x20MM	1
30	HK-2516-2RS	Needle Bearing		2
30-1	HBS916-30-1	Bushing		1
31	HBS916W-31	Torsion Spring		1
	HBS1018W-31	Torsion Spring		1
32	HBS916W-32	Pivot Shaft		1
32-1	TS-1550041	Washer	M12	2
32-2	HBS916W-32-2	Bolt /w Zerk Fitting		2
33	HBS916W-33	Pivot Bracket		1
	HBS1018W-33	Pivot Bracket		1
33-1	TS-1525021	Set Screw	M10x12	1
34	TS-1540081	Nut	M12	1

Index Part				
No.	No.	Description	Size	Qty
35.....	TS-1550081.....	Washer.....	M12.....	1
36.....	TS-1492041.....	Hex Cap Bolt.....	M12x40.....	1
37.....	HBS916W-37.....	Torsion Spring Shaft.....		1
38.....	HBS916W-38.....	C-Ring.....	S-22.....	1
39.....	TS-1490041.....	Hex Cap Bolt.....	M8x25.....	1
39-1....	TS-1551081.....	Lock Washer.....	M8.....	1
40.....	HBS916W-40.....	Motor Tilt Plate.....		1
	HBS1018W-40.....	Motor Tilt Plate.....		1
40-1....	TS-1540061.....	Hex Nut.....	M8.....	1
41.....	HBS916W-41.....	Limit Switch Plate.....		1
42.....	TS-1550061.....	Washer.....	M8.....	2
43.....	TS-1490031.....	Hex Cap Bolt.....	M8x20.....	2
43-1....	TS-1550061.....	Lock Washer.....	M8.....	2
44.....	TS-1482021.....	Hex Cap Screw.....	M6X12.....	4
44-1....	TS-1550041.....	Flat Washer.....	M6.....	4
45.....	HBS916W-45.....	Cut Off limit Switch (SQ3).....		1
47.....	HBS916W-47.....	Cylinder Pin.....		1
	HBS1018W-47A.....	Cylinder Pin.....		1
48.....	HBS916W-48.....	C-Ring.....	S-20.....	1
49.....	HBS916W-49.....	C-Ring.....	S-25.....	2
50.....	TS-1491041.....	Hex Cap Bolt.....	M10x30.....	1
50-1....	TS-1540071.....	Hex Nut.....	M10.....	1
51.....	HBS916W-51.....	Hydraulic Cylinder Assembly.....		1
	HBS1018W-51.....	Hydraulic Cylinder Assembly.....		1
52.....	HBS916W-52.....	Cylinder Pin.....		1
52-1....	HBS916W-52-1.....	Pin.....		1
53.....	HBS916W-53.....	Hydraulic Mounting Plate - Top.....		1
	HBS1018W-53.....	Hydraulic Mounting Plate - Top.....		1
53-1....	TS-1551071.....	Lock Washer.....	M10.....	2
53-2....	TS-1491041.....	Hex Cap Bolt.....	M10x30.....	2
54.....	TS-1492051.....	Hex Cap Bolt.....	M12x50.....	2
55.....	TS-1550081.....	Washer.....	M12.....	2
56.....	HBS916W-56.....	Plate.....		1
56-1....	HBS916W-56-1.....	Pin.....	M5x45.....	1
57.....	TS-0561051.....	Hex Nut.....	1/2".....	2
58.....	HBS916W-58.....	Spring Bracket.....		1
58-1....	TS-1490051.....	Hex Cap Bolt.....	M8x30.....	2
58-2....	TS-1550051.....	Washer.....	M8.....	2
58-3....	TS-1551061.....	Lock Washer.....	M8.....	2
58-4....	TS-1540061.....	Hex Nut.....	M8.....	2
59.....	HBS916W-59.....	Adjustable C-Bolt.....		1
60.....	HBS916W-60.....	Spring.....		1
	HBS1018W-60.....	Spring.....		1
61.....	HBS916W-61.....	Angle Scale.....		1
61-1....	HBS916W-61-1.....	Rivet.....	M2x5.....	3
62.....	TS-1492041.....	Hex Cap Bolt.....	M12x40.....	1
62-1....	TS-1492051.....	Hex Cap Bolt.....	M12x50.....	1
63.....	TS-1551081.....	Lock Washer.....	M12.....	2
63-1....	TS-1550081.....	Washer.....	M12.....	1
64.....	HBS916W-64.....	Vise Jaw – left.....		1

Index	Part			
No.	No.	Description	Size	Qty
	HBS1018W-64	Vise Jaw – left		1
65	TS-1492051	Hex Cap Bolt	M12x50	1
66	TS-1551081	Lock Washer	M12	2
66-1	TS-1550081	Washer	M12	1
67	HBS916W-67	Vise Jaw – right		1
	HBS1018W-67	Vise Jaw – right		1
68	TS-1492041	Hex Cap Bolt	M12x40	1
69	HBS916W-69	Hex Socket Cap Screw	M6x30	1
69-1	HBS916W-69-1	Nut	M6	1
70	HBS1018W-70AE	Electrical Panel Cover		1
70-1	HBS1018W-70-1AE	Electrical Box Assembly	400V/3Ph	1
71	HBS1018W-71E	Main Power Switch (QS)		1
71-1	HBS1018W-71-1E	Fuse 2A (FU1)		1
71-2	HBS1018W-71-2E	Fuse 2A (FU2)		1
71-3	HBS1018W-71-3E	Fuse 3A (FU3)		1
72	HBS1018W-72AE	Magnetic Switch (KM1)(KM2)		1
72-1	HBS1018W-72-1AE	Overload (FR)	400V/3Ph	1
73	HBS1018W-73AE	Transformer (TR)	400V/3Ph	1
74	HBS1018W-74E	Terminal Strip		1
74-1	HBS1018W-74-1E	Grounding Plate		1
75	HBS916W-75	Handle		2
76	TS-1534051	Pan Head Screw	M6x16	4
77	TS-1482021	Hex Cap Bolt	M6x12	2
77-1	TS-1551041	Lock Washer	M6	2
77-2	TS-1550041	Washer	M6	2
78	HBS916W-78	Wire Brush Guard		1
79	TS-1503011	Hex Socket Cap Screw	M6x8	12
	HBS-1018W-79A	Adjustable Bracket Mount – rear (1018W only – not shown)		1
79-1	TS-1550051	Washer (HBS1018 only)	M6	12
80	HBS916W-80	Blade Wheel Cover – right		1
	HBS1018W-80	Blade Wheel Cover – right		1
81	TS-1550041	Washer	M6	4
82	HBS916W-82	Bushing		1
83	HBS916W-83	Washer		1
84	HBS916W-84	Drive Wheel		1
	HBS1018W-84	Drive Wheel	14"	1
85	HBS916W-85E	Blade (local purchase – 916W)		1
	HBS1018W-85E	Blade (local purchase – 1018W)		1
86	HBS916W-86	Hose		1
87	TS-1533031	Pan Head Screw	M5x10	2
88	HBS916W-88	Filter Screen		1
89	TS-1492031	Hex Cap Screw	M12x35	4
89-1	TS-1551081	Lock Washer	M12	4
90	HBS916W-90	Lock Knob		4
91	HBS916W-91	Hinge Pin		2
92	HBS916W-92	Blade Wheel Box – right		1
	HBS1018W-92	Blade Wheel Box – right		1
92-1	TS-1525021	Set Screw	M10x12	2
93	HBS916W-93	Connector		1
	HBS1018W-93	Connector		1

Index	Part			
No.	No.	Description	Size	Qty
94	HBS916W-94	Gear Box Assembly (can only order entire assembly)		1
94-1	HBS916W-94-1	Key	7x7x45MM	1
95	HBS916W-95	Key	7MM	1
96	HBS916W-96E	Pulley Cover		1
	HBS1018W-96E	Pulley Cover		1
96-1	HBS1018W96-1	Hex Cap Bolt	1/4x13	1
97	HBS916W-97	Gear Box Pulley		1
	HBS1018W-97	Gear Box Pulley		1
98	VB-A39	V-Belt (for HBS-916W)		1
	VB-A37	V-Belt (for HBS-1018W)		1
99	HBS916W-99	Motor Pulley		1
	HBS1018W-99	Motor Pulley		1
99-1	TS-1524021	Set Screw	M8x10	2
100	TS-1482031	Hex Cap Bolt	M8x16	2
100-1	TS-1550061	Washer	M8	2
100-2	TS-1551061	Lock Washer	M8	2
101	HBS916W-101	Hose		1
101-1	HBS916W-101-1	Hose		1
102	HBS916W-102	Support Shaft		1
102-1	TS-1550081	Washer	M12	1
102-2	TS-1540081	Hex Nut	M12	1
102-3	HBS916W-102-3	C-Ring	S19	1
103	TS-1492021	Hex Cap Bolt	M12x30	2
103-1	HBS916W-103-1	Hex Cap Bolt	M12x20	2
104	HBS916W-104	Motor Mount Bracket		1
105	HBS916W-105	Column		1
	HBS1018W-105	Column		1
106	TS-1506011	Hex Socket Cap Screw	M12 x 20	6
106-1	TS-1551081	Lock Washer	M12	1
106-2	TS-1540081	Nut	M12	1
107	HBS916W-107	Locking Handle		1
108	TS-1550061	Washer	M8	1
108-1	TS-1551061	Lock Washer	M8	1
109	TS-1490081	Hex Cap Bolt	M8x45	4
109-1	TS-1550061	Washer	M8	4
110	HBS916W-110	Motor Mount Plate		1
111	HBS916W-111AE	Motor 400V (M1)	1-1/2HP, 3Ph, 50Hz	1
	HBS1018W-111AE	Motor 400V (M1)	2HP, 3Ph, 50Hz	1
	HBS1018W-MLAE	Motor Label (not shown)		1
112	TS-1550061	Washer	M8	4
112-1	TS-1551061	Lock Washer	M8	4
113	TS-1540061	Hex Nut	M8	4
114	HBS916-114	Key	7MM	1
115	TS-1550081	Washer	M12	1
116	TS-1504041	Hex Socket Cap Screw	M8x20	2
116-1	HBS916W-116-1	Shaft (HBS916W)		1
117	HBS916W-117	Blade Wheel Cover - left		1
	HBS1018W-117A	Blade Wheel Cover - left		1
118	BB-608VV	Ball Bearing		2
119	TS-1492011	Hex Cap Bolt	M12x25	2

Index No.	Part No.	Description	Size	Qty
120	TS-1550081	Washer	M12	1
121	BB-6205Z	Ball Bearing		3
122	HBS916W-122	Idler Wheel		1
	HBS1018W-122A	Idler Wheel		1
123	HBS916W-123	Blade Guard		1
	HBS1018W-123A	Blade Guard		1
123-1	TS-1550061	Washer	M8	2
123-2	TS-1551061	Lock Washer	M8	1
123-3	TS-1490021	Hex Cap Bolt	M8x16	1
124	HBS916W-124	Guide Bracket – left		1
	HBS916W-124A	Guide Bracket Assembly – left		1
	HBS1018W-124A	Guide Bracket Assembly – left		1
124-1	TS-1504031	Hex Socket Cap Screw (HBS916W)	M8x16	3
	TS-1504031	Hex Socket Cap Screw (HBS1018W)	M8x16	6
125	TS-1540061	Washer	M8	4
126	BB-6201VV	Ball Bearing		8
127	HBS1018W-127	Eccentric Sleeve (outside) (HBS916W)		2
	HBS1018W-127	Eccentric Sleeve (outside) (HBS1018W)		2
127-1	HBS916W-127-1	Eccentric Sleeve (inside) (HBS916W)		2
	HBS1018W-127-1	Eccentric Sleeve (inside) (HBS1018W)		2
128	TS1551061	Lock Washer	M8	4
129	TS1504091	Hex Socket Cap Screw	M8x45	4
130	TS1503071	Hex Socket Cap Screw	M6x30	4
130-1	TS-1550041	Washer	M6	8
130-2	TS-1551041	Lock Washer	M6	4
131	HBS916W-131	Blade Guide		4
132	TS-1504081	Hex Socket Cap Screw (HBS916W)	M8x40	2
	TS-1504081	Hex Socket Cap Screw (HBS1018W)	M8x40	4
133	TS-1551081	Lock Washer (HBS916W)	M8	2
	TS-1551081	Lock Washer (HBS1018W)	M8	4
133-1	TS-1550081	Washer (HBS916W)	M8	2
	TS-1550081	Washer (HBS1018W)	M8	4
134	HBS916W-134	Adjustable Bracket		1
	HBS1018W-134A	Adjustable Bracket		1
135	HBS916W-135	Scale (HBS-916W)		1
	HBS1018W-135	Dovetail Scale		1
135-1	HBS916W-135-1	Rivet (HBS-916W)	M2x5	4
	HBS1018W-135-1	Pan Head Screw (HBS-1018W)	M5x8	4
136	TS-1505031	Hex Socket Cap Screw	M10x25	2
137	HBS916W-137	Slide		1
	HBS1018W-137A	Slide		1
138	HBS916W-138	Blade Bracket – left		1
	HBS1018W-138	Blade Bracket – left		1
139	TS-1492021	Hex Cap Bolt	M12x30	4
139-1	TS-1551081	Lock Washer	M12	4
139-2	TS-1550081	Washer	M12	2
140	TS-1490041	Hex Cap Bolt (HBS-916W)	M8x25	2
140-1	TS-1551061	Lock Washer (HBS-916W)	M8	2
141	HBS916W-141	Knob		1
	HBS1018W-141	Knob		2

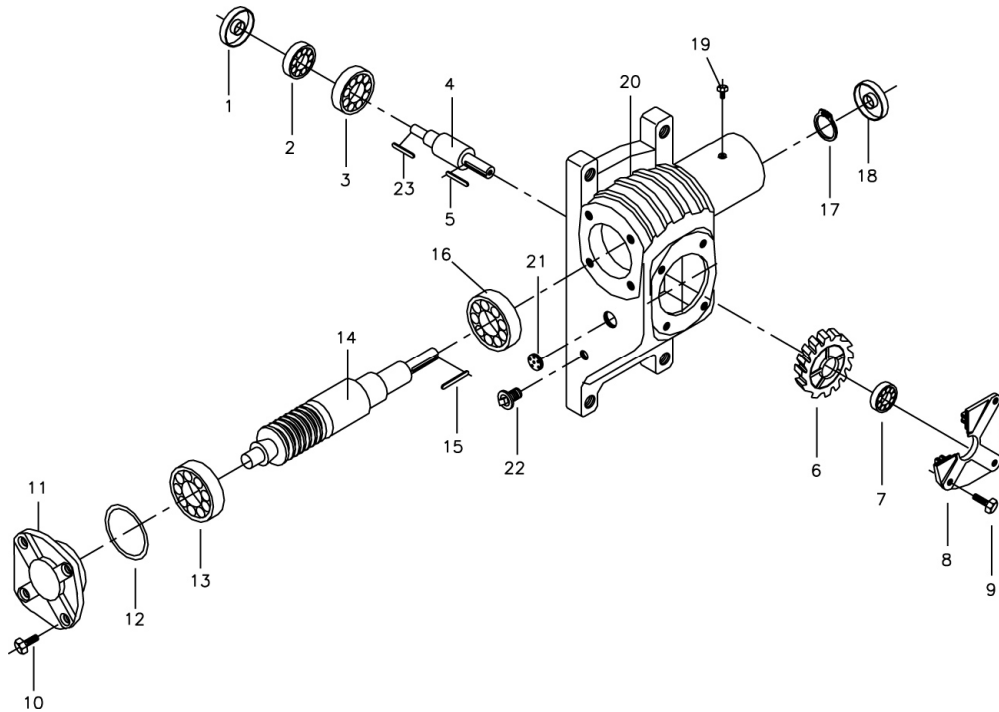
Index No.	Part No.	Description	Size	Qty
142	HBS916W-142	Plate		1
143	TS1524021	Set Screw	M8x10	4
144	HBS916W-144	Blade Bracket – right		1
	HBS1018W-144	Blade Bracket – right		1
145	TS-1482011	Hex Cap Bolt	M6x10	1
145-1	TS-1551041	Lock Washer	M6	1
146	TS-1550041	Washer	M6	1
147	HBS-916W-147	Wire Brush		1
	HBS-1018W-147	Wire Brush		1
148	HBS-916W-148	Wire Brush Rod		1
	HBS-1018W-148	Wire Brush Rod		1
149	HBS-916W-149A	Guide Bracket Assembly - right		1
	HBS-1018W-149A	Guide Bracket Assembly - right		1
150	HBS-916W-150	Spring		1
	HBS-1018W-150	Spring		1
152	TS-1540071	Hex Nut	M10	1
153	TS-1504091	Hex Socket Cap Screw (HBS-916W)	M8x45	1
153-1	TS-1504111	Hex Socket Cap Screw (HBS-916W)	M8x55	1
153-2	TS-1551061	Lock Washer (HBS-916W)	M8	2
153-3	TS-1550051	Washer (HBS-916W)	M8	2
154	HBS1018W-154A	Adjustable Bracket – right (HBS-1018W)		1
155	TS-1540081	Hex Nut	M12	1
156	TS-1492061	Hex Cap Bolt	M12x60	1
157	HBS916W-157	Blade Guard		1
	HBS1018W-157A	Blade Guard		1
157-1	HBS1018W-157-1	Blade Guard – down		1
157-2	TS-1482021	Hex Cap Bolt	M6x12	2
157-3	TS-1550041	Washer	M6	2
157-4	TS-1551041	Lock Washer	M6	2
158	HBS916W-158	Lock Knob		2
159	TS-1523021	Set Screw	M6x8	1
160	HBS916W-160	Adjusting Value		2
160-1	HBS916W-160-1	Clamp		2
160-2	TS-1551041	Lock Washer	M6	4
160-3	TS-1482021	Hex Cap Bolt	M6x12	4
161	HBS916W-161AE	Power Indicator Light	VDE	1
162	HBS916W-162E	Start Switch (SB3)	VDE	1
163	HBS916W-163E	Stop Switch (SB2)	VDE	1
163-1	HBS916W-163-1E	Emergency Stop Switch (SB1)	VDE	1
164	HBS916W-164E	Pump Switch (SA1)	VDE	1
165N	HBS916W-165NE	Feed Control-On/Off		1
	HBS1018W-165NE	Feed Control-On/Off		1
165N-1	HBS916W-165N-1E	Plate		1
	HBS1018W-165N-1E	Plate		1
166	HBS916W-166	Connecting Tube		1
166-1	HBS916W-166-1	Hose Clamp		5
168	HBS916W-168	Control Box		1
168-1	HBS916W-168-1	Pan Head Screw	M5x10	2
168-3	TS-1503031	Hex Socket Cap Screw	M6x12	2
168-4	TS-1550041	Washer	M6	2

Index	Part			
No.	No.	Description	Size	Qty
169	HBS916W-169	Control Panel		1
169-1	HBS916W-169-1	Cutting Feed Rate Selector		1
169-2	HBS916W-169-2	Feed Rate ON/OFF Switch		1
170	TS-1533031	Pan Head Screw	M5x10	6
171	HBS916W-171	Wheel Box - left		1
	HBS1018W-171	Wheel Box - left		1
171-1	HBS916W-171-1	Block (HBS916W)		1
171-2	TS-1551041	Lock Washer (HBS916W)	M6	2
171-3	TS-1482031	Hex Cap Bolt (HBS916W)	M6x16	2
172	HBS916W-172	Handle		1
173	TS-1540081	Hex Nut	M12	2
175	TS-1533031	Pan Head Screw	M5x10	2
176	HBS916W-176	Indicator Scale		1
177	HBS916W-177	Slide Bracket		1
178	HBS916W-178	Tension Scale		1
179	HBS916W-179	Key	5MM	1
180	HBS916W-180	Hand Wheel		1
181	HBS916W-181	Lock Washer	M22x45	13
182	HBS916W-182	Flat Steel Washer		1
183	HBS916W-183	Tension Indicator		1
184	BB-51104	Thrust Bearing		1
187	HBS916W-187	Slide		1
188	TS-1524021	Set Screw	M8x10	1
189	HBS916W-189	Extension Bar		1
190	HBS916W-190	Wheel Shaft		1
191	HBS916W-191	Nut /w Hole for Set Screw	M14	1
191-1	TS-2276081	Set Screw	M6x8	1
192	TS-1504051	Hex Socket Cap Screw	M8x25	4
193	TS-1492011	Hex Socket Cap Screw	M12x25	1
194	HBS916W-194	Gib		2
195	HBS916W-195	Hex Cap Screw (re:HBS916W-196)		3
196	HBS916W-196	Screw Assembly		3
196-1	HBS916W-196-1	Lock Washer (re:HBS916W-196)		3
197	HBS916W-197	Hose Fitting		1
198	HBS916W-198	Hose Clamp		1
199	HBS916W-199	Hose Clamp		2
	HBS1018W-199	Hose Clamp		1
200	HBS916W-200	Nut		1
201	HBS916W-201	Strain Relief Fitting		1
202	HBS916W-202AE	Power Cord with Plug (H07RN-F 4Gx1.0m •) 400V		1
202-1	HBS916W-202-1E	Control Cord (0.75m •)(not shown)		1
202-2	HBS916W-202-2AE	Motor Cord (1.25m • x4c)(not shown)	400V	1
203	HBS916W-203	Screw		1
204	HBS916W-204E	Name Plate (Not Shown)		1
206	HBS1018W-206E	Speed Chart Label		1
207	HBS916W-207	Hose		1
208	HBS916W-208	Hose		1
213	TS-1550071	Washer	M10	2
214	HBS1018W-214	Clamp		2
215	HBS916W-215	Cu Connector		1

Index Part				
No.	No.	Description	Size	Qty
	HBS1018W-215	Cu Connector		2
215-1	HBS916W-215-1	Cu Connector (HBS916W)		1
216	TS-1504051	Hex Socket Cap Screw	M8x25	2
217	HBS916W-217	Slide Bracket		1
218	HBS916W-218	Lead Screw Bracket		1
219	HBS916W-219	Rack Block		1
	HBS1018W-219	Rack Block		1
220	HBS916W-220	Rack		1
	HBS1018W-220	Rack		1
221	HBS916W-221	Pin		1
222	HBS916W-222	Plate		1
	HBS1018W-222	Plate		1
223	TS-1503011	Hex Socket Cap Screw	M6x8	2
224	HBS916W-224	Rubber Ring		2
225	HBS1018W-225E	Eccentric Shaft		2
225-1	HBS916W-225-1	Set Screw	M6x8	2
226	HBS1018W-226E	Wheel cover Limit Switch (SQ1,SQ2)		2
227	HBS1018W-227E	Round Head Screw	5/32x32	4
228	HBS1018W-228E	Limit Switch Guard		2
229	HBS1018W-229E	Round Head Screw	M5x10	4
230	HBS1018W-230E	Belt Cover Safety Limit Switch (SQ4)		1
231	HBS1018W-231E	Round Head Screw	5/32x32	2
232	HBS1018W-232E	Limit Switch Plate		1
233	HBS1018W-233E	Hex Cap Bolt	M6x12	2
234	HBS1018W-234E	Lock Washer	M6	2

Parts List For Gear Speed Reducing Box Assembly

Index No.	Part No.	Description	Size	Qty
1.....	HBS916W-94-01.....	Oil Seal	35x55x8.....	1
2.....	HBS916W-94-02.....	Bearing.....	30207	1
3.....	HBS916W-94-03.....	Bearing.....	6207	1
4.....	HBS916W-94-04.....	Shaft		1
5.....	HBS916W-94-05.....	Key.....	8x7x30	1
6.....	HBS916W-94-06.....	Gear Wheel		1
7.....	HBS916W-94-07.....	Bearing.....	6206.....	1
8.....	HBS916W-94-08.....	Output Shaft Cover.....		1
9.....	HBS916W-94-09.....	Output Hex Cap Screw.....	M10x20	4
10.....	HBS916W-94-10.....	Input Hex Cap Screw.....	M8x20	4
11.....	HBS916W-94-11.....	Input Shaft Cover.....		1
12.....	HBS916W-94-12.....	Washer.....		1
13.....	HBS916W-94-13N.....	Bearing.....	30205	1
14.....	HBS916W-94-14.....	Input Shaft.....		1
15.....	HBS916W-94-15.....	Key.....	7x7x60	1
16.....	HBS916W-94-16.....	Bearing.....	6205.....	1
17.....	HBS916W-94-17.....	C-ring	R52	1
18.....	HBS916W-94-18.....	Oil Seal	25x52x8.....	1
19.....	HBS916W-94-19.....	Vent Bolt.....		1
20.....	HBS916W-94-20.....	Gear Box.....		1
21.....	HBS916W-94-21.....	Oil Lens.....		1
22.....	HBS916W-94-22.....	Draw Plug.....		1
23.....	HBS916W-94-23.....	Key.....	7x7x45	1



HBS-916W/HBS1018W 414468T/414473T

	colour of strands	Litzenfarben	couleur des cordons
BK	black	schwarz	noir
WH	white	weiß	blanc
BU	blue	blau	bleu
YE	yellow	gelb	jaune
RD	red	rot	rouge
BN	brown	braun	brun
GY	grey	grau	gris
GNYE	green-yellow	grün-gelb	vert-jaune
OG	orange	orange	orange
VT	violet	violett	violet

	meaning of symbol	Bedeutung der Zeichen	interprétation
M1	main motor	hauptmotor	moteur principal
M2	Coolant pump	Kühlmittelpumpe	Pompe de liquide réfrigérant
QS	main power switch	türschalter	interrupteur de port
FU1	ac fuse to transformer	sicherung	fusible
FU2	ac low voltage to transformer	sicherung	fusible
FU3	ac low voltage to transformer	sicherung	fusible
KM1	contractors	schütz	contacteur
KM2	contractors	schütz	contacteur
FR	overload relay	überlastschutzschalter	déclencheur surcharge
TR	transformer	transformator	transformateur
SQ3	cut-off limit switch	positionsendschalter	micro
SQ1	limit switch wheel	positionsendschalter	micro
SQ2	limit switch of pulley cover	positionsendschalter	micro
SQ4	limit switch of pulley cover	positionsendschalter	micro
SB1	emergency stop switch	not-aus schalter	arrêt d'urgence
SB2	stop off	aus-schalter	bouton arrêt
SB3	start on	ein-schalter	bouton marche
SA1	pump switch	kühlmittel-schalter	commutateur pompe

400/50/3

