

JET

HBS-1220DC

ЛЕНТОЧНОПИЛЬНЫЙ СТАНОК

HBS-1220DC...ITA1220DC .. 3~380V, 50Hz

ДЕТАЛИРОВКА

Walter Meier (Tool) AG

Tämperlistrasse 5

CH-8117 Fällanden

Switzerland

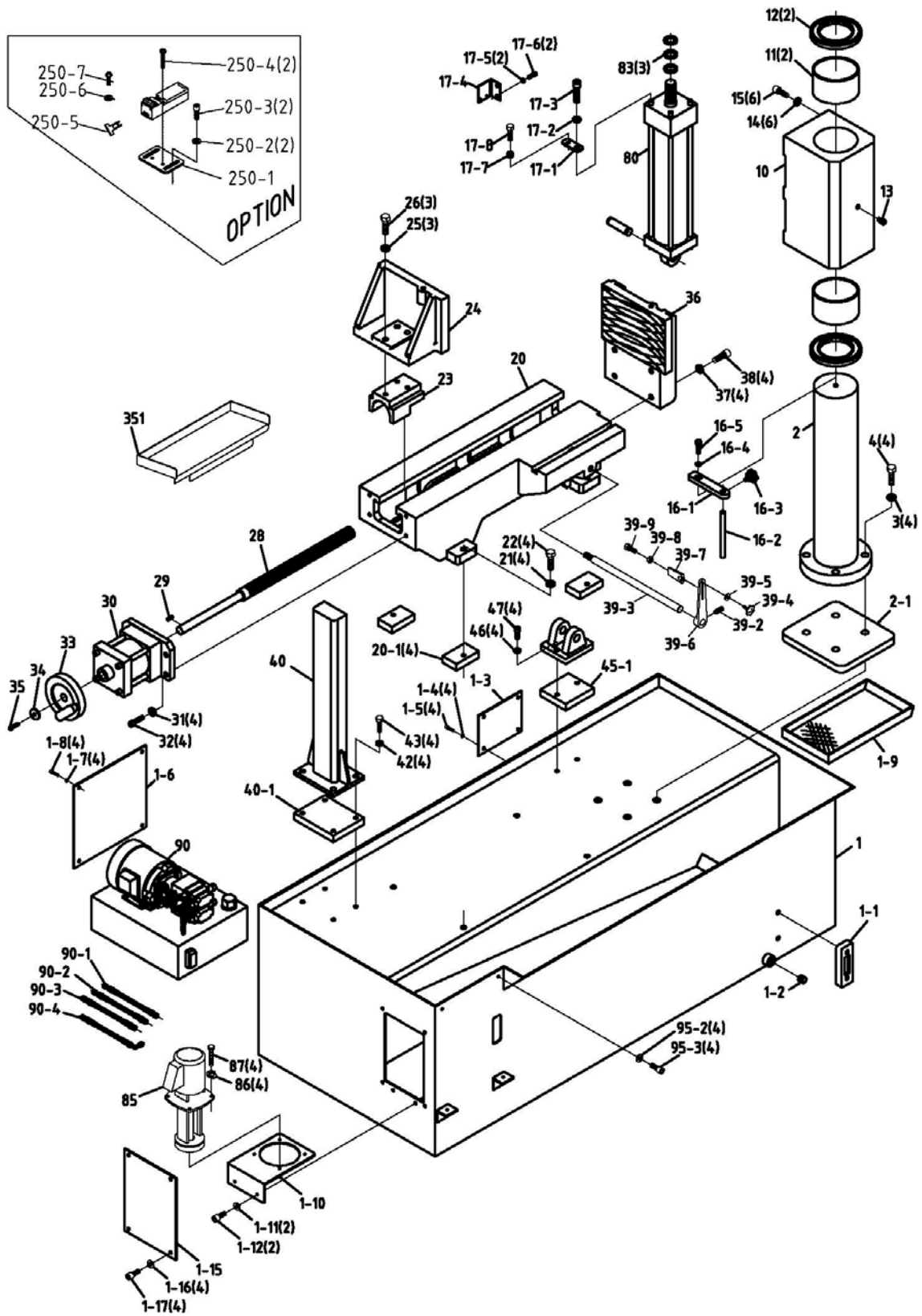
Phone +41 44 806 47 48

Fax +41 44 806 47 58

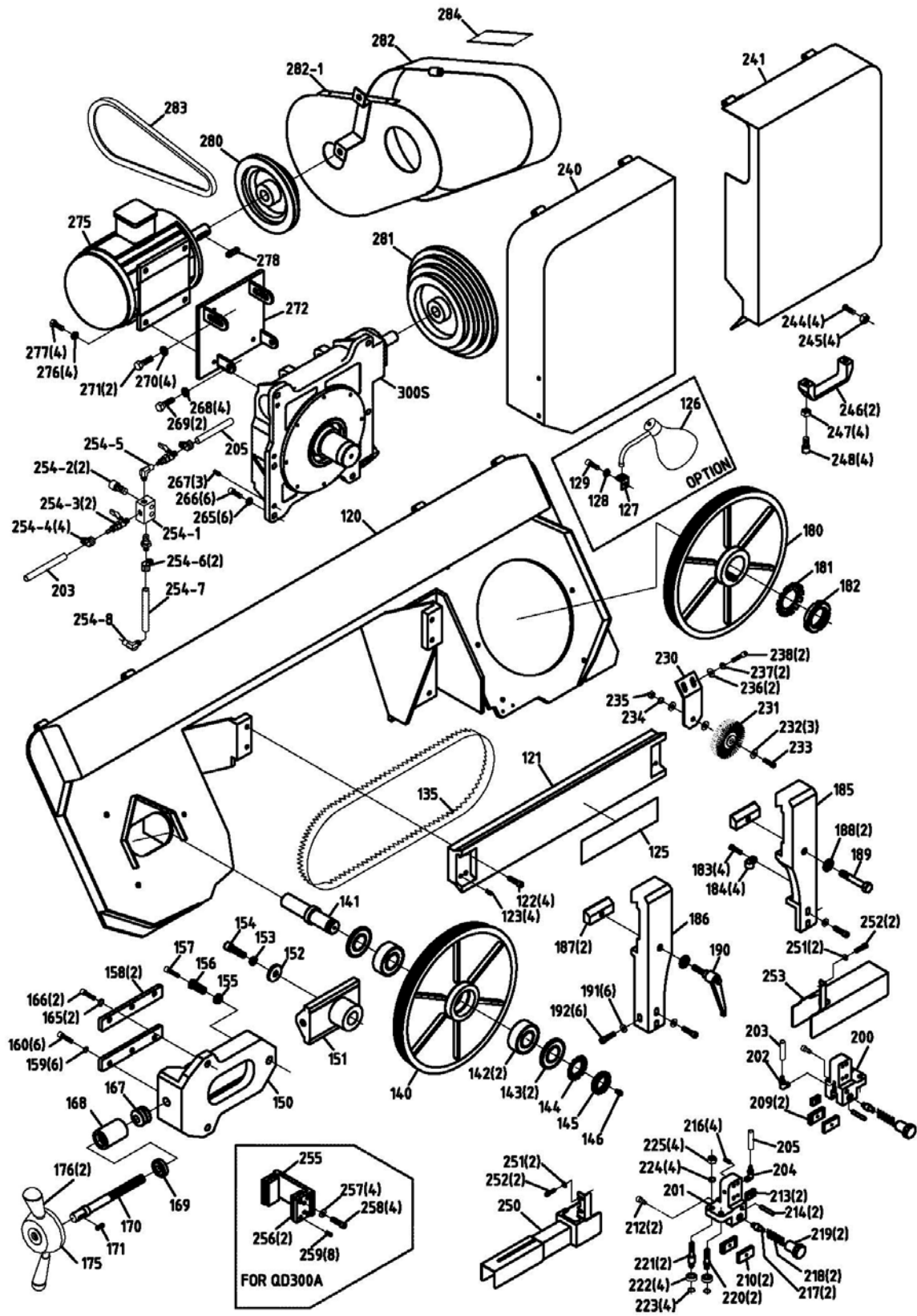
jetinfo.eu@waltermeier.com

www.jettools.com

HBS-1220DC Breakdown for Stand Assembly



HBS-1220DC Breakdown for Bow Assembly



HBS-1220DC Part list for Stand and Bow Assembly

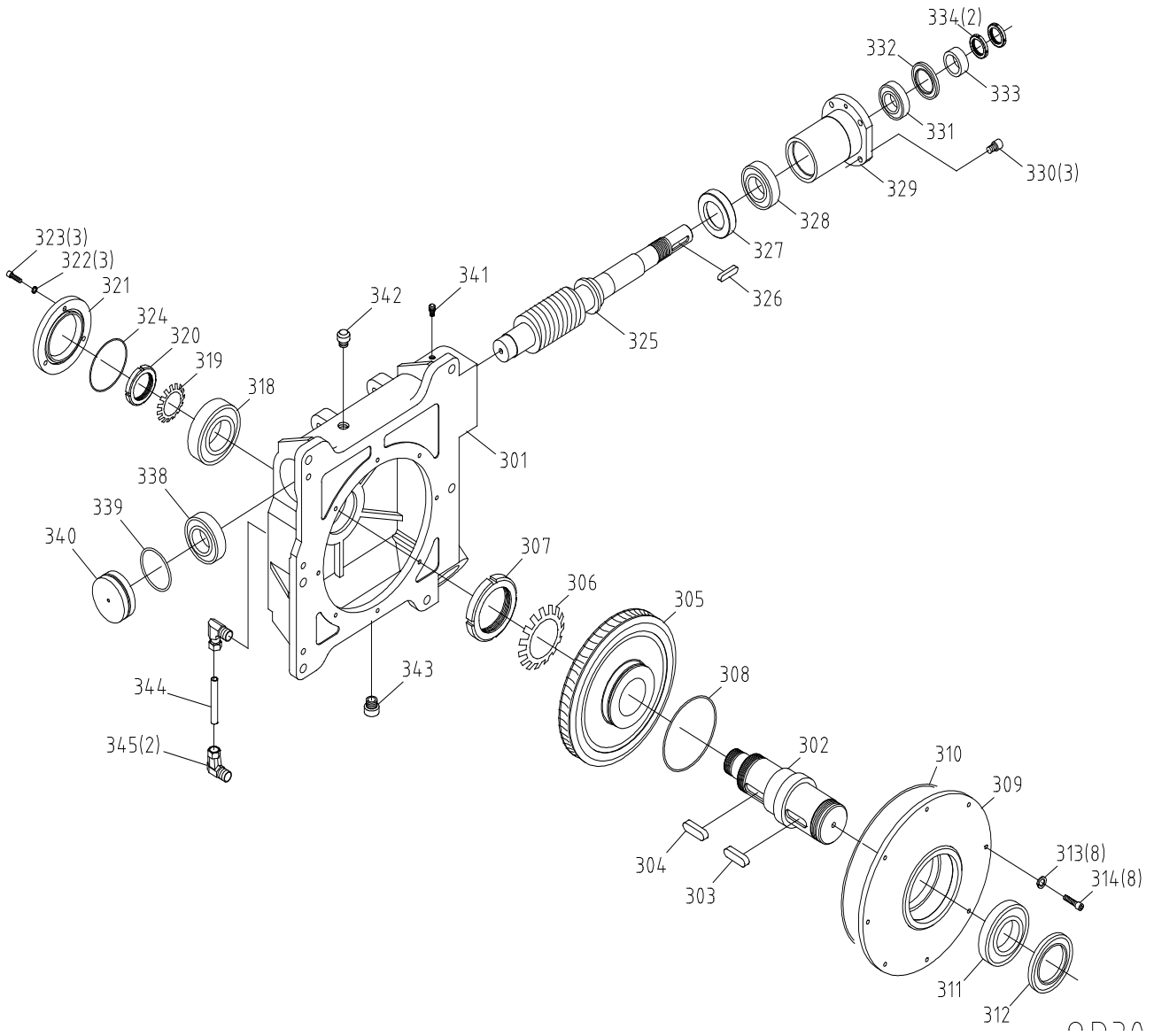
Index No.	Part No.	Description	Size	Qty
1	HBS1220DC-01	Stand		1
1-1	HBS1220DC-1-1	Fuel gauge		1
1-2	HBS1220DC-1-2	Oil Hole Plug	PT-1/2"	1
1-3	HBS1220DC-1-3	side cover		1
1-4	HBS1220DC-1-4	Spring Washer	M6	4
1-5	HBS1220DC-1-5	Round cross screw hole	M6X12L	4
1-6	HBS1220DC-1-6	side cover		1
1-7	HBS1220DC-1-7	Spring Washer	M6	4
1-8	HBS1220DC-1-8	Round cross screw hole	M6X12L	4
1-9	HBS1220DC-1-9	Sheng cut tank		1
1-10	HBS1220DC-1-10	Bracket		1
1-11	HBS1220DC-1-11	Spring Washer	M6	2
1-12	HBS1220DC-1-12	Round cross screw hole	M6X12L	2
1-15	HBS1220DC-1-15	side cover		1
1-16	HBS1220DC-1-16	Spring Washer	M6	4
1-17	HBS1220DC-1-17	Round cross screw hole	M6X12L	4
2	HBS1220DC-2	Stand charge		1
2-1	HBS1220DC-2-1	Plate		1
3	HBS1220DC-3	Spring Washer	M16	4
4	HBS1220DC-4	Hex. Head Screw	M16X50L	4
10	HBS1220DC-10	Guide Block		1
11	HBS1220DC-11	Bushing	110x115x95L	2
12	HBS1220DC-12	Oil Seal	DKB110x126x12B	2
13	HBS1220DC-13	Grease Fitting	PT-1/8"	1
14	HBS1220DC-14	Spring Washer	M12	6
15	HBS1220DC-15	Hex. Socket Head Screw	M12X35L	6
16-1	HBS1220DC-16-1	Upper support plate		1
16-2	HBS1220DC-16-2	Ceiling support rods		1
16-3	HBS1220DC-16-3	Plum Screw	M6x13L	1
16-4	HBS1220DC-16-4	Spring Washer	M10	1
16-5	HBS1220DC-16-5	Hex. Head Screw	M10X25L	1
17-1	HBS1220DC-17-1	Touch piece		1
17-2	HBS1220DC-17-2	Spring Washer	M10	1
17-3	HBS1220DC-17-3	Hex. Socket Head Screw	M10X20L	1
17-4	HBS1220DC-17-4	Lower bracket		1
17-5	HBS1220DC-17-5	Spring Washer	M6	2
17-6	HBS1220DC-17-6	Hex. Socket Head Screw	M6X15L	2
17-7	HBS1220DC-17-7	Hex. Nut	M10	1
17-8	HBS1220DC-17-8	Hex. Head Screw	M10X35L	1
20	HBS1220DC-20	Base		1
20-1	HBS1220DC-20-1	Plate		4
21	HBS1220DC-21	Spring Washer	M12	4
22	HBS1220DC-22	Hex. Socket Head Screw	M12X45L	4
23	HBS1220DC-23	Base Nut		1
24	HBS1220DC-24	Vice activities		1
25	HBS1220DC-25	Spring Washer	M12	3
26	HBS1220DC-26	Hex. Head Screw	M12X50L	3
28	HBS1220DC-28	Screws		1
29	HBS1220DC-29	Two-round key	KEY=5X5X25L	1
30	HBS1220DC-30	Hydraulic cylinder		1
31	HBS1220DC-31	Spring Washer	M10	4
32	HBS1220DC-32	Hex. Socket Head Screw	M10X40L	4
33	HBS1220DC-33	Hand wheel		1
35	HBS1220DC-35	Hex. Socket Head Screw	M6X12L	1

Index No.	Part No.	Description	Size	Qty
36	HBS1220DC-36	Fixed Vise		1
37	HBS1220DC-37	Spring Washer	M12	4
38	HBS1220DC-38	Hex. Socket Head Screw	M12X50L	4
39S	HBS1220DC-39S	Length Stop Set		1
39-2	HBS1220DC-39-2	Hex. Headless Screw	M6-1.0Px10L	1
39-3	HBS1220DC-39-3	Distance Set Rod		1
39-4	HBS1220DC-39-4	Plum Screw		1
39-5	HBS1220DC-39-5	Washer	1/4"x19xt1.5mm	1
39-6	HBS1220DC-39-6	Support Rod		1
39-7	HBS1220DC-39-7	Distance Set Bracket		1
39-8	HBS1220DC-39-8	Hex. Nut	M10-1.5P	1
39-9	HBS1220DC-39-9	Hex. Head Screw	M10-1.5Px25L	1
40	HBS1220DC-40	Sliding column		1
40-1	HBS1220DC-40-1	Plate		1
42	HBS1220DC-42	Spring Washer	M12	4
43	HBS1220DC-43	Hex. Head Screw	M12X30L	4
45-1	HBS1220DC-45-1	Plate		1
46	HBS1220DC-46	Spring Washer	M10	4
47	HBS1220DC-47	Hex. Socket Head Screw	M10X40L	4
80	HBS1220DC-80	Hydraulic cylinder		1
83	HBS1220DC-83	Hex. Nut	M24XP2	3
85	HBS1220DC-85	pump	220V/440V/3PH	1
86	HBS1220DC-86	Spring Washer	M6	4
87	HBS1220DC-87	Hex. Head Screw	M6-1.0Px15L	4
90	HBS1220DC-90	Hydraulic unit	1HP,,3CC/red	1
90-1	HBS1220DC-90-1	Hydraulic tube	1/4"X1/4HX1050L	1
90-2	HBS1220DC-90-2	Hydraulic tube	1/4"X1/4HX1050L	1
90-3	HBS1220DC-90-3	Hydraulic tube	1/4"X1/4HX1600L	1
90-4	HBS1220DC-90-4	Hydraulic tube	1/4"X1/4HX2800L	1
95-1	HBS1220DC-95-1	Door panel		1
95-2	HBS1220DC-95-2	Washer	M6	4
95-3	HBS1220DC-95-3	Hex. Headless Screw	M6X10L	4
120	HBS1220DC-120	Bow Saw		1
121	HBS1220DC-121	Cross-Supports		1
122	HBS1220DC-122	Hex. Socket Head Screw	M10X45L	4
123	HBS1220DC-123	Hex. Headless Screw	M10X20L	4
125	HBS1220DC-125	Slide rear sight		1
126	HBS1220DC-126	Work lamp		1
127	HBS1220DC-127	Bracket		1
128	HBS1220DC-128	Spring Washer	M8	1
129	HBS1220DC-129	Hex. Socket Head Screw	M8X15L	1
135	HBS1220DC-135	Band saw	3950X34X1.1	1
140	HBS1220DC-140	Driven wheel		1
141	HBS1220DC-141	Driven shaft		1
142	HBS1220DC-142	Oblique roller bearings	#30207J	2
143	HBS1220DC-143	Bearing anti-dust cover		2
144	HBS1220DC-144	Bearing washer	AW-07	1
145	HBS1220DC-145	Bearing nut	AN-07,M35XP1.5	1
146	HBS1220DC-146	Grease Fitting	PT-1/8"	1
150	HBS1220DC-150	Tension slide		1
151	HBS1220DC-151	Tension slider		1
152	HBS1220DC-152	Gasket		1
153	HBS1220DC-153	Spring Washer	M10	1
154	HBS1220DC-154	Hex. Socket Head Screw	M10X20L	1
155	HBS1220DC-155	Nut		1
156	HBS1220DC-156	Adjustable Screw		1

Index No.	Part No.	Description	Size	Qty
157	HBS1220DC-157	Hex. Socket Head Screw	M12X75L	1
158	HBS1220DC-158	Plate		2
159	HBS1220DC-159	Spring Washer	M10	6
160	HBS1220DC-160	Hex. Socket Head Screw	M10X25L	6
165	HBS1220DC-165	Spring Washer	M14	2
166	HBS1220DC-166	Hex. Socket Head Screw	M14X45L	2
167	HBS1220DC-167	Compression spring		1
168	HBS1220DC-168	Casing		1
169	HBS1220DC-169	Client bearing	#51104	1
170	HBS1220DC-170	Tension Screw		1
171	HBS1220DC-171	Single round head key	6X6X25L	1
175	HBS1220DC-175	Blade Tension Handle		1
176	HBS1220DC-176	Knob		2
180	HBS1220DC-180	Driving wheel		1
181	HBS1220DC-181	Bearing washer	AW-13	1
182	HBS1220DC-182	Bearing nut	AN-13,,M65XP2	1
183	HBS1220DC-183	Round cross screw hole	M5X10L	4
184	HBS1220DC-184	Hose clamp	PlasticX1/4"	4
185	HBS1220DC-185	Master Arm		1
186	HBS1220DC-186	Left Arm		1
187	HBS1220DC-187	Briquetting		2
188	HBS1220DC-188	Washer	M12	2
189	HBS1220DC-189	Hex. Head Screw	M12X60L	1
190	HBS1220DC-190	Handle any	M12X60L	1
191	HBS1220DC-191	Washer	M10	6
192	HBS1220DC-192	Hex. Socket Head Screw	M10X30L	6
200	HBS1220DC-200	Blade Adjustable (Rear)		1
201	HBS1220DC-201	From the guide block		1
202	HBS1220DC-202	90 degree copper connectors	PT-1/8"X1/4"	1
203	HBS1220DC-203	Tube	1/4net pipeX450L	1
204	HBS1220DC-204	90 degree copper connectors	PT-1/8"X1/4"	1
205	HBS1220DC-205	Tube	1/4net pipeX800L	1
209	HBS1220DC-209	Guides		2
210	HBS1220DC-210	Guides		2
212	HBS1220DC-212	Hex. Socket Head Screw	M6x15L	2
213	HBS1220DC-213	Up Guides		2
214	HBS1220DC-214	Bearing Pin		2
216	HBS1220DC-215	Hex. Headless Screw	M8X20L	4
217	HBS1220DC-216	Pressure Shaft		2
218	HBS1220DC-217	Compression spring		2
219	HBS1220DC-219	Pressure block		2
220	HBS1220DC-220	Leading axle		2
221	HBS1220DC-221	After the lead axle		2
222	HBS1220DC-222	Ball Bearings	#6200-RS	4
223	HBS1220DC-223	C-Retainer Ring	S10	4
224	HBS1220DC-224	Spring Washer	M10	4
225	HBS1220DC-225	Hex. Nut	M10	4
230	HBS1220DC-230	brush holder		1
231	HBS1220DC-231	Brush wheel		1
232	HBS1220DC-232	Washer	M8	3
233	HBS1220DC-233	Hex. Headless Screw	M8X40L	1
234	HBS1220DC-234	Spring Washer	M8	1
235	HBS1220DC-235	Hex. Nut	M8	1
236	HBS1220DC-236	Washer	M6	2
237	HBS1220DC-237	Spring Washer	M6	2
238	HBS1220DC-238	Hex. Socket Head Screw	M6X15	2

Index No.	Part No.	Description	Size	Qty
240	HBS1220DC-240	Driven wheel cover		1
241	HBS1220DC-241	Drive Wheel Cover		1
242	HBS1220DC-242	Hex. Socket Head Screw	M8X45L	5
243	HBS1220DC-243	Support rod		2
244	HBS1220DC-244	Hex. Head Screw	M6X15	4
245	HBS1220DC-245	Hex. Nut	M6	4
246	HBS1220DC-246	Knob		2
247	HBS1220DC-247	Hex. Nut	M8	4
248	HBS1220DC-248	Round Head Screw	M8X20L	4
250	HBS1220DC-250	Cover from the serrated		1
251	HBS1220DC-251	Washer	M6	4
252	HBS1220DC-252	Round Head Screw	M6X16L	4
253	HBS1220DC-253	Cover Master sawtooth		1
254-1	HBS1220DC-254-1	3 Way Valve		1
254-2	HBS1220DC-254-2	Hex. Socket Head Screw	M6x30L	2
254-3	HBS1220DC-254-3	Copper Hancock	PT1/4X1/4	2
254-4	HBS1220DC-254-4	Hose Clamp	SUS304X1/4"	4
254-5	HBS1220DC-254-5	90 degree copper connectors	PT1/4XPT1/4	1
254-6	HBS1220DC-254-6	Hose Clamp	SUS304X1/2"	2
254-7	HBS1220DC-254-7	Tube	1/2X2800L	1
254-8	HBS1220DC-254-8	90 degree copper connectors	PT3/8X1/2	1
255	HBS1220DC-255	Bracket		1
256	HBS1220DC-256	Sliding plate		2
257	HBS1220DC-257	Washer	M8	4
258	HBS1220DC-258	Hex. Socket Head Screw	M8X20L	4
259	HBS1220DC-259	Hex. Headless Screw	M6X10L	8
265	HBS1220DC-265	Spring Washer	M12	6
266	HBS1220DC-266	Hex. Socket Head Screw	M12X35L	6
267	HBS1220DC-267	Hex. Headless Screw	M12X20L	3
268	HBS1220DC-268	Washer	M12	4
269	HBS1220DC-269	Hex. Head Screw	M12X30L	2
270	HBS1220DC-270	Washer	M12	4
271	HBS1220DC-271	Hex. Head Screw	M12X30L	2
272	HBS1220DC-272	Motor plate		1
275	HBS1220DC-275	Main Motor	3HP	1
276	HBS1220DC-276	Spring Washer	M10	4
277	HBS1220DC-277	Hex. Head Screw	M10X25L	4
278	HBS1220DC-278	Single round head key	8X7X40L	1
280	HBS1220DC-280	Motor pulley		1
281	HBS1220DC-281	Gear pulley		1
282	HBS1220DC-282	Motor Wheel Cover		1
282-1	HBS1220DC-282-1	Motor wheel plate		1
283	HBS1220DC-283	V-Belt	A-47	1
284	HBS1220DC-284	LABLE		1

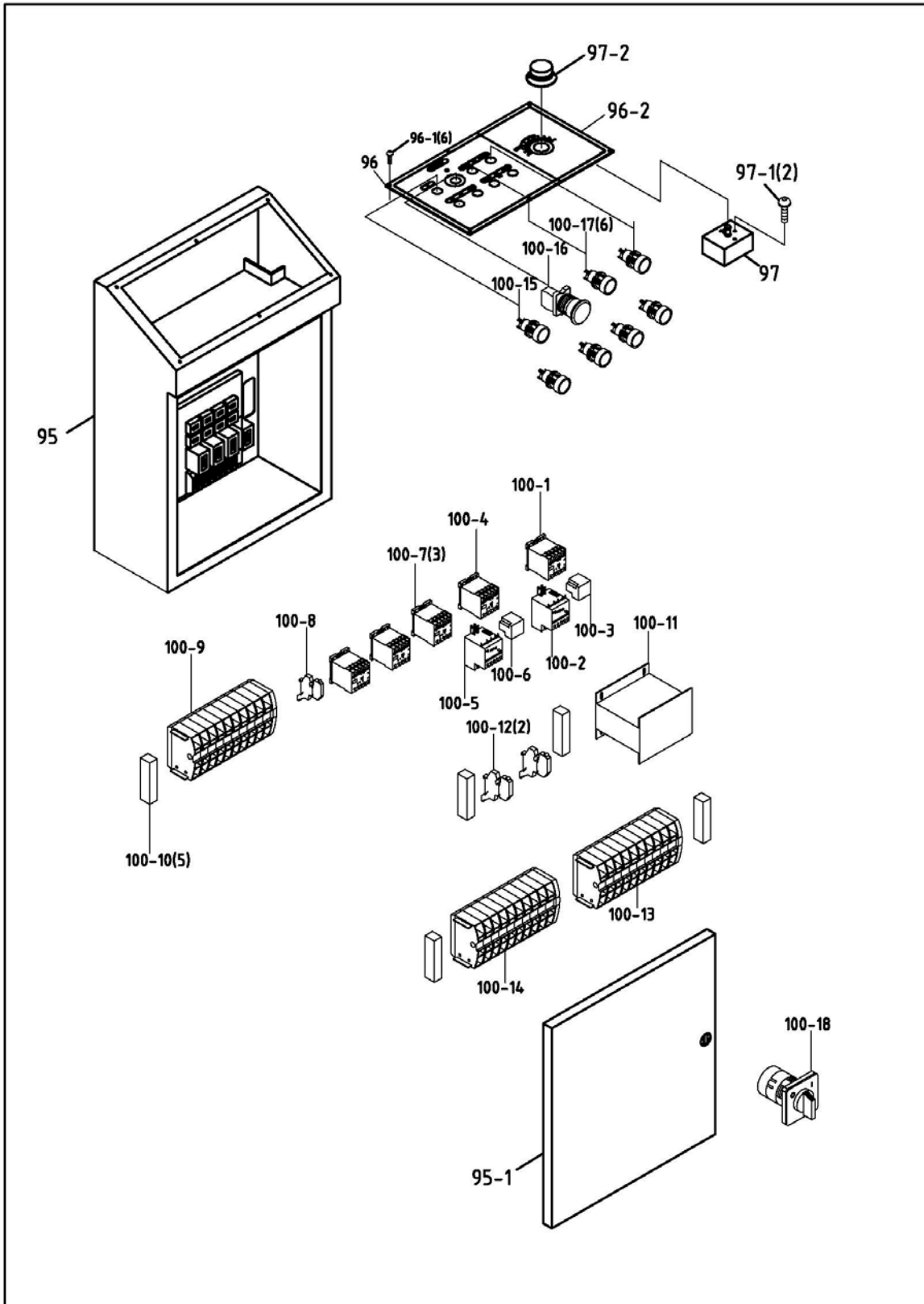
HBS1220DC Breakdown for Gear Box transmission Assembly



HBS1220DC Part list for Gear Box transmission Assembly

Index No.	Part No.	Description	Size	Qty
300S	HBS1220DC-300S	Gear box Assembly	#137.5,E=22.5	1
301	HBS1220DC-301	Gearbox		1
302	HBS1220DC-302	Output Shaft		1
303	HBS1220DC-303	Two-round key	15X10X50L	1
304	HBS1220DC-304	Two-round key	15X10X45L	1
305	HBS1220DC-305	Worm gear		1
306	HBS1220DC-306	Bearing washer	AW-12	1
307	HBS1220DC-307	Bearing nut	AN-12,,M60XP2	1
308	HBS1220DC-308	O-Retainer Ring	G85,,ID85x3.1W	1
309	HBS1220DC-309	Cap		1
310	HBS1220DC-310	O-Retainer Ring	G245,ID245x3.1W	1
311	HBS1220DC-311	Oblique roller bearings	#32013J	1
312	HBS1220DC-312	Oil Seal	TC75X100X12B	1
313	HBS1220DC-313	Spring Washer	M8	8
314	HBS1220DC-314	Hex. Socket Head Screw	M8X25L	8
318	HBS1220DC-318	Oblique roller bearings	#30208	1
319	HBS1220DC-319	Bearing washer	AW-08	1
320	HBS1220DC-320	Bearing nut	AN-08,,M40XP1.5	1
321	HBS1220DC-321	After the cover		1
322	HBS1220DC-322	Spring Washer	M6	3
323	HBS1220DC-323	Hex. Socket Head Screw	M6X25L	3
324	HBS1220DC-324	O-Retainer Ring	G80,,ID80x3.1W	1
325	HBS1220DC-325	Worm		1
326	HBS1220DC-326	Two-round key	8X7X40L	1
327	HBS1220DC-327	Oil Seal Cover		1
328	HBS1220DC-328	Oblique roller bearings	#30207J	1
329	HBS1220DC-329	Input shaft cover		1
330	HBS1220DC-330	Hex. Socket Head Screw	M8X20L	3
331	HBS1220DC-331	Oblique roller bearings	#30206	1
332	HBS1220DC-332	Oil Seal	TC40X62X9B	1
333	HBS1220DC-333	Collar		1
334	HBS1220DC-334	Bearing nut	AN-06,,M30XP1.5	2
338	HBS1220DC-338	Ball Bearings	#6207-Z	1
339	HBS1220DC-339	O-Retainer Ring	G65,,ID65x3.1W	1
340	HBS1220DC-340	Client cover		1
341	HBS1220DC-341	Grease Fitting	PT-1/8"	1
342	HBS1220DC-342	oil plug	PT-1/2"	1
343	HBS1220DC-343	Oil Hole Plug	PT-3/8"	1
344	HBS1220DC-344	PU transparent tube	D=6mm,120L	1
345	HBS1220DC-345	90 degree copper connectors	PT1/8X6mm	2
350-1	HBS1220DC-350-1	Micro Switch Bracket		4
350-2	HBS1220DC-350-2	Washer	M5	4
350-3	HBS1220DC-350-3	Hex. Socket Head Screw	M5X8L	4
350-4	HBS1220DC-350-4	Cross Round Head Screw	M4x25L	4
350-5	HBS1220DC-350-5	Switch Plate		2
350-6	HBS1220DC-350-6	Washer	M4	4
350-7	HBS1220DC-350-7	Cross Round Head Screw	M4x10L	4
351	HBS1220DC-351	Fluid Collected Plate		1

HBS-1220DC Breakdown for Electric Box Assembly



HBS-1220DC Part list for Electric Box Assembly

Index No.	Part No.	Description	Size	Qty
95	HBS1220DC-95	Electronic Control Box		1
95-1	HBS1220DC-95-1	Door panel		1
96	HBS1220DC-96	Operating stickers		1
96-1	HBS1220DC-96-1	Round cross screw hole	M5X10L	6
96-2	HBS1220DC-96-2	Oil-control sticker		1
97	HBS1220DC-97	Valve		1
97-1	HBS1220DC-97-1	Flat Head Cap Screws	M5X10L	2
97-2	HBS1220DC-97-2	Knob		1
100	HBS1220DC-100	Electronic Control Components Assembly(not show)		1
100-1	HBS1220DC-100-1	Electromagnetic contactor		1
100-2	HBS1220DC-100-2	Overload protection	5-8A	1
100-3	HBS1220DC-100-3	Auxiliary contacts		1
100-4	HBS1220DC-100-4	Electromagnetic contactor		1
100-5	HBS1220DC-100-5	Overload protection	1.8-2.4A	1
100-6	HBS1220DC-100-6	Auxiliary contacts		1
100-7	HBS1220DC-100-7	Electromagnetic contactor		3
100-8	HBS1220DC-100-8	Fuse	5A	1
100-9	HBS1220DC-100-9	Double terminal block		17
100-10	HBS1220DC-100-10	Fixed film		5
100-11	HBS1220DC-100-11	Transformer	200VA	1
100-12	HBS1220DC-100-12	Fuse	4A	2
100-13	HBS1220DC-100-13	European-style terminal		6
100-14	HBS1220DC-100-14	Indicator		1
100-15	HBS1220DC-100-15	Flat button switch		1
100-16	HBS1220DC-100-16	Emergency switch		1
100-17	HBS1220DC-100-17	Flat button switch		6
100-18	HBS1220DC-100-18	Main power switch		1

HBS-1220DC...ITA1220DC 3~380V, 50Hz

