

JET

HVBS-34VS METAL BANDSAW

**50000310M
230/50/1**

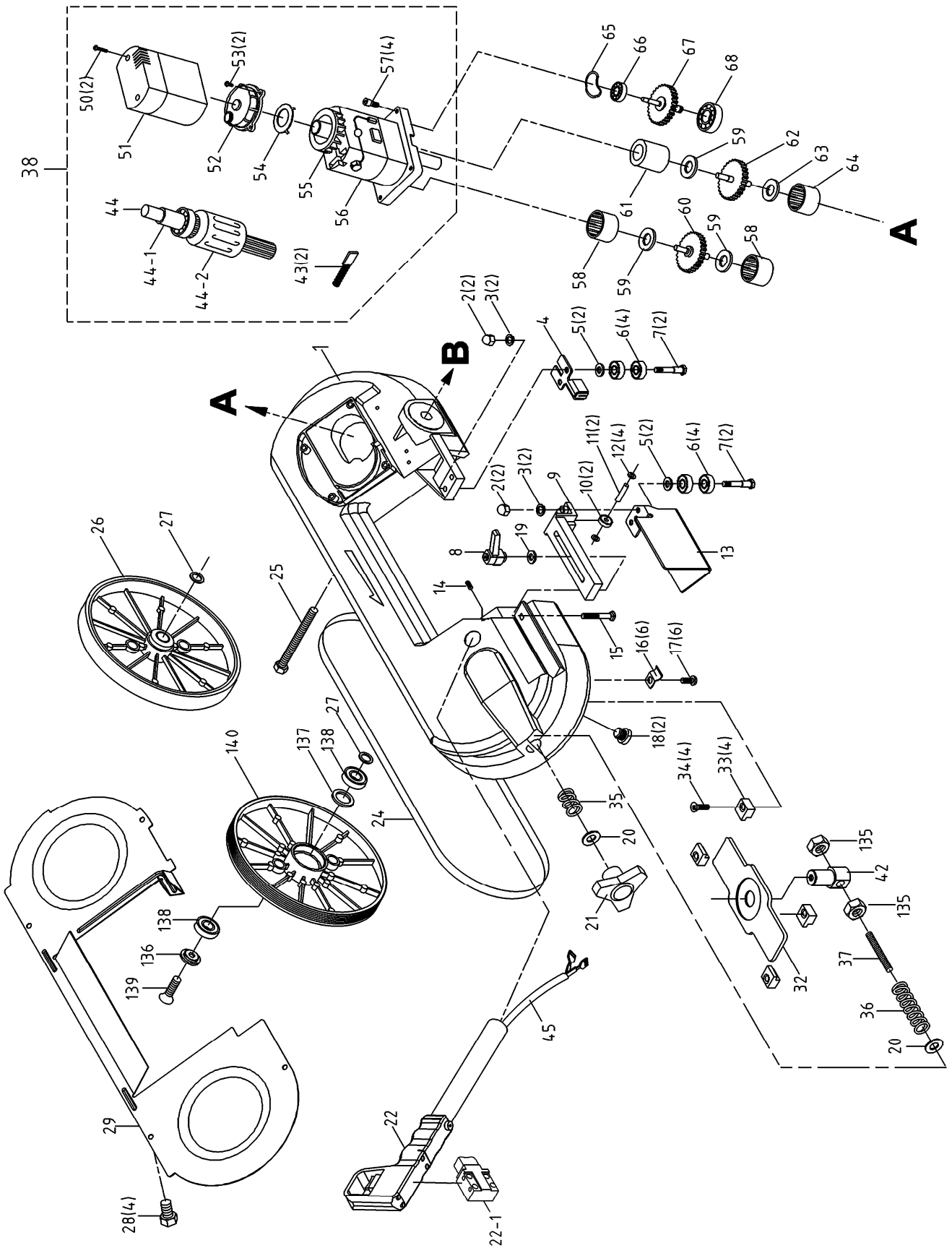
PARTS LIST

Walter Meier (Tool) AG
Tämperlistrasse 5
CH-8117 Fällanden
Switzerland
Phone +41 44 806 47 48
Fax +41 44 806 47 58
jetinfo.eu@waltermeier.com
www.jettools.com

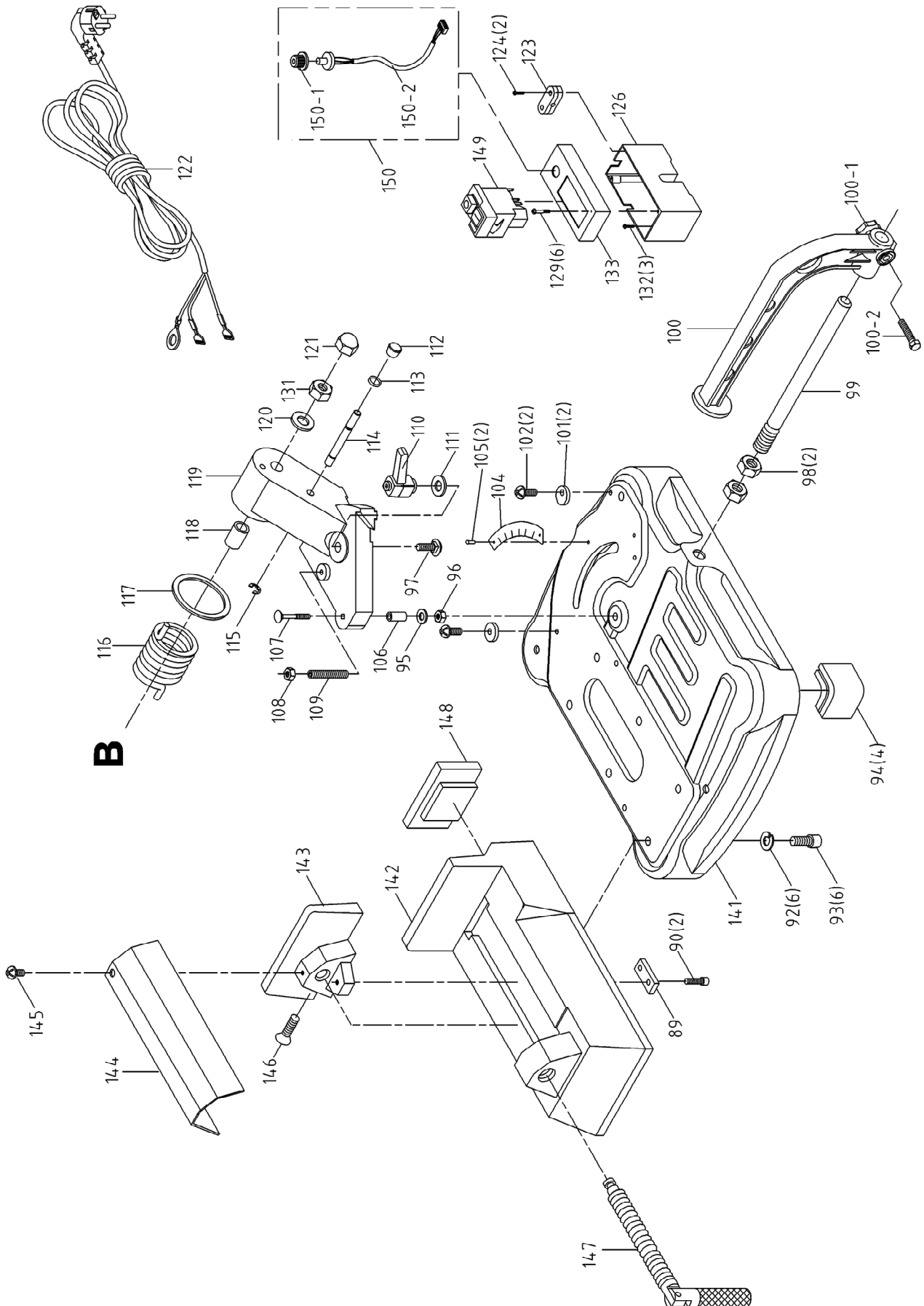


P-50000310M 2010-06-25

Bow Breakdown for the HVBS-34VS Bandsaw



Base Breakdown for the HVBS-34VS Bandsaw



Parts List for the HVBS-34VS Bandsaw

Index No.	Part No.	Description	Size	Qty.
1.....	HVBS34VS-001.....	Body Frame.....		1
2.....	HVBS34VS-002.....	Crown Nut.....	M6.....	4
3.....	TS-2361061.....	Spring Washer.....	M6.....	4
4.....	HVBS34VS-004.....	Guide Bracket.....		1
5.....	HVBS34VS-005.....	Washer.....		4
6.....	HVBS34VS-006.....	Bearing.....	607RS.....	8
7.....	HVBS34VS-007.....	Eccentric Shaft.....		4
8.....	HVBS34VS-008.....	Knob.....		1
9.....	HVBS34VS-009.....	Adjustable Bracket (Front).....		1
10.....	HVBS34VS-010.....	Bearing.....	624ZZ.....	2
11.....	HVBS34VS-011.....	Pin.....	• 4x19.8L.....	2
12.....	HVBS34VS-012.....	Washer.....		4
13.....	HVBS34VS-013.....	Blade Cover (Front).....		1
14.....	TS-1524021.....	Set Screw.....	M8x10L.....	1
15.....	HVBS34VS-015.....	Carriage Screw.....	M6x30L.....	1
16.....	HVBS34VS-016.....	Clamp.....		6
17.....	HVBS34VS-017.....	Flat Cross Head Screw.....	M5x10L.....	6
18.....	HVBS34VS-018.....	Block.....		2
19.....	TS-1550041.....	Washer.....	M6.....	1
20.....	TS-1550061.....	Washer.....	M8.....	2
21.....	HVBS34VS-021.....	Knob.....		1
22.....	HVBS34VS-022.....	Handle.....		1
22-1.....	HVBS34VS-022-1.....	Limit Switch.....		1
24.....	HVBS34VS-024.....	Blade (Bi-Metal).....	1325x13x0.65, 8/12T.....	1
25.....	HVBS34VS-025.....	Fixed Bolt.....		1
26.....	HVBS34VS-026.....	Drive Wheel.....		1
27.....	HVBS34VS-027.....	Washer.....		2
28.....	TS-1481021.....	Hex Cap Bolt.....	M5x10L.....	4
29.....	HVBS34VS-029.....	Blade Back Cover.....		1
32.....	HVBS34VS-032.....	Tension Bracket.....		1
33.....	HVBS34VS-033.....	Press Cake.....		4
34.....	HVBS34VS-034.....	Flat Cross Head Screw.....	M5x15L.....	4
35.....	HVBS34VS-035.....	Spring.....		1
36.....	HVBS34VS-036.....	Spring.....		1
37.....	HVBS34VS-037.....	Bolt.....		1
38.....	HVBS34VS-038.....	Motor Assembly.....		1
42.....	HVBS34VS-042.....	Shaft.....		1
43.....	HVBS34VS-043.....	Carbon Brush.....		2
44.....	HVBS34VS-044.....	Motor Rotor Assembly.....		1
44-1.....	HVBS34VS-044-1.....	Motor Rotor Shaft.....		1
44-2.....	HVBS34VS-044-2.....	Motor Rotor.....		1
45.....	HVBS34VS-045.....	Cable.....	H05VV-F, 2x0.75cm ²	1
50.....	HVBS34VS-050.....	Cross Round Head Screw.....	• 3.5x35L.....	2
51.....	HVBS34VS-051.....	Motor Cover.....		1
52.....	HVBS34VS-052.....	Bracket.....		1
53.....	HVBS34VS-053.....	Cross Round Head Screw.....	• 4x15L.....	2
54.....	HVBS34VS-054.....	Separator.....		1
55.....	HVBS34VS-055.....	Fan.....		1
56.....	HVBS34VS-056.....	Bracket.....		1
57.....	HVBS34VS-057.....	Hex Socket Cap Screw.....	M6x15L.....	4
58.....	HVBS34VS-058.....	Needle Bearing.....	HK0609.....	2
59.....	HVBS34VS-059.....	Washer.....		3

Index No.	Part No.	Description	Size	Qty.
60	HVBS34VS-060	Gear-A	10T/34T	1
61	HVBS34VS-061	Bushing		1
62	HVBS34VS-062	Gear-B	10T/39T	1
63	HVBS34VS-063	Washer		1
64	HVBS34VS-064	Needle Bearing	HK0810	1
65	HVBS34VS-065	Corrugated Washer	• 21.5x• 14.2x0.3t	1
66	BB-627VV	Bearing	627RS	1
67	HVBS34VS-067	Gear-C	39T	1
68	BB-6202VV	Bearing	6202LLB	1
89	HVBS34VS-089	Vise Sliding Plate		1
90	HVBS34VS-090	Hex Socket Cap Screw	M6x15L	2
92	TS-2361081	Spring Washer	M8	6
93	TS-1504041	Hex Socket Cap Screw	M8x20L	6
94	HVBS34VS-094	Coaster		4
95	TS-1550031	Washer	M5	1
96	HVBS34VS-096	Nut	M5	1
97	HVBS34VS-097	Carriage Screw	M10x33L	1
98	TS-2310142	Hex Nut	M14Xp1.5	2
99	HVBS34VS-099	Distance Set Rod		1
100	HVBS34VS-100	Distance Set Bracket		1
100-1	HVBS34VS-100-1	Plum Handle		1
100-2	TS-1482061	Hex Cap Bolt	M6x30L	1
101	HVBS34VS-101	Angle Margin		2
102	HVBS34VS-102	Cross Round Head Screw	M6x10L	2
104	HVBS34VS-104	Degree-Meter		1
105	HVBS34VS-105	Rivet	• 3.2x6L	2
106	HVBS34VS-106	Bushing		1
107	HVBS34VS-107	Fixed Bolt		1
108	TS-1540041	Hex Nut	M6	1
109	TS-1523071	Set Screw	M6x25L	1
110	HVBS34VS-110	Knob		1
111	TS-1550071	Washer	M10	1
112	HVBS34VS-112	Knob W/Shaft		1
113	HVBS34VS-113	O-Retainer Ring	ID4.5x1.9	1
114	HVBS34VS-114	Position Pin		1
115	HVBS34VS-115	E Retaining Ring	E7	1
116	HVBS34VS-116	Spring		1
117	HVBS34VS-117	Washer		1
118	HVBS34VS-118	Shaft Bushing		1
119	HVBS34VS-119	Swivel Arm		1
120	TS-1550071	Washer	M10	1
121	HVBS34VS-121	Crown Nut	M10	1
122	HVBS34VS-122	Power Cable /w plug	H05RN-F, 3x0.75cm ²	1
123	HVBS34VS-123	Cable Setting Nut		1
124	HVBS34VS-124	Cross Round Head Screw	• 4x20L	2
126	HVBS34VS-126	Electrical Box Only		1
129	HVBS34VS-129	Cross Round Head Screw	• 3.5x35L	6
131	HVBS34VS-131	Nut	M10	1
132	HVBS34VS-132	Cross Round Head Screw	M5x10L	3
133	HVBS34VS-133	Cover	Variable Speed	1
135	TS-1540061	Hex Nut	M8	2
138	BB-6002Z	Bearing	6002Z	2
139	HVBS34VS-139	Hex Socket Flat Head Screw	M6x15L	1
140	HVBS34VS-140	Idler Wheel		1

Index No.	Part No.	Description	Size	Qty.
141	HVBS34VS-141	Swivel Base		1
142	HVBS34VS-142	Vise Base		1
143	HVBS34VS-143	Vise Jaw Bracket		1
144	HVBS34VS-144	Cover		1
145	HVBS34VS-145	Cross Round Head Screw	M5x5L	1
146	HVBS34VS-146	Cross Flat Head Screw	M6x10L	1
147	HVBS34VS-147	Lead Screw		1
148	HVBS34VS-148	Plastic Block		1
149	HVBS34VS-149	Magnetic Switch	KJD-17	1
150	HVBS34VS-150	Various Speed Controller Assembly		1
150-1	HVBS34VS-150-1	Controller Knob		1
150-2	HVBS34VS-150-2	Various Resistant w/ wires		1
	JMD15-JL	JET Logo Label (not shown)		1
	HVBS34VS-IDL	ID Label (not shown)		1
	HVBS34VS-ML	Motor Label (not shown)		1
	HVBS34VS-BTL	Blade Tension Label (not shown)		1
	HVBS34VS-WL	Warning Label (not shown)		1
	HVBS34VS-CTL	Cutting Table Label (not shown)		1
	HVBS34VS-SD	Stripe Decal (not shown)		1
	HVBS34VS-MCL	Motor Prompt Label (not shown)		1
	HVBS34VS-SPL	Speed Prompt Label (not shown)		1

HVBS-34VS

50000310M

	colour of strands	Litzenfarben	couleur des cordons
BK	black	schwarz	noir
WH	white	weiß	blanc
BU	blue	blau	bleu
YE	yellow	gelb	jaune
RD	red	rot	rouge
BN	brown	braun	brun
GY	grey	grau	gris
GNYE	green-yellow	grün-gelb	vert-jaune
OG	orange	orange	orange
VT	violet	violett	violet

	meaning of symbol	Bedeutung der Zeichen	interprétation
M	Motor, 850W	Motor, 850W	moteur, 850W
S1	ON-OFF Switch	Ein-Aus Schütz	contacteur magnetique
S2	Start Switch	Start-Taster	touche mis en route
VR	Various Resistant	Potentiometer	potentiomètre
T	Temperature switch	Thermoschutz	contacteur thermique
C	condenser	Kondensator	condensateur
E	Drive circuit board	Regelplatine	carte électrique
F	fuse	Sicherung	fusible
CB	carbon brush	Kohlebürste	Brosse de carbone
RS	reversing switch	Drehrichtungsschalter	commu. droite/gauche
CS	centrifugal switch	Fliehkraftschalter	déclencheur centrifuge
OL	overload cut-off	Überlastschuttschalter	déclencheur surcharge
LS	limit switch	Positionsendschalter	micro

230/50/1

