

J E T

708315BTA 10" Table Saw

**708315RM
230/50-60/1**

**PARTS LIST
ERSATZTEILLISTE
LISTE DE PIECES**

Walter Meier (Tool) AG
Tämperlistrasse 5
CH-8117 Fällanden
Switzerland

Phone +41 44 806 47 48

Fax +41 44 806 47 58

jetinfo.eu@waltermeier.com

www.jettools.com

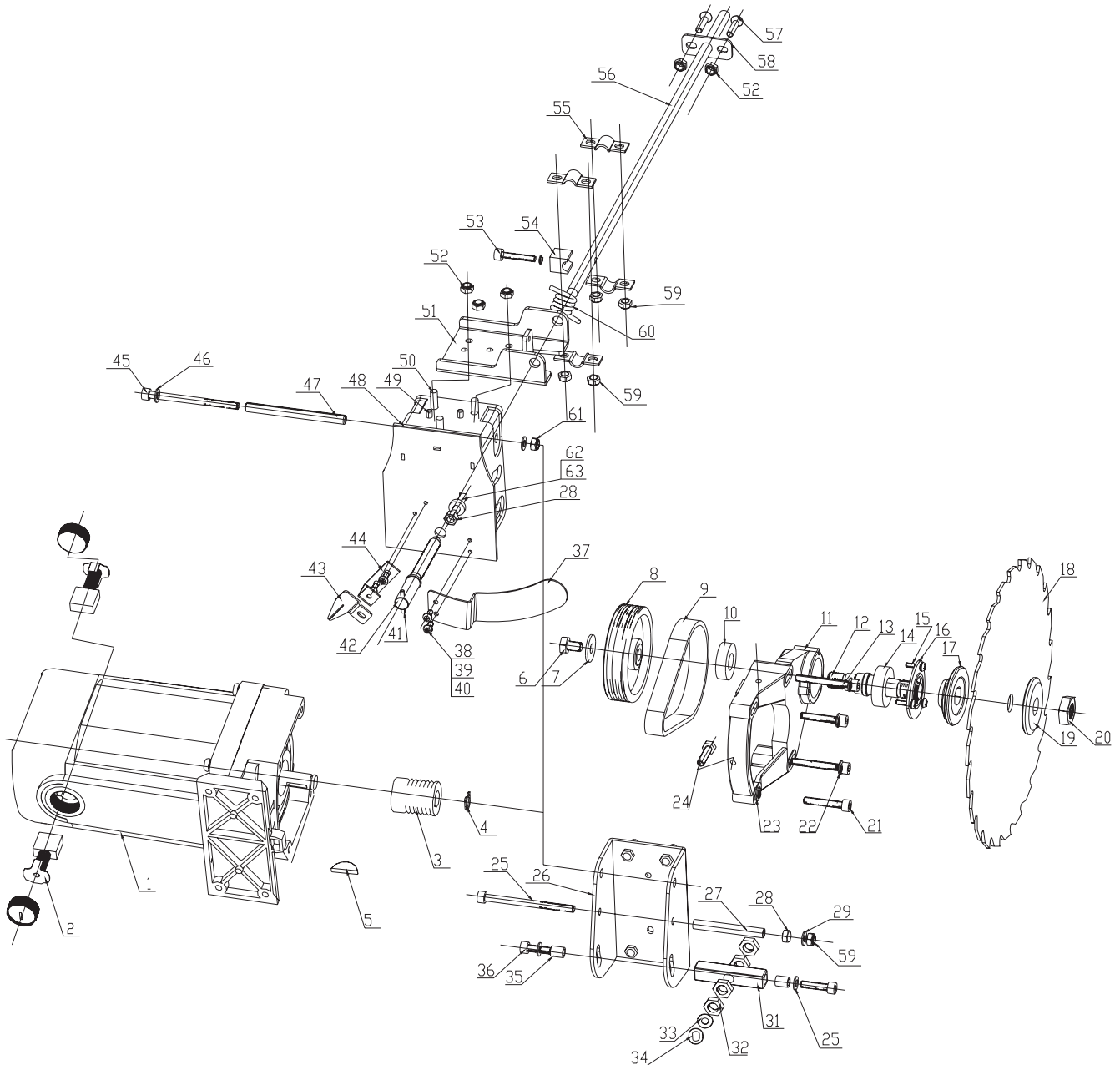
P-708315RM 2011-01

Motor/Trunnion – Parts List

Index No.	Part No.	Description	Size	Qty
1	708315-1E	Motor 230V		1
2	708315-2E	Brush Assembly		2
3	708315-3	Motor Pulley		1
4	708315-4	Retaining Ring		1
5	708315-5	Key	3x6.5x16	1
6	TS-1490011	Hex Cap Screw	M8x12	1
7	TS-1550061	Flat Washer	M8	1
8	708315-8	Arbor Pulley		1
9	708315-9	Belt		1
10	BB-6002Z	Bearing	6002Z	1
11	708315-11	Arbor Support		1
12	708315-12	Arbor Shaft		1
13	TS-1503111	Socket Head Cap Screw	M6x50	2
14	BB-6003Z	Bearing	6003Z	1
15	TS-1532042	Pan Head Screw	M4x12	3
16	708315-16	Cover Plate		1
17	708315-17E	Arbor Flange		1
18	708315-18E	Saw Blade	10"x36T	1
19	708315-19E	Arbor Collar		1
20	708315-20	Arbor Nut		1
21	TS-1503081	Socket Head Cap Screw	M6x35	2
22	TS-1551041	Lock Washer	M6	4
23	TS-1550041	Flat Washer	M6	4
24	TS-1482051	Hex Cap Screw	M6x25	1
25	TS-2236801	Socket Head Cap Screw	M6x80	1
26	708315-26	Motor Bracket		1
27	708315-27	Spacer		1
28	708315-28	nut	M6	1
29	TS-1550041	Flat Washer	M6	3
31	708315-31	Shaft Support		1
32	708315-32	Nut	M10	4
33	TS-1550071	Flat Washer	M10	1
34	708315-34	Special Washer		1
35	708315-35	Spacer		2
36	TS-1503061	Socket Head Cap Screw	M6x25	2
37	708315-37	Bracket		1
38	TS-2284082	Pan Head Screw	M4x8	2
39	TS-1550021	Flat Washer	M4	2
40	TS-1551021	Lock Washer	M4	2
41	708315-41	Roll Pin	M3x18	1
42	708315-42	Raising Shaft		1
43	708315-43	Pointer		1
44	708315-44	Bracket		1
45	708315-45	Socket Head Cap Screw	M5x100	1
46	708315-46	Flat Washer	M5	2
47	708315-47	Roll Pin	M8x90	1
48	708315-48	Trunnion Bracket		1
49	708315-49	Pin	M3x10	1
50	TS-1503051	Socket Head Cap Screw	M6x20	3
51	708315-51	Bracket		1
52	708315-52	Nut, flange hex head	M6	39
53	TS-2285302	Pan Head Screw	M5x30	1
54	708315-54	Rod Support		1
55	708315-55	Hold Down Strap		4

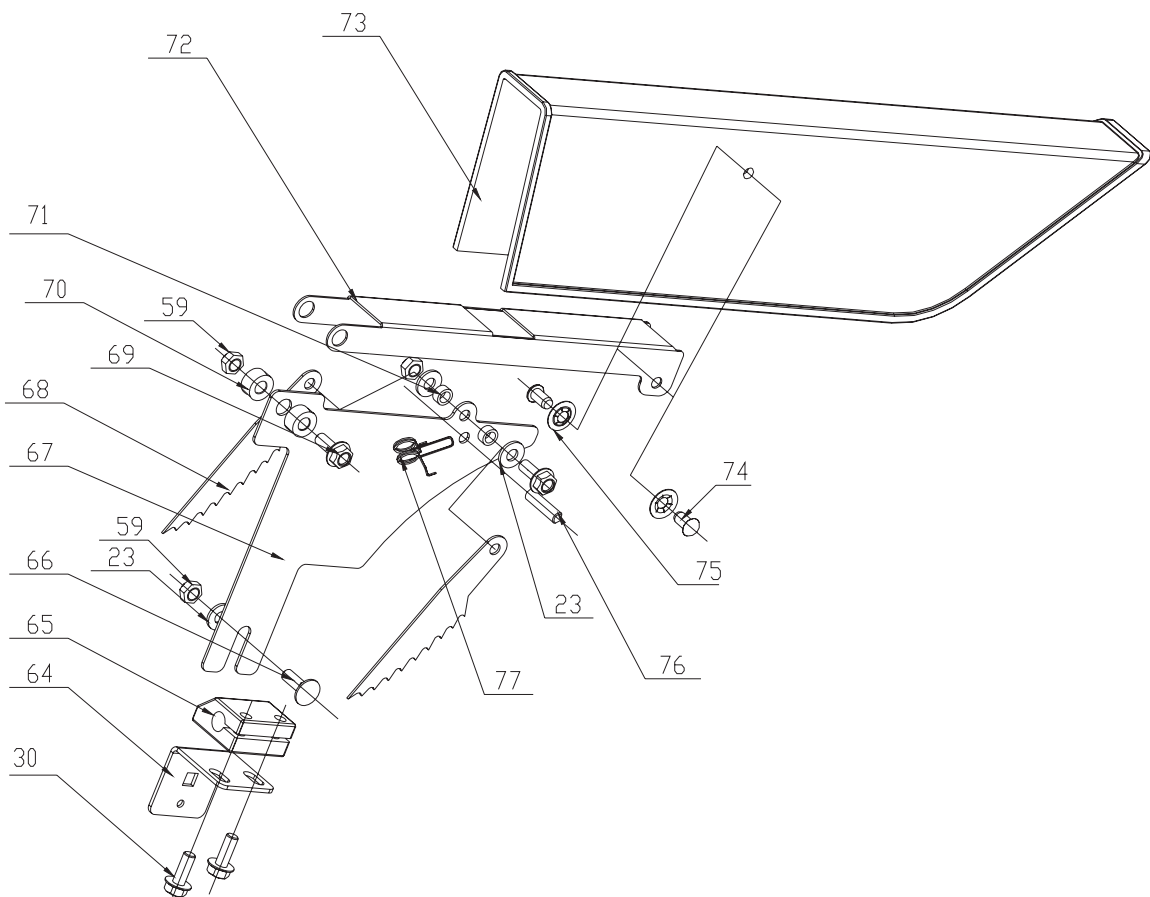
Motor/Trunnion – Parts List

Index No.	Part No.	Description	Size	Qty
56	708315-56	Angle Rod		1
57	TS-2286251	Flat Head Screw	M6x25	2
58	708315-58	Rod Support Plate		1
59	TS-1541021	Nylon Insert Lock Nut	M6	8
60	708315-60	Spring		1
61	708315-61	Nut	M5	1
62	708315-62	Carriage Bolt	M6x32	1
63	708315-63	Spacer	M6x32	1



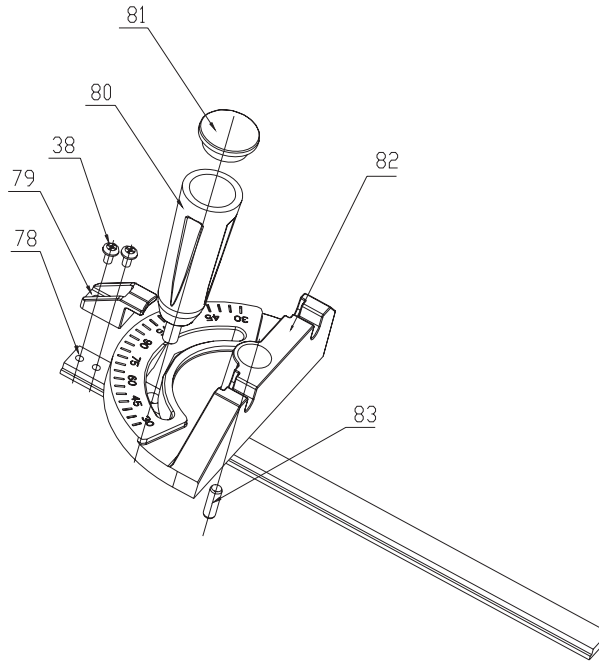
Blade Guard Assembly

Index No.	Part No.	Description	Size	Qty
.....	708315-BGA.....	Blade Guard Assembly (Complete).....
23.....	TS-1550041.....	Flat Washer.....	M6.....	3
24.....	TS-1482051.....	Hex Cap Screw.....	M6x20.....	3
30.....	TS-1482041.....	Hex Cap Screw.....	M6x20.....	4
59.....	TS-1541021.....	Nylon Insert Lock Nut.....	M6.....	3
64.....	708315-64.....	Splitter Bracket.....	1
65.....	708315-65.....	Support.....	1
66.....	708315-66.....	Carriage Bolt.....	M6x12.....	1
67.....	708315-67.....	Splitter.....	1
68.....	708315-68.....	Anti-Kickback Pawl.....	2
69.....	708315-69.....	Hex Cap Screw.....	M6x40.....	1
70.....	708315-70.....	Spacer.....	2
71.....	708315-71.....	Spacer.....	2
72.....	708315-72.....	Guard Support.....	1
73.....	708315-73.....	Guard.....	1
74.....	708315-74.....	Rivet.....	2
75.....	708315-75.....	Retaining Washer.....	2
76.....	708315-76.....	Pin.....	M3x22.....	1
77.....	708315-77.....	Spring.....	1



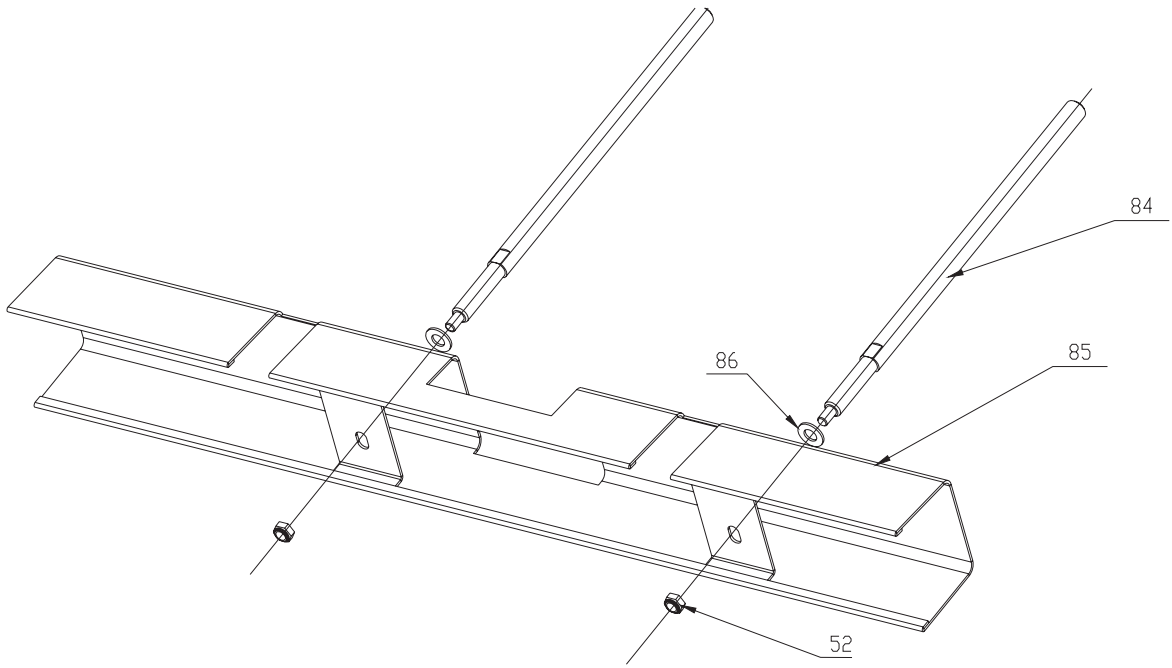
Miter Gauge Assembly

Index No.	Part No.	Description	Size	Qty
.....	708315-MGA	Miter Gauge Assembly (Complete)
38	TS-2284082	Pan Head Screw	M4x8	2
78	708315-78	Bar	1
79	708315-79	Pointer	1
80	708315-80	Handle	1
81	708315-81	Handle Cap	1
82	708315-82	Miter Gauge Body	1
83	708315-83	Pin	M6x15	1



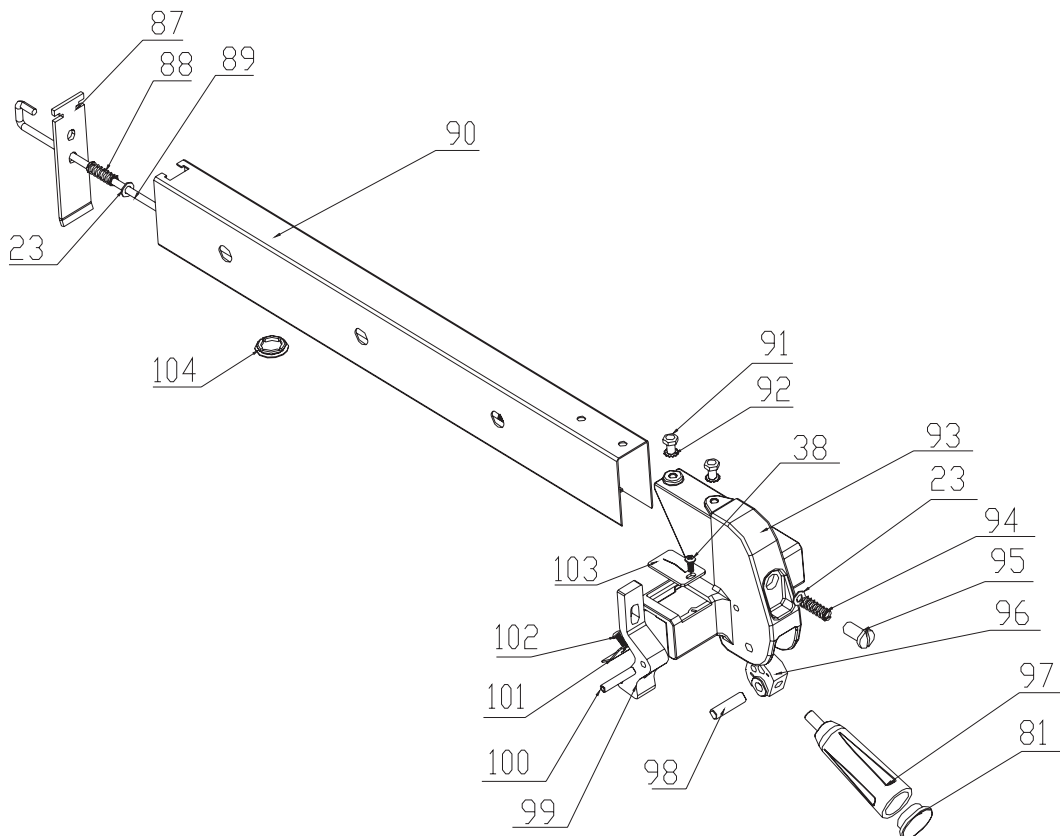
Rear Support Assembly

Index No.	Part No.	Description	Size	Qty
.....	708315-RSA	Rear Support Assembly (Complete)
52	708315-52	Nut, flange hex head	M6	2
84	708315-84	Rod	2
85	708315-85	Rear Support	1
86	708315-86	Flat Washer	2



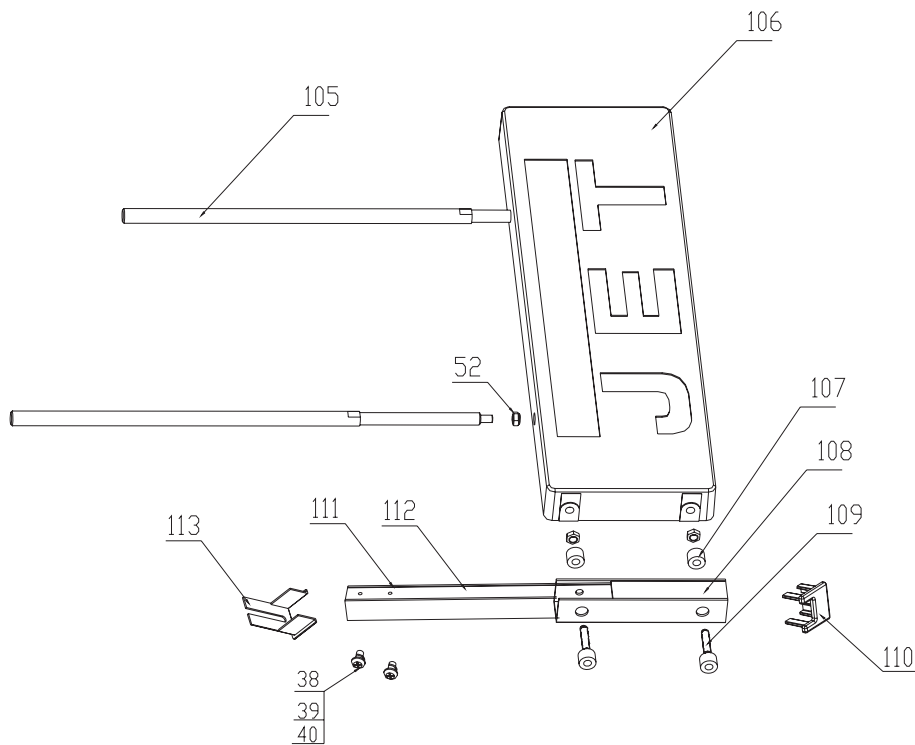
Rip Fence Assembly

Index No.	Part No.	Description	Size	Qty
.....	708315-RFA.....	Rip Fence Assembly (Complete).....		
23.....	TS-1550041.....	Flat Washer.....	M6.....	2
38.....	TS-2284082.....	Pan Head Screw.....	M4x8.....	1
81.....	708315-81.....	Handle Cap.....		1
87.....	708315-87.....	Rear Clamp.....		1
88.....	708315-88.....	Spring.....		1
89.....	708315-89.....	Rod.....		1
90.....	708315-90.....	Fence Body.....		1
91.....	TS-1482011.....	Hex Cap Screw.....	M6x10.....	2
92.....	708315-92.....	External Tooth Lock Washer.....	M6.....	2
93.....	708315-93.....	Front Block.....		1
94.....	708315-94.....	Spring.....		1
95.....	708315-95.....	Adjustment Screw.....		1
96.....	708315-96.....	Cam Lock.....		1
97.....	708315-97.....	Handle.....		1
98.....	708315-98.....	Pin.....		1
99.....	708315-99.....	Front Clamp.....		1
100.....	708315-100.....	Pin.....		1
101.....	708315-101.....	Leaf Spring.....		1
102.....	TS-1532032.....	Pan Head Screw.....	M4x10.....	1
103.....	708315-103.....	Cursor.....		1
104.....	708315-104.....	Support.....		1



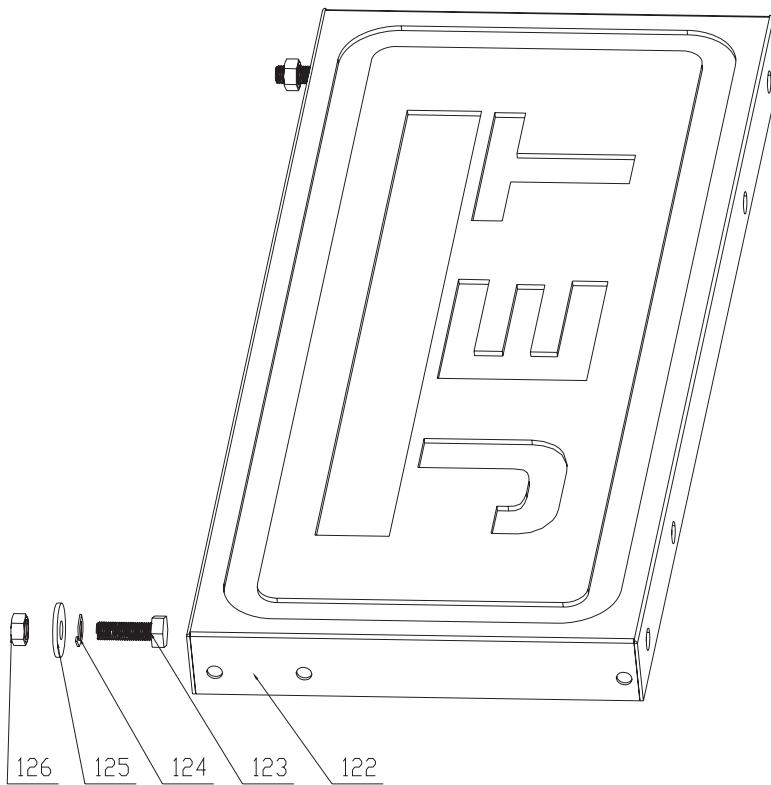
Right Extension Assembly

Index No.	Part No.	Description	Size	Qty
.....	708315-REA.....	Right Extension Assembly (Complete).....
38.....	TS-2284082.....	Pan Head Screw.....	M4x8.....	2
39.....	TS-1550021.....	Flat Washer.....	M4.....	2
40.....	TS-1551021.....	Lock Washer.....	M4.....	2
52.....	708315-52.....	Nut, flange hex head.....	M6.....	2
105.....	708315-105.....	Extension Rod.....	2
106.....	708315-106.....	Extension Table.....	1
107.....	708315-107.....	Spacer.....	2
108.....	708315-108.....	Front Rail.....	1
109.....	TS-1503071.....	Socket Head Cap Screw.....	M6x30.....	2
110.....	708315-110.....	Rail End Cap.....	1
111.....	708315-111.....	Guide Rail.....	1
112.....	708315-112E.....	Scale metric.....	1
113.....	708315-113.....	Plastic Spacer.....	1



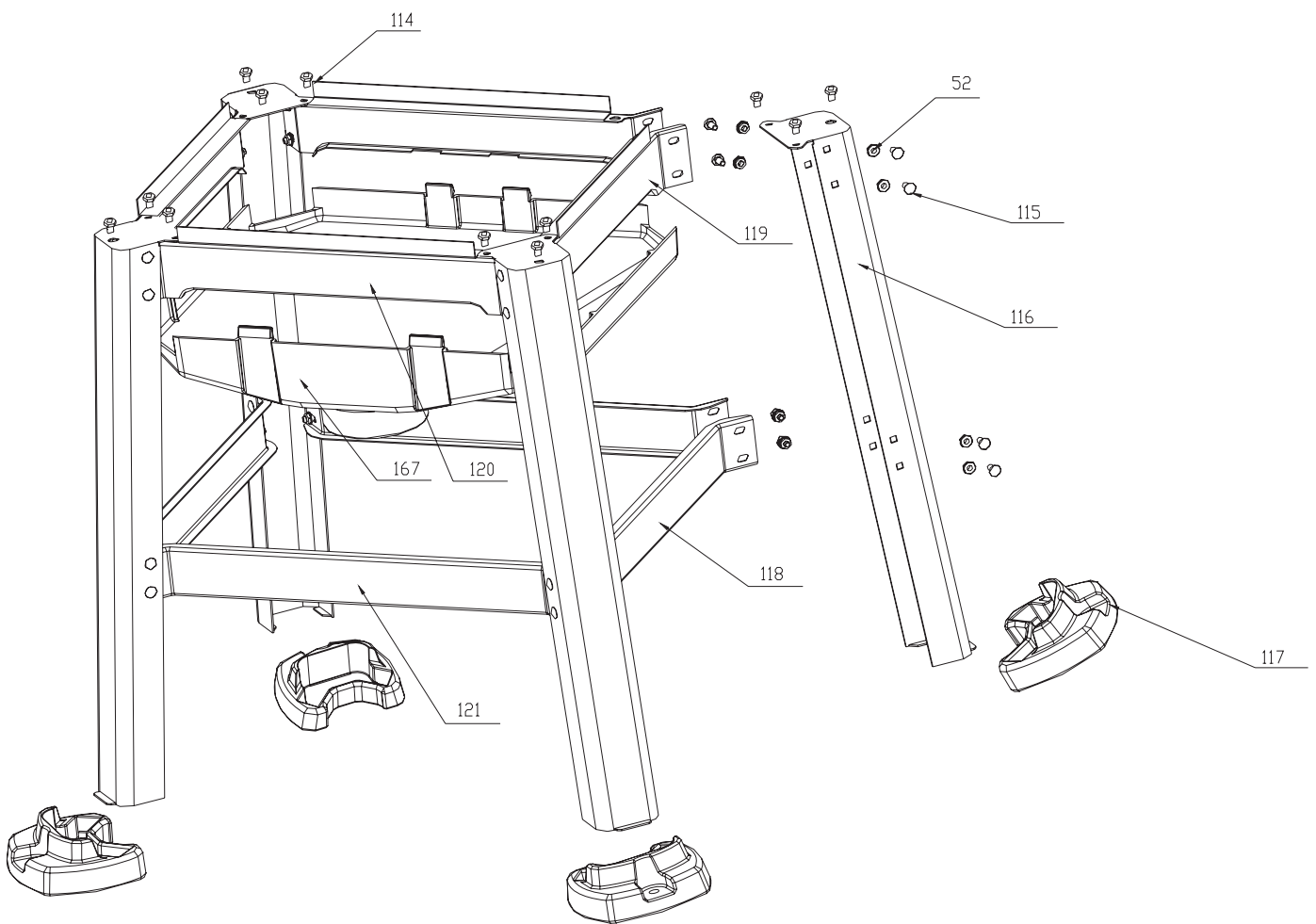
Stamped Steel Extension Wing Assembly

Index No.	Part No.	Description	Size	Qty
.....	708315-SSEWA Stamped Steel Extension Wing Assembly (Complete)		
122.....	708315-113 Stamped Steel Extension Wing		1
123.....	TS-1490041 Hex Cap Screw	M8x25	2
124.....	TS-2361081 Lock Washer.....	M8	2
125.....	TS-1550061 Flat Washer	M8	2
126.....	TS-1540061 Hex Nut.....	M8	2



Open Stand Assembly

Index No.	Part No.	Description	Size	Qty
.....	708315-OSA.....	Open Stand Assembly (Complete).....
52.....	708315-52.....	Nut, flange hex head.....	M6.....	44
114.....	TS-1482021.....	Hex Cap Screw.....	M6x12.....	12
115.....	708315-115.....	Carriage Bolt.....	M6.....	32
116.....	708315-116.....	Leg.....	4
117.....	708315-117.....	Rubber Foot.....	4
118.....	708315-118.....	Bracket.....	2
119.....	708315-119.....	Bracket.....	2
120.....	708315-120.....	Bracket.....	2
121.....	708315-121.....	Bracket.....	2
167.....	708315-167.....	Dust shroud.....	1



Main Saw – Parts

Index No.	Part No.	Description	Size	Qty
23	TS-1550041	Flat Washer	M6	34
24	TS-1482041	Hex Cap Screw	M6x20	8
52	708315-52	Nut, flange hex head	M6	16
107	708315-107	Spacer		4
109	TS-1503071	Socket Head Cap Screw	M6x30	4
114	TS-1482021	Hex Cap Screw	M6x12	16
126	TS-1540061	Hex Nut	M8	2
127	708315-127	Extension Bracket		4
128	708315-128	Main Table		1
129	TS-1533032	Pan Head Screw	M5x10	2
130	708315-130	Table Insert		1
131	708315-131	Special Table Screw		4
132	TS-1504041	Socket Head Cap Screw	M8x20	1
133	TS-1504121	Socket Head Cap Screw	M8x60	1
134	708315-134	Front Rail		1
135	708315-135	Rail Cap		2
136	708315-136	Brass Screw (Grounding)	M5x8	1
137	708315-137	External Tooth Lock Washer	M5	1
138	708315-138	Leg		4
139	708315-139	Rear Panel		1
140	708315-140	Self-Tapping Screw	M4x14	7
141	708315-141	Strain Relief		1
142	708315-142	Lock Knob		6
143	708315-143	Right Side Panel		1
144	708315-144	Lock Knob		1
145	708315-145	Threaded Stud		4
146	708315-146	Grommet		1
147	708315-147	Left Side Panel		1
148	708315-148	Arbor Nut Wrench		1
149	708315-149	Open End Wrench		1
150	708818	Push Stick		1
151	TS-2286202	Pan Head Screw	M6x20	16
152	708315-152	Front Panel		1
153	708315-153	Front Plate		1
154	708315-154	Bevel Rack		1
155	TS-2284081	Flat Head Screw	M4x8	9
156	708315-156	Lock Knob		1
157	708315-157	Spring		1
158	708315-158	Hand Wheel		1
159	708315-159	Handle		1
160	708315-160E	Circuit Breaker (Overload) Switch		1
161	708315-161E	Wire		1
162	708315-162E	On/Off Switch		1
163	708315-163	Rubber Gasket		1
164	708315-164	Switch Box		1
165	708315-165E	Power Cord		1
166	708315-166E	Scale metric		1

Main Saw – Parts

