

JDP-13

DRILL PRESS

....230/50/1

PARTS LIST



JPW (Tool) AG

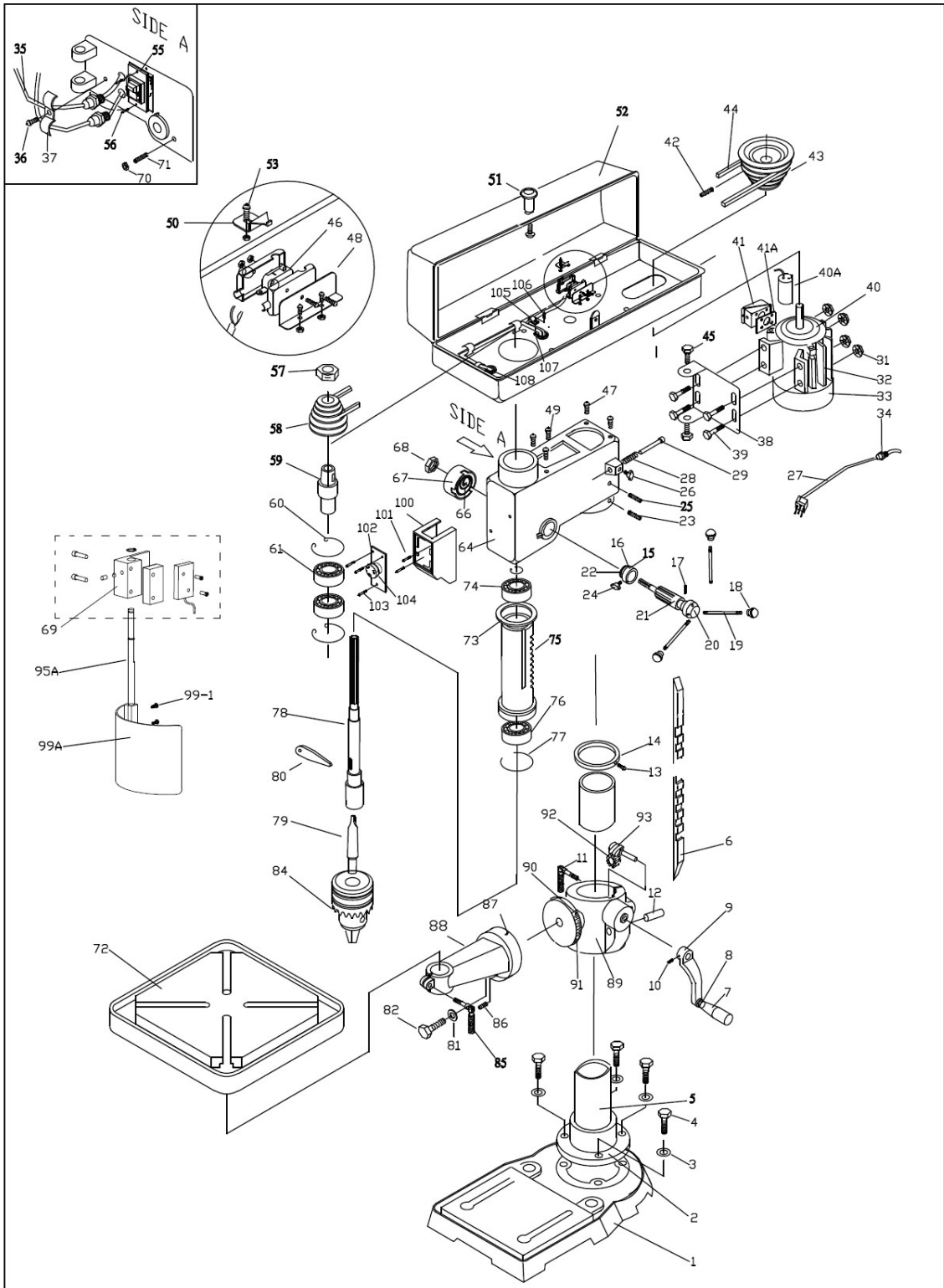
Ackerstrasse 45, CH-8610 Uster
Switzerland

www.jettools.com

P-50000212M

2020-04

Parts Breakdown for JDP-13 Drill Press



Parts List for JDP-13 Drill Press

| Index No | Part No | Description | Size | Qty |
|----------|---------|-------------|------|-----|
|----------|---------|-------------|------|-----|

| | | | | |
|-----|------------|----------------------|------------|---|
| 1 | JDP13-001 | Base Plate | | 1 |
| 2 | JDP13-002 | Flange | | 1 |
| 3 | JDP13-003 | Washer | φ8 | 4 |
| 4 | JDP13-004 | Screw | M8x25 | 4 |
| 5 | JDP13-005 | Column | | 1 |
| 6 | JDP13-006 | Rack | | 1 |
| 7 | JDP13-007 | Knob | | 1 |
| 8 | JDP13-008 | Nut | M10 | 1 |
| 9 | JDP13-009 | Shifting Rod | | 1 |
| 10 | JDP13-010 | Screw | M6x10 | 1 |
| 11 | JDP13-011 | Lock Handle | | 1 |
| 12 | JDP13-012 | Shaft | | 1 |
| 13 | JDP13-013 | Screw | M6x16 | 1 |
| 14 | JDP13-014 | Rack Collar | | 1 |
| 15 | JDP13-015 | Scale Sleeve | | 1 |
| 16 | JDP13-016 | Rivet | | 1 |
| 17 | JDP13-017 | Pin | M5x20 | 2 |
| 18 | JDP13-018 | Handle | | 3 |
| 19 | JDP13-019 | Handle Bar | | 3 |
| 20 | JDP13-020 | Handle Base | | 1 |
| 21 | JDP13-021 | Feed Shaft | | 1 |
| 22 | JDP13-022 | Scale | | 2 |
| 23 | JDP13-023 | Screw | M8x10 | 1 |
| 24 | JDP13-024 | Knob | | 1 |
| 25 | JDP13-025 | Screw | M8x10 | 1 |
| 26 | JDP13-026 | Screw | M8x15 | 1 |
| 27 | JDP13-027 | Power Cord | | 1 |
| 28 | JDP13-028 | Spring | | 1 |
| 29 | JDP13-029 | Rod | | 1 |
| 31 | JDP13-031 | Nut | M8 | 4 |
| 32 | JDP13-032 | Fan | | 1 |
| 33 | JDP13-033 | Fan Cover | | 1 |
| 34 | JDP13-034 | Cable Holder | | 3 |
| 35 | JDP13-035 | Cable | | 1 |
| 36 | JDP13-036 | Screw | M5x10 | 1 |
| 37 | JDP13-037 | Clip | | 1 |
| 38 | JDP13-038 | Motor Support | | 1 |
| 39 | JDP13-039 | Screw | M8x25 | 4 |
| 40 | JDP13-040 | Motor | 230V, 50Hz | 1 |
| 40A | JDP13-040A | Capacitor | | 1 |
| 41 | JDP13-041 | Terminal Box | | 1 |
| 41A | JDP13-041A | Gasket | | 1 |
| 42 | JDP13-042 | Set Screw | M6x10 | 1 |
| 43 | JDP13-043 | Motor Pulley | | 1 |
| 44 | JDP13-044 | V-belt | | 1 |
| 45 | JDP13-045 | Screw | M8x25 | 2 |
| 46 | JDP13-046 | Micro Switch | | 1 |
| 47 | JDP13-047 | Screw | M6x10 | 4 |
| 48 | JDP13-048 | Switch Plate | | 1 |
| 49 | JDP13-049 | Screw | M6x10 | 2 |
| 50 | JDP13-050 | Plate | | 1 |
| 51 | JDP13-051 | Handle | | 1 |
| 52 | JDP13-052 | Pulley Cover | | 1 |
| 53 | JDP13-053 | Screw | M6x10 | 1 |
| 55 | JDP13-055 | ON/OFF Switch | | 1 |
| 56 | JDP13-056 | Screw | M4x10 | 2 |
| 57 | JDP13-057 | Nut | 1/2 | 1 |
| 58 | JDP13-058 | Pulley Spindle | | 1 |
| 59 | JDP13-059 | Shaft & Taper Sleeve | | 1 |
| 60 | JDP13-060 | C ring | φ38 | 2 |

| | | | | |
|------|------------|-----------------------|-----------|---|
| 61 | JDP13-061 | Ball Bearing | BB-6203ZZ | 2 |
| 64 | JDP13-064 | Head Case | | 1 |
| 66 | JDP13-066 | Spring | | 1 |
| 67 | JDP13-067 | Spring Cover | | 1 |
| 68 | JDP13-068 | Nut | M12 | 1 |
| 69 | JDP13-069 | Limit Switch Assembly | | 1 |
| 70 | JDP13-070 | Screw | M8x32 | 1 |
| 71 | JDP13-071 | Nut | M8 | 1 |
| 72 | JDP13-072 | Table | | 1 |
| 73 | JDP13-073 | Washer | φ40 | 1 |
| 74 | JDP13-074 | Ball Bearing | BB-6201ZZ | 1 |
| 75 | JDP13-075 | Spindle Guide | | 1 |
| 76 | JDP13-076 | Ball Bearing | BB-6204ZZ | 1 |
| 77 | JDP13-077 | Ring | φ45 | 1 |
| 78 | JDP13-078 | Spindle | | 1 |
| 79 | JDP13-079 | Taper | | 1 |
| 80 | JDP13-080 | Wedge | | 1 |
| 81 | JDP13-081 | Washer | φ16 | 1 |
| 82 | JDP13-082 | Screw | M6x35 | 1 |
| 84 | JDP13-084 | Keyless Chuck | B16 | 1 |
| 85 | JDP13-085 | Clamping Screw | | 1 |
| 86 | JDP13-086 | Screw | M5x10 | 1 |
| 87 | JDP13-087 | Arrow | | 1 |
| 88 | JDP13-088 | Arm | | 1 |
| 89 | JDP13-089 | Table Bracket | | 1 |
| 90 | JDP13-090 | Rivet | | 1 |
| 91 | JDP13-091 | Scale | | 1 |
| 92 | JDP13-092 | Gear | | 1 |
| 93 | JDP13-093 | Worm | | 1 |
| 95A | JDP13-095 | Mounting Bar | | 1 |
| 99A | JDP13-099A | Chip Guard | | 1 |
| 99-1 | JDP13-099 | Screw | | 2 |
| 100 | JDP13-100 | Cover | | 1 |
| 101 | JDP13-101 | Screw | M5x10 | 2 |
| 102 | JDP13-102 | Plate | | 1 |
| 103 | JDP13-103 | Screw | M4x16 | 3 |
| 104 | JDP13-104 | Emergency Stop Switch | | 1 |
| 105 | JDP13-105 | Clamping | | 1 |
| 106 | JDP13-106 | Screw | M4x14 | 1 |
| 107 | JDP13-107 | Nut | M4 | 1 |
| 108 | JDP13-108 | Cable | | 1 |

Wiring Diagram

JDP-13.....5000212M

| Symbol | Meaning of Symbol |
|----------|-----------------------|
| L1, L2 | Cable |
| SB1 | ON Switch |
| SB2 | OFF Switch |
| M | Motor |
| PE | Ground Wire |
| SB3 | Emergency Stop Switch |
| SB4, SB5 | Limit Switch |

