

JET

JWBS-18Q WOODWORKING BANDSAW

708750BM...230/50/1

708750BT ...400/50/3

PARTS LIST

Walter Meier (Fertigung) AG

Bahnstrasse 24

8603 Schwerzenbach

Switzerland

Phone +41 44 806 47 48

Fax +41 44 806 47 58

jetinfo.eu@waltermeier.com

www.jettools.com



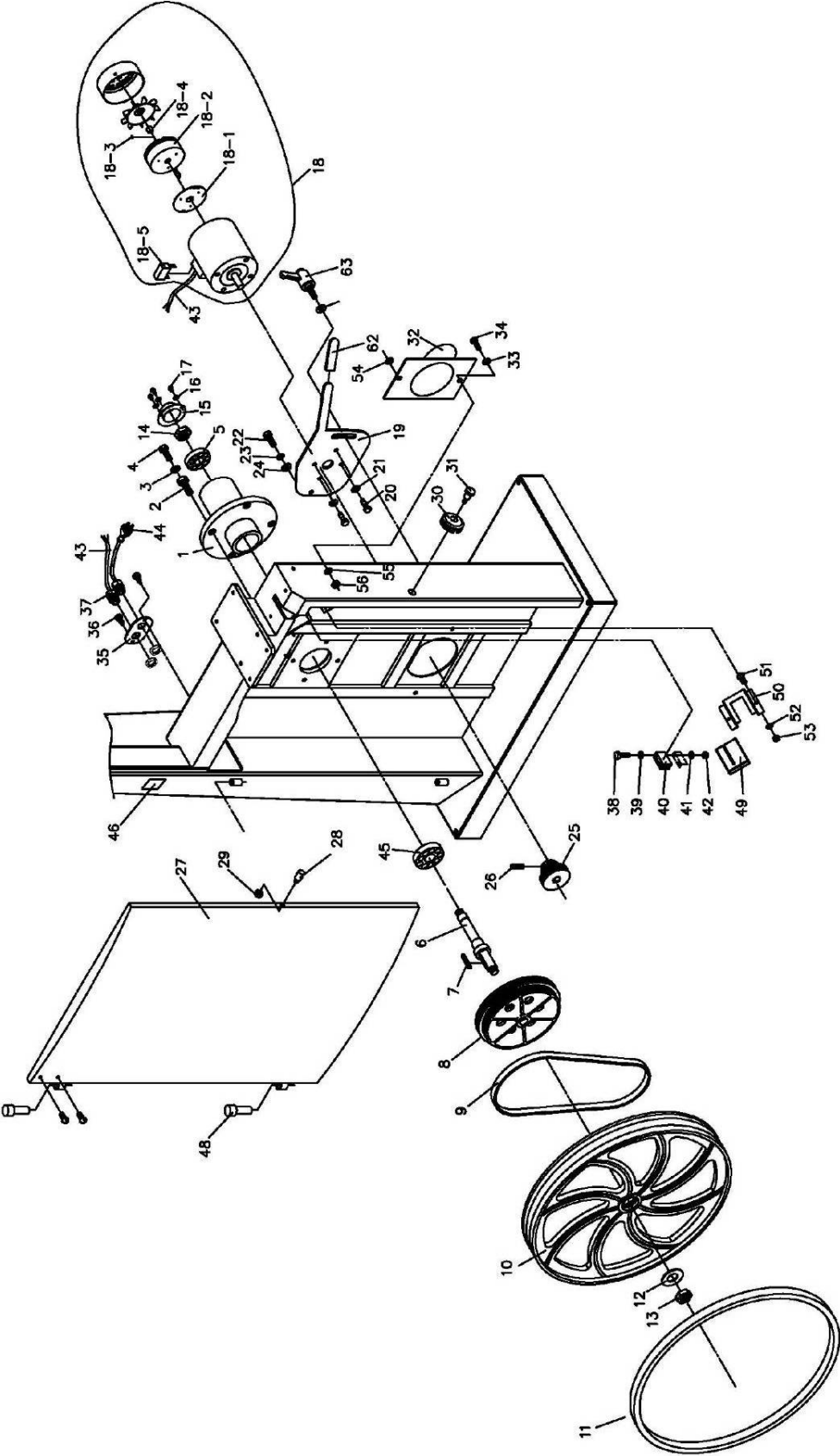
P-708750BM / 708750BT 2009/08/28

Upper Wheel Assembly

Index No.	Part No.	Description	Size	Qty
1	JWBS18DXA-101E	Saw Body		1
2	TS-0152011	Carriage Bolt	5/16-18 x 1	6
3	JWBS18DXA-103	Upper Wheel Bracket, Right Side		1
4	TS-0680031	Flat Washer	5/16	6
5	TS-0720081	Lock Washer	5/16	6
6	TS-0561021	Hex Nut	5/16-18	6
7	JWBS18DX-107E	Switch	1Ph.	1
	JWBS18DX-107AE	Switch	3Ph.	1
8	TS-1490151	Hex Cap Screw	M8x80	1
9	TS-0680021	Flat Washer	1/4	6
10	JWBS18DX-110	Sliding Bracket		1
11	JWBS18DX-111E	Blade Tension Indicator Label		2
12	JWBS18-145E	Door Hinge Pin		1
13	JWBS18DX-113	Shaft Bracket		1
14	TS-1541031	Nylon Insert Lock Nut	M8	1
15	JWBS18DXA-115	Spring		1
16	JWBS18-116	Square Nut		1
17	JWBS18DX-117	Pointer		1
18	JWBS18-118	Screw	M5x8	1
19	JWBS18-146E	Set Block		1
21	JWBS18DXA-121	Bracket		1
22	TS-0050021	Hex Cap Screw	1/4-20 x 5/8	4
23	JWBS18DX-123	Blade Adjusting Screw		1
24	JWBS18DX-147E	Limited Switch		1
25	JWBS18-125	Hand Wheel		1
26	TS-0267041	Set Screw	1/4-20 x 3/8	3
27	TS-0209021	Socket Head Cap Screw	3/8-16 x 5/8	1
28	TS-0720091	Lock Washer	3/8	1
29	JWBS18-129	Upper Wheel Shaft		1
30	BB-6203ZZ	Ball Bearing	6203ZZ	2
31	JWBS18-131	Retaining Ring	R40	2
32	JWBS18-132	Upper Wheel		1
33	JWBS18DX-133	Tire		1
34	TS-2284302	Screw	M4x30	2
35	JWBS18-135	Hex Nut	5/8-18UNF L.H.	1
36	JWBS18DX-136	Blade	3/4"W x 137"L x .026T x 4TPI	1
37	TS-0590061	Wing Nut	5/16-18	1
38	JWBS18-138	Lock Knob	5/16	1
39	JWBS18DXA-139AE	Upper Front Door		1
40	JWBS18-140	JET Nameplate		1
41	JWBS18DX-155AE	Door Plate		1
42	JWBS18-142	Bolt		1
43	TS-0561011	Hex Nut	1/4-20	5
44	TS-1532032	Screw	M4x10	2
45	JWBS18-39A	Door Hinge Pin		2
46	JWBS18DXA-146	Upper Wheel Bracket, Left Side		1
47	JWBS18DX-147	Tracking Window		1
48	TS-081C032	Screw	#10-24 x 1/2	2
49	TS-1550031	Flat Washer	M5	4
50	TS-2361051	Lock Washer	M5	2
51	TS-0560071	Hex Nut	#10-24	2
52	JWBS18-149E	Switch Cover		1
53	JWBS18DX-153	Scale Bracket		1
54	TS-081C022	Screw	#10-24 x 3/8	2
55	TS-1550061	Flat Washer	M8	2
56	JWBS18DXA-156E	Tension Status Label		1

Index No.	Part No.	Description	Size	Qty
57	JWBS18DXA-157	Blade Tension Arm Assembly		1
58	TS-1480031	Screw	M4x12	2
59	JWBS18DX-151E	Switch Cord (Switch to Limit Switch)		1
60	TS-1533052	Screw	M5 x 16	1
61	JWL1220VS-146	Star Washer	M5	1
62	TS-1540031	Hex Nut	M5	1
64	JWBS18DXA-164	Grip		1
68	JWBS18DXA-168	Spring Plate		1
69	JWBS18DXA-169	Spring		1
70	TS-0680042	Flat Washer	3/8	2
71	TS-0813051	Screw	1/4-20X5/8	4
72	VBS18MW-167E	Grounding Label		1

Lower Wheel and Motor Assembly

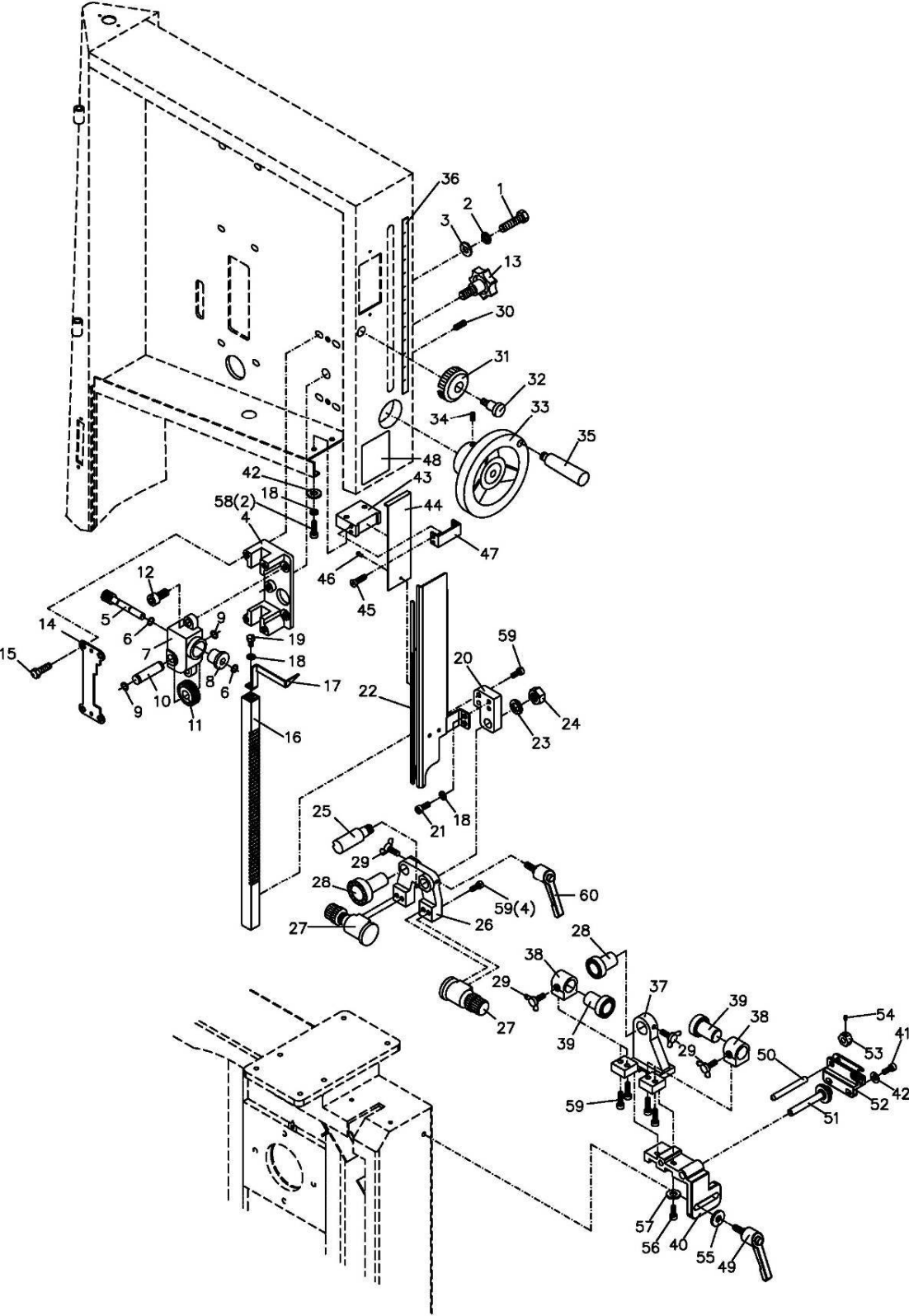


Lower Wheel and Motor Assembly

Index No.	Part No.	Description	Size	Qty
1.....	JWBS18-201N	Bearing Base		1
2.....	JWBS20-62	Adjusting Bolt.....		4
3.....	TS-0720091.....	Lock Washer.....	3/8.....	4
4.....	TS-0060081.....	Hex Cap Screw.....	3/8-16 x 1-3/4.....	4
5.....	BB-6204ZZ.....	Ball Bearing.....	6204ZZ.....	1
6.....	JWBS18DXA-206	Spindle		1
7.....	JWBS18-207	Key.....	7 x 7 x 40.....	1
8.....	JWBS18DXA-208	Spindle Pulley		1
9.....	JWBS18DXA-209E	Poly V-Belt		1
10	JWBS18-210	Lower Wheel.....		1
11	JWBS18DX-133.....	Tire.....		1
12	TS-0680081.....	Flat Washer.....	5/8.....	1
13	JWBS18-135	Hex Nut	5/8-18UNF L.H.....	1
14	JWBS18-214	Hex Nut	5/8-18UNF R.H.....	1
15	JWBS18-215	Bearing Cover		1
16	TS-0720051.....	Lock Washer.....	#10.....	3
17	TS-081C022.....	Screw.....	#10-24 x 3/8.....	3
18	JWBS18Q-218E.....	Motor complete	2HP, 1Ph, 230V.....	1
.....	JWBS18Q-218AE	Motor complete	3HP, 3Ph, 400V.....	1
.....	JWBS18-RCE.....	Running Capacitor.....	30uF, 450V.....	1
.....	JWBS18-CCE	Capacitor Cover.....		1
.....	JWBS18DX-FANE	Fan.....		1
.....	JWBS18Q-MFCE	Motor Fan Cover.....		1
18-1	JWBS18Q-PE.....	Plate		1
18-2	2415-426BME.....	Brake Magnet.....		1
18-3	JWBS18DX-KE	Key.....	4x4x14	1
18-4	2415-426BE.....	Block.....		1
18-5	JWBS18DX-RE	Rectifier		1
19	JWBS18DXA-219	Motor Bracket.....		1
20	TS-0081031.....	Hex Cap Screw.....	5/16-18 x 3/4	4
21	TS-0680031.....	Flat Washer.....	5/16.....	4
22	TS-0060051.....	Hex Cap Screw.....	3/8-16 x 1	1
23	TS-0720091.....	Lock Washer.....	3/8.....	1
24	TS-0680041.....	Flat Washer.....	3/8.....	2
25	JWBS18DXA-225E	Motor Pulley.....		1
26	TS-0270031.....	Set Screw.....	5/16-18 x 3/8	2
27	JWBS18DXA-227AE	Lower Front Door.....		1
28	JWBS18-142	Bolt.....		1
29	TS-0561011.....	Hex Nut	1/4-20.....	1
30	JWBS20-2	Lock Knob		1
31	TS-081F052.....	Screw.....	1/4-20 x 3/4	1
32	JWBS18-232E.....	Dust Chute		1
33	TS-0680031.....	Flat Washer.....	5/16.....	2
34	TS-0051051.....	Hex Cap Screw.....	5/16-18 x 1	2
35	JWBS18-235E.....	Plate		1
36	TS-081C032.....	Screw.....	#10-24 x 1/2	2
37	54A-S39.....	Strain Relief Bushing.....	PG11.....	2
38	TS-081C082.....	Screw.....	#10-24 x 1-1/2.....	2
39	TS-1550031.....	Flat Washer.....	M5.....	2
40	JWBS18-240	Brush		1
41	TS-2361051.....	Lock Washer.....	M5.....	2
42	TS-0560071.....	Hex Nut	#10-24	2
43	JWBS18DX-243E	Motor Cord (Switch to Motor)	1Ph.....	1
.....	JWBS18DX-243AE	Motor Cord (Switch to Motor)	3Ph.....	1
44	JWBS18DX-244.....	Power Cord	1Ph.....	1
.....	JWBS18DX-244AE	Power Cord	3Ph.....	1
45	BB-6205ZZ.....	Ball Bearing.....	6205ZZ.....	1

Index No.	Part No.	Description	Size	Qty
46	JWBS18Q-246E	I.D. Label	1Ph	1
	JWBS18Q-246AE	I.D. Label	3Ph	1
48	JWBS18-39A	Door Hinge Pin		2
49	JWBS18DX-249	Bracket		1
50	JWBS18DX-250	Shelf		1
51	TS-081C032	Screw	#10-24 x 1/2	2
52	TS-1550031	Flat Washer	M5	2
53	TS-0560071	Hex Nut	#10-24	2
54	JWBS18DX-254	Plastic Washer	5/16	1
55	TS-0720081	Lock Washer	5/16	2
56	TS-0561021	Hex Nut	5/16-18	2
62	JWBS18DXA-262	Grip		1
63	JWBS18DXA-263	Lock Handle		1

Blade Guide Assembly



Blade Guide Assembly

Index No.	Part No.	Description	Size	Qty.
1	TS-0051051	Hex Cap Bolt	5/16-18x1	4
2	TS-0720081	Lock Washer	5/16	4
3	TS-0680031	Flat Washer	5/16	4
4	JWBS18DX-304	Guide Bar Bracket		1
5	JWBS18-305	Worm		1
6	JWBS18-306	E-Ring	E-8	2
7	JWBS18-307	Gear Base		1
8	JWBS18-308	Bushing		1
9	JWBS18-309	C-Ring	S-12	2
10	JWBS18-310	Shaft		1
11	JWBS18-311	Gear		1
12	TS-0208071	Socket Head Cap Screw	5/16-18x1-1/4	2
13	JWBS18-313	Lock Knob	5/16	1
14	JWBS18DX-314	Plate		1
15	TS-0255021	Button Head Socket Screw	5/16 -18x1/2	4
16	JWBS18DX-316	Guide Bar		1
17	JWBS18DX-317E	Pointer		1
18	TS-0720071	Lock Washer	1/4	5
19	TS-0050011	Hex Cap Bolt	1/4x1/2	1
20	JWBS18-320	Guide Bracket		1
21	TS-0207021	Socket Head Cap Screw	1/4 -20x1/2	2
22	JWBS18DX-322E	Blade Guard		1
23	TS-0720111	Lock Washer	1/2	1
24	TS-0561051	Hex Nut	1/2-13	1
25	JWBS20-110	Locking Shaft		1
26	JWBS20-115	Upper Guide Bracket		1
27	JWBS20-114	Guide Wheel Assembly		2
28	JWBS20-113	Blade Support Shaft w/ Bearing		2
29	JWBS18-329	Wing Screw	1/4-20 x 3/8	4
30	TS-0270031	Socket Set Screw	5/16-18x3/8	2
31	JWBS20-2	Lock Knob		1
32	TS-081F052	Screw	1/4-20x3/4	1
33	JWBS18-333	Hand Wheel		1
34	TS-0267041	Socket Set Screw	1/4-20x3/8	1
35	JWBS20-103A	Handle		1
36	JWBS20-336E	Cutting Height Scale		1
37	JWBS18DX-337E	Lower Guide Bracket		1
38	JWBS18-338	Lower Guide Wheel Housing		2
39	JWBS18-339	Lower Guide Wheel Assembly		2
40	JWBS18DX-338	Base		1
41	TS-0207041	Socket Head Cap Screw	1/4-20x3/4	2
42	TS-0680021	Flat Washer	1/4	4
43	JWBS18DX-343E	Upper Guard Bracket		1
44	JWBS18DX-344E	Upper Blade Guard		1
45	JWBS18-345E	Philips Screw	#10-24x 3/8	4
46	JWBS18-346E	Pin	3 x 12	1
47	JWBS18-347E	Bracket Cover		1

Index No.	Part No.	Description	Size	Qty.
48	JWBS18-348E	Blade Direction Label		1
49	JWBS18DX-359	Locking Handle		1
50	JWBS18DX-360	Shaft		1
51	JWBS18DX-361	Adjusting Screw		1
52	JWBS18DX-362	Adjusting Bracket		1
53	JWBS18DX-363	Nut		1
54	TS-0267021	Set Screw	1/4-20x1/4	1
55	TS-0680031	Flat Washer	5/16	1
56	TS-0206031	Socket Head Cap Screw	#10-24x5/8	2
57	TS-0680011	Flat Washer	#10	2
58	TS-0050021	Hex Cap Screw	1/4-20x5/8	2
59	TS-0207031	Socket Head Cap Screw	1/4-20x5/8	10
60	6295293	Locking Handle		1

Table and Fence Assembly

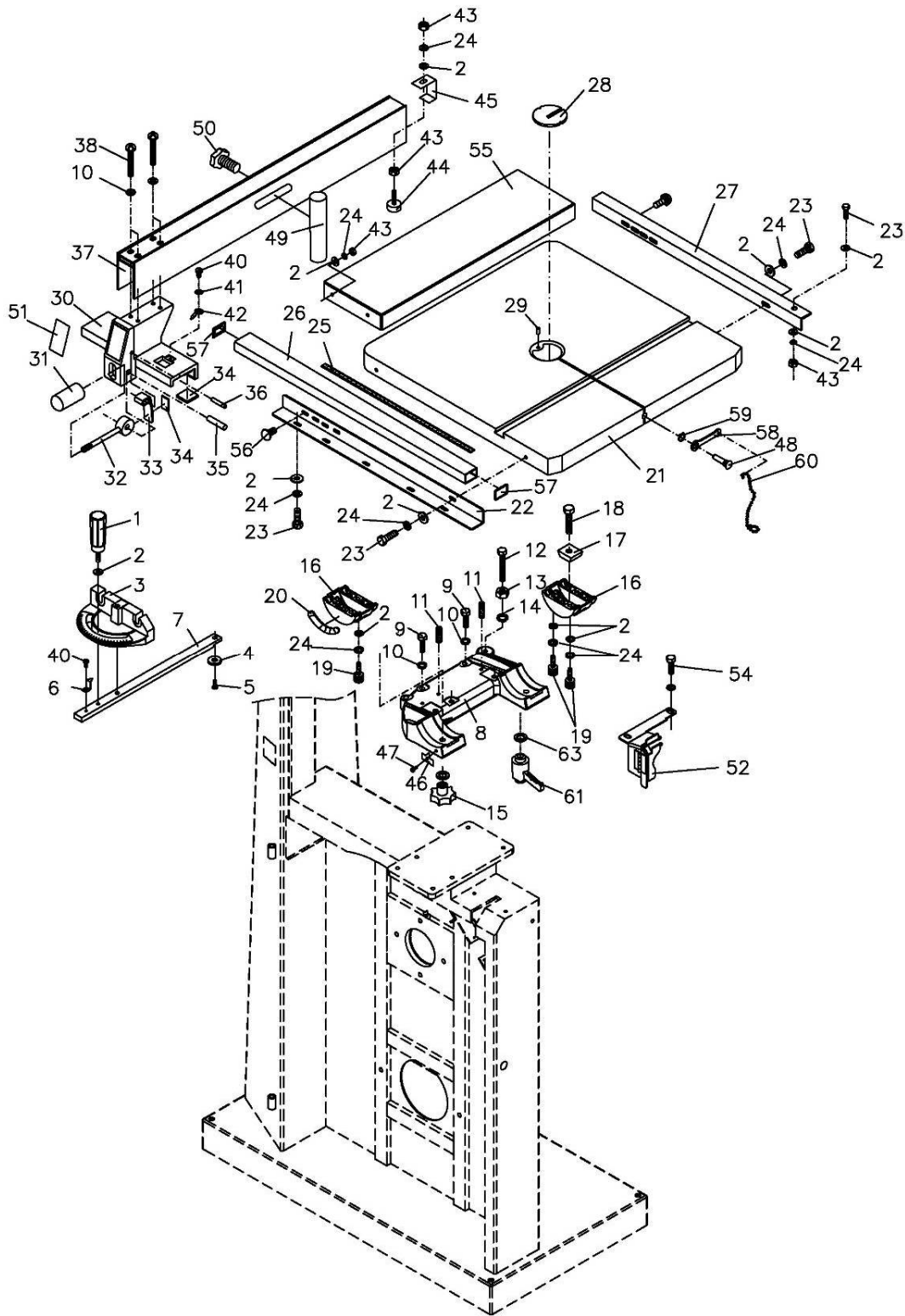


Table and Fence Assembly

Index No.	Part No.	Description	Size	Qty.
1	JWBS18-401	Lock Knob		1
2	TS-0680021	Flat Washer	1/4	22
3	JWBS18-403	Miter Gauge Body		1
4	JWBS20-156	Guide Disc		1
5	JWBS18-405	Pan Head Screw	M6x8	1
6	JWBS18-406	Pointer		1
7	JWBS18-407	Guide Bar		1
8	JWBS18X-408	Trunnion Support Bracket		1
9	TS-0051071	Hex Cap Bolt	5/16-18x1-1/2	3
10	TS-0720081	Lock Washer	5/16	10
11	TS-0270061	Set Screw	5/16-18x5/8	2
12	TS-0060111	Hex Cap Bolt	3/8-16x2-1/2	1
13	TS-0561031	Hex Nut	3/8-16	1
14	TS-0720091	Lock Washer	3/8	1
15	JWBS18-415	Lock Knob		1
16	JWBS18X-416	Trunnion		2
17	JWBS18-417	Trunnion Clamp Shoe		2
18	TS-1491081	Hex Cap Bolt	M10x50	2
19	TS-1503041	Socket Head Cap Screw	M6x16	6
20	JWBS18-420	Scale		1
21	JWBS18-421	Table		1
22	JWBS18-422E	Front Rail		1
23	TS-0050021	Hex Cap Bolt	1/4-20 x 5/8	10
24	TS-0720071	Lock Washer	1/4	21
25	JWBS18-425E	Scale		1
26	JWBS18-426W	Guide Rail		1
27	JWBS18-427E	Rear Rail		1
28	JWBS20-144	Table Insert		1
	JWBS20-144E	Narrow Table Insert		1
29	JWBS20-145	Roll Pin	3 x 10	1
30	JWBS18-430	Fence Body		1
31	JWBS18-431	Knob		1
32	JWBS18-432	Lock Handle		1
33	JWBS18-433W	Lock Plate		1
34	JWBS18-434	Pad		5
35	JWBS18-435	Pin		1
36	JWBS18-436	Pin		1
37	JWBS18-437EA	Fence		1
38	TS-0208041	Socket Head Cap Screw	5/16-18x3/4	4
40	TS-0810012	Screw	#10-24x1/4	2
41	TS-0733031	Star Washer	#10	1
42	JWBS18-442	Pointer		1
43	TS-0561011	Hex Nut	1/4-20	7
44	JWBS18-444	Sliding Pad		1
45	JWBS18-445	Rear Hook		1
46	JWBS18-446	Pointer		1
47	JWBS18-447	Screw	M5x8	1
48	JWBS18DX-448	Table Pin		1
49	JWBS18-449E	Resaw Post		1
50	JWBS18-450	Knob		1

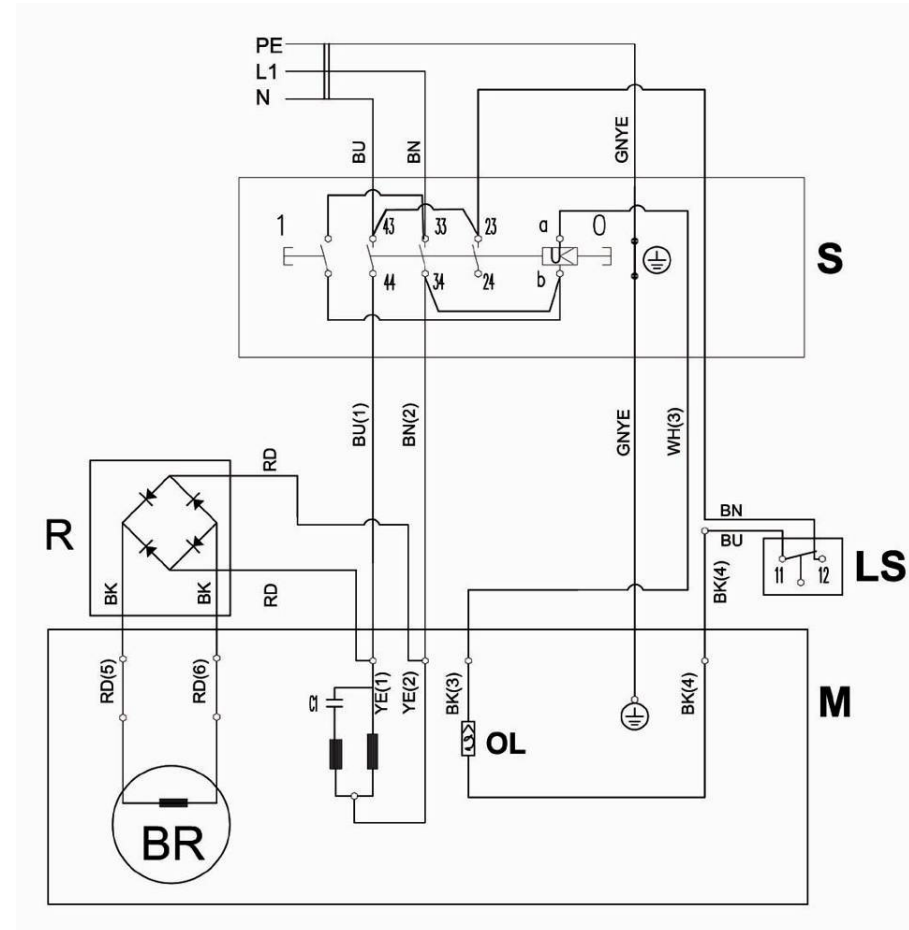
Index No.	Part No.	Description	Size	Qty.
51	JWBS18-451	JET Fence Label		1
52	JWBS18-452E	Lower Blade Guard		1
54	TS-0051091	Hex Cap Bolt	5/16-18x2	3
55	JWBS18DX-455E	Extension Table		1
56	TS-0151081	Carriage Bolt	1/4-20x5/8	4
57	2013-285	End Cover		2
58	40-0260	Wrench		1
59	JWBS18DX-459	C-Ring	S-10	2
60	JWBS18DX-460	Link Chain		1
61	JWBS18DX-458E	Lock Handle		1
62	JWBS18DX-462E	Sucker (not shown)		1
63	TS-0680061	Flat Washer	1/2	2
	JWBS18-MGCP	Miter Gauge Assembly		1
	JWBS18-FCPE	Fence Assembly Complete		1
	JWBS18DX-APE	Accessory Package		1

**JWBS-18Q
708750BM**

230/50/1

	colour of strands	Litzenfarben	couleur des cordons
BK	black	schwarz	noir
WH	white	weiß	blanc
BU	blue	blau	bleu
YE	yellow	gelb	jaune
RD	red	rot	rouge
BN	brown	braun	brun
GY	grey	grau	gris
GNYE	green-yellow	grün-gelb	vert-jaune
OG	orange	orange	orange
VT	violet	violett	violet

	meaning of symbol	Bedeutung der Zeichen	interprétation
M	motor	Motor	moteur
S	switch	Schalter	interrupteur
C	condenser	Kondensator	condensateur
R	rectifier	Gleichrichter	rectifier
BR	motor break	Motorbremse	frein de moteur
RS	reversing switch	Drehrichtungsschalter	commu. droite/gauche
CS	centrifugal switch	Fliehkraftschalter	déclencheur centrifuge
OL	overload cut-off	Überlastschuttschalter	déclencheur surcharge
LS	limit switch	Positionsendschalter	micro



JWBS-18Q 708750BT

400/50/3

	colour of strands	Litzenfarben	couleur des cordons
BK	black	schwarz	noir
WH	white	weiß	blanc
BU	blue	blau	bleu
YE	yellow	gelb	jaune
RD	red	rot	rouge
BN	brown	braun	brun
GY	grey	grau	gris
GNYE	green-yellow	grün-gelb	vert-jaune
OG	orange	orange	orange
VT	violet	violett	violet

	meaning of symbol	Bedeutung der Zeichen	interprétation
M	motor	Motor	moteur
S	switch	Schalter	interrupteur
C	condenser	Kondensator	condensateur
R	rectifier	Gleichrichter	rectifier
BR	motor break	Motorbremse	frein de moteur
RS	reversing switch	Drehrichtungsschalter	commu. droite/gauche
CS	centrifugal switch	Fliehkraftschalter	déclencheur centrifuge
OL	overload cut-off	Überlastschuttschalter	déclencheur surcharge
LS	limit swith	Positionsendschalter	micro

