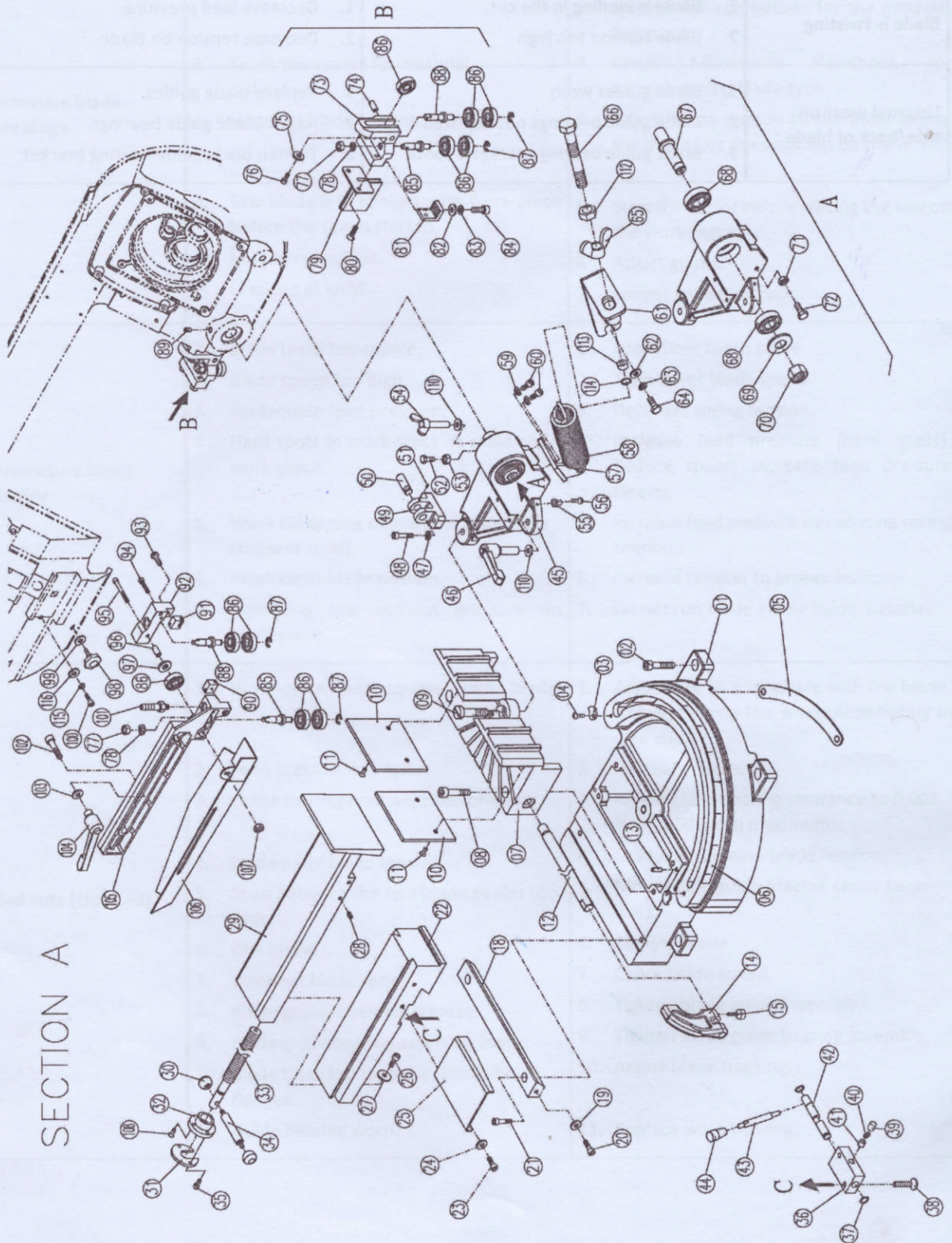
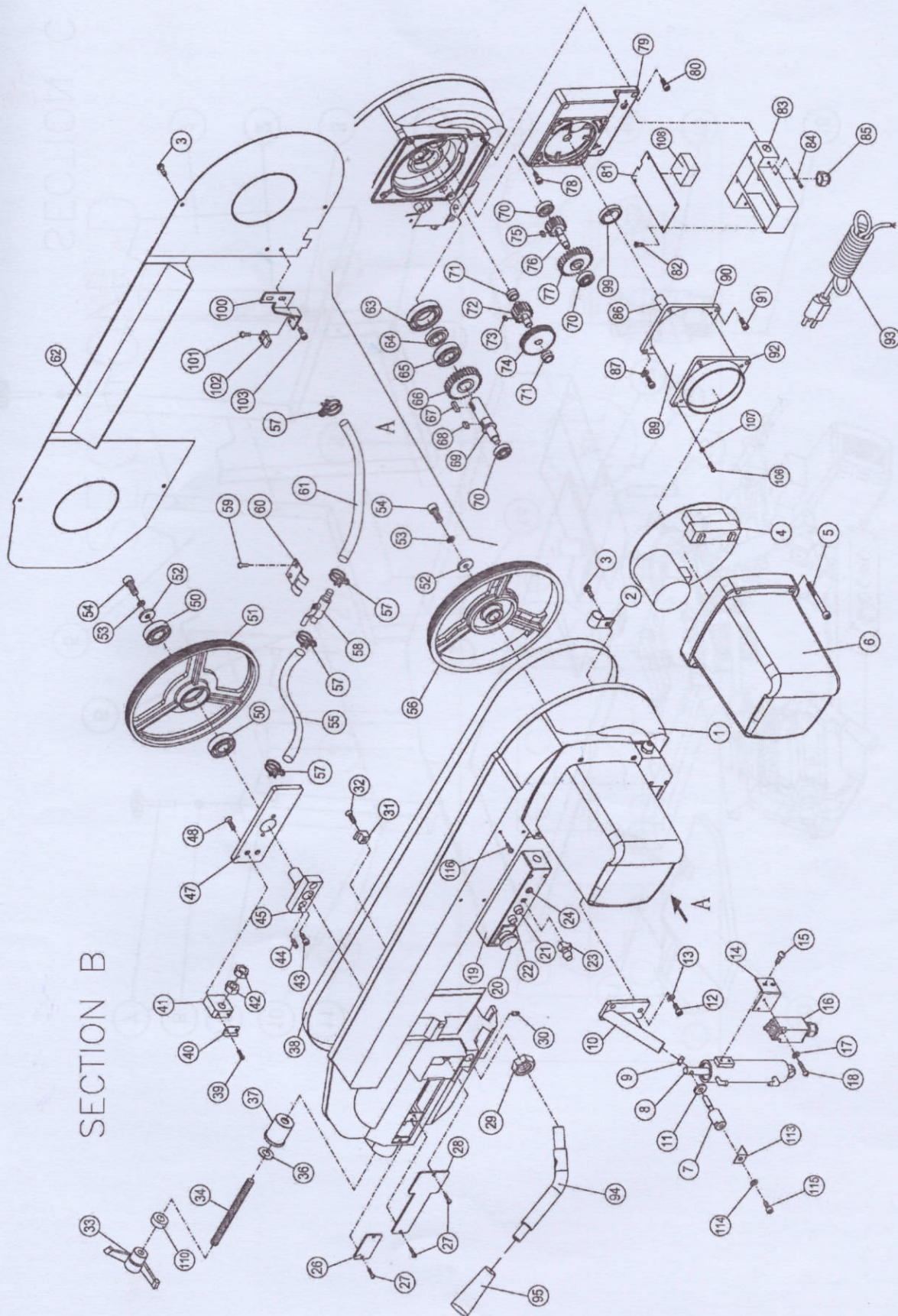


Replacement Parts Drawing

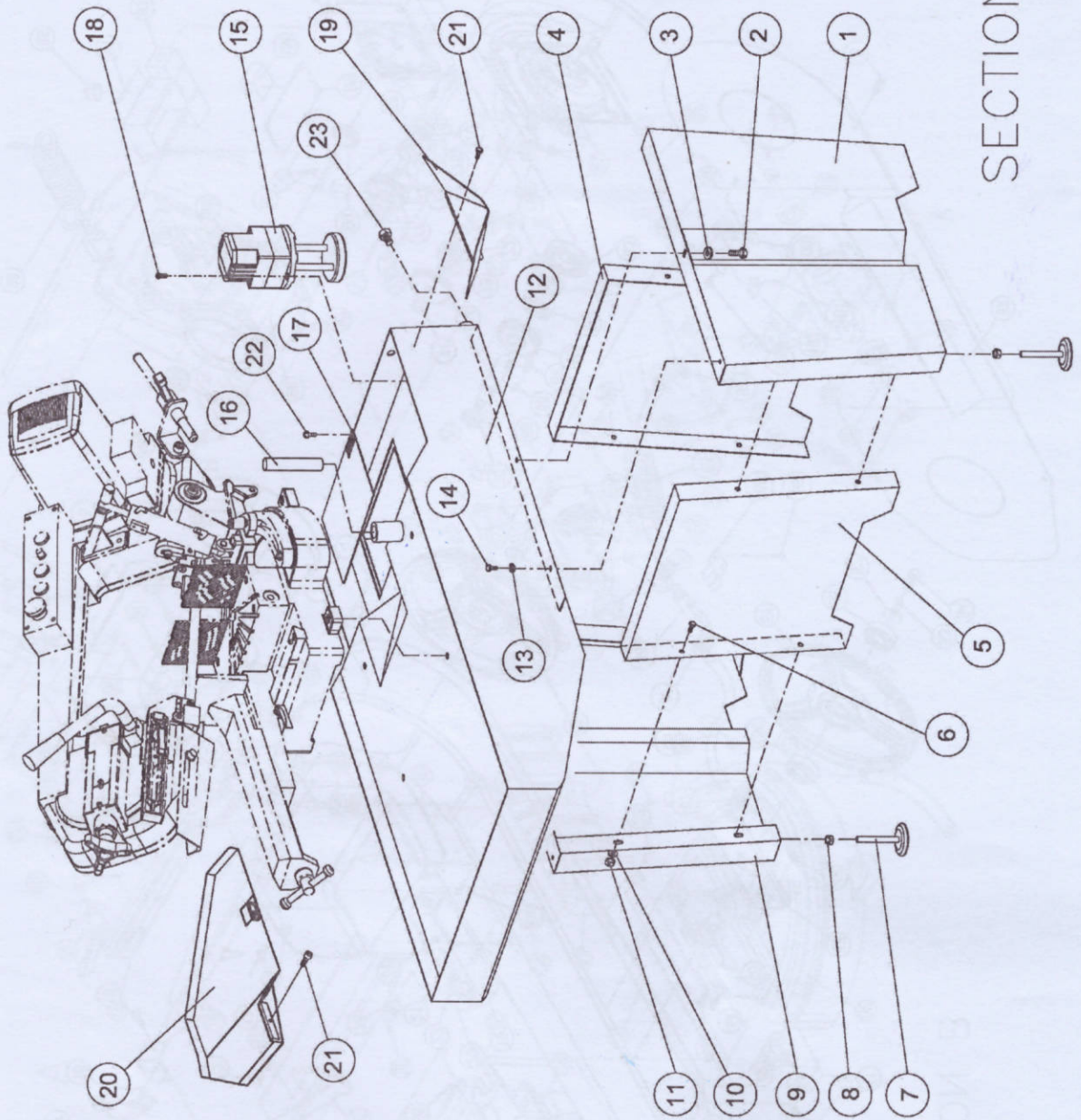
Saw Table Assembly Drawing (1 of 4) - Exploded View



Saw Bow Assembly Drawing (2 of 4) - Exploded View

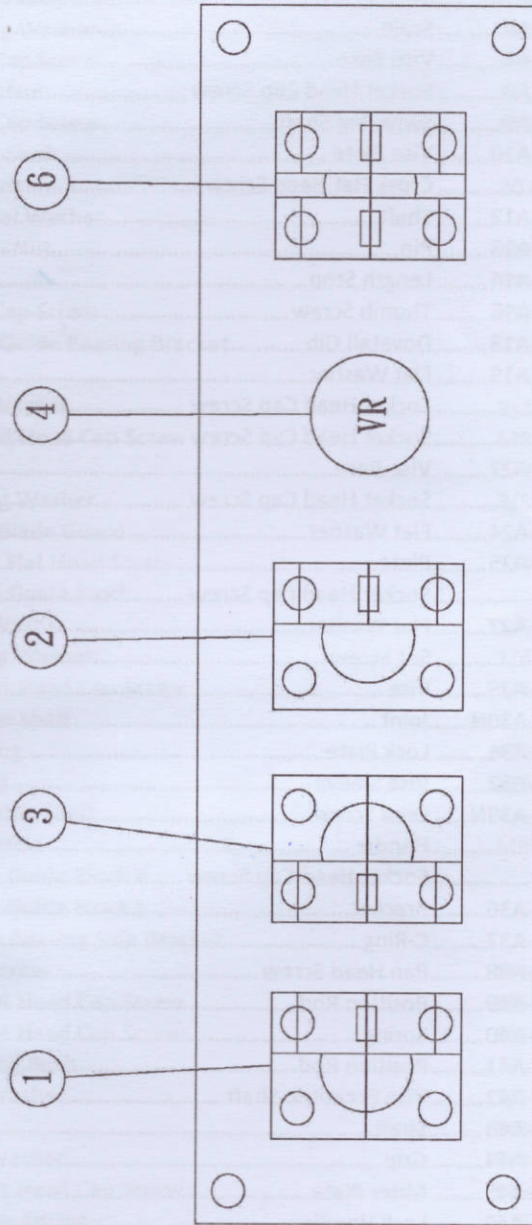


Saw Stand Assembly Drawing (3 of 4) - Exploded View



SECTION C

SECTION D



MBS-708CSB Part List

Index No.	Part No.	Description	Size	Q'ty
A1	MBS-708CSB-A1	Base		1
A2	TS-1505041E	Socket Head Cap Screw	M10x30	4
A3	MBS-708CSB-A3	Angle Plate		2
A4	TS-1533032E	Cross Round Head Screw	M5x10	2
A5	MBS-708CSB-A5	Swivel Plate		1
A6	MBS-708CSB-A6	Scale		1
A7	MBS-708CSB-A7	Vise Base		1
A8	MBS-708CSB-A8	Socket Head Cap Screw	M8x65	4
A9	MBS-708CSB-A9	Swiveling Shaft		1
A10	MBS-708CSB-A10	Vise Plate		2
A11	TS-1534042E	Cross Flat Head Screw	M6x12	4
A12	MBS-708CSB-A12	Shaft		1
A13	MBS-708CSB-A13	Pin	6x12	2
A14	MBS-708CSB-A14	Length Stop		1
A15	MBS-708CSB-A15	Thumb Screw	1/4x13	1
A18	MBS-708CSB-A18	Dovetail Gib		1
A19	MBS-708CSB-A19	Flat Washer	8x25x3	2
A20	TS-1504031E	Socket Head Cap Screw	M8x16	2
A21	TS-1504041E	Socket Head Cap Screw	M8x20	2
A22	MBS-708CSB-A22	Vise Base		1
A23	TS-1504041E	Socket Head Cap Screw	M8x20	2
A24	MBS-708CSB-A24	Flat Washer	8x18x2	2
A25	MBS-708CSB-A25	Plate		1
A26	TS-1504021E	Socket Head Cap Screw	M8x12	1
A27	MBS-708CSB-A27	Flat Washer	8x23x2	1
A28	TS-1523031E	Set Screw	M6x10	2
A29	MBS-708CSB-A29	Vise		1
A30	MBS-708CSB-A30N	Joint	M6	2
A31	MBS-708CSB-A31	Lock Plate		1
A32	MBS-708CSB-A32	Vise Sleeve		1
A33	MBS-708CSB-A33N	Lead Screw		1
A34	TS-0270031E	Handle		1
A35	TS-1502021E	Socket Head Cap Screw	M5x10	2
A36	MBS-708CSB-A36	Bracket		1
A37	MBS-708CSB-A37	C-Ring	S-15	2
A38	MBS-708CSB-A38	Pan Head Screw	M8x30	2
A39	MBS-708CSB-A39	Position Rod		1
A40	MBS-708CSB-A40	Spring	D8xd5.6x14L	1
A41	MBS-708CSB-A41	Position Rod		1
A42	MBS-708CSB-A42	Vise Eccentric Shaft		1
A43	MBS-708CSB-A43	Shaft		1
A44	MBS-708CSB-A44	Grip	5/16"	1
A45	MBS-708CSB-A45	Miter Plate		1
A46	MBS-708CSB-A46	Lock Handle	TRT-80 M8x50	1
A47	TS-1551041E	Spring Washer	M6	2
A48	TS-1503061E	Socket Head Cap Screw	M6x25	2
A49	MBS-708CSB-A49	Cylinder Lower Fixed Bracket		1
A50	MBS-708CSB-A50	Shaft		1
A51	TS-1521031E	Set Screw	M4x8	1
A52	TS-2208201E	Hex Cap Screw	M8x20	1
A53	MBS-708CSB-A53	Nut	M8x12x4.5	1
A54	MBS-708CSB-A54	Wing Screw	M8x40	1
A55	MBS-708CSB-A55	Pointer		1
A56	MBS-708CSB-A56	Cross Round Head Screw	M5x8	1

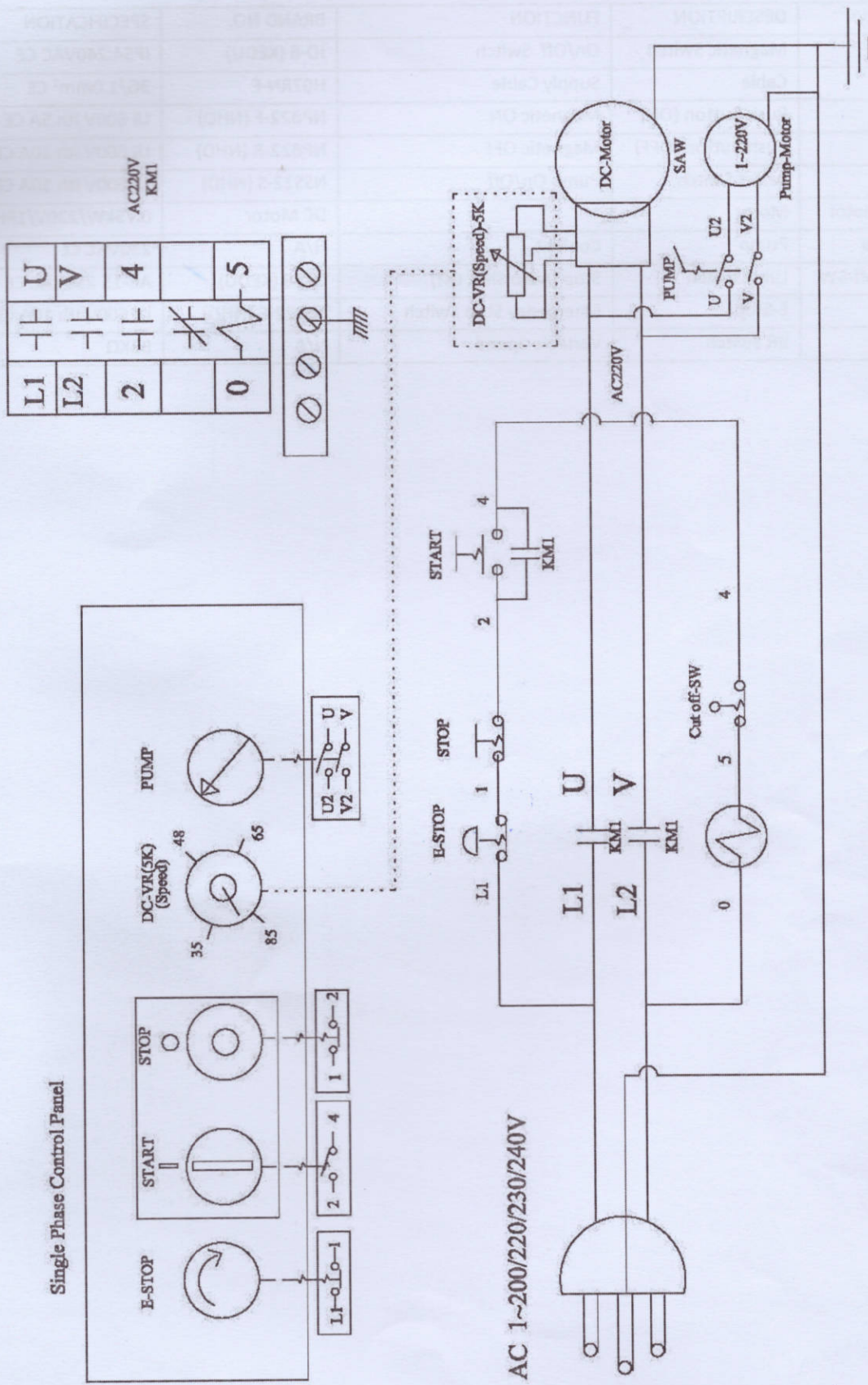
Index No.	Part No.	Description	Size	Q'ty
A57	MBS-708CSB-A57	Spring Lower Bracket		1
A58	MBS-708CSB-A58	Spring		1
A59	TS-1551031E	Spring Washer	M5	4
A60	TS-1502041E	Socket Head Cap Screw	M5x16	4
A61	MBS-708CSB-A61	Spring Upper Bracket		1
A62	MBS-708CSB-A62	Flat Washer	12x28x3	1
A63	TS-1551081E	Spring Washer	M12	1
A64	TS-1492021E	Hex Cap Screw	M12x30	1
A65	MBS-708CSB-A65	Wing Nut	M16	1
A66	MBS-708CSB-A66	Hex Cap Screw	M16x140	1
A67	MBS-708CSB-A67	Main Shaft		1
A68	MBS-708CSB-A68	Bearing	30304	2
A69	MBS-708CSB-A69	Special Washer		1
A70	MBS-708CSB-A70	Nylon Nut	M20x1.5	1
A71	MBS-708CSB-A71	Nut	M8	1
A72	TS-1490061E	Hex Cap Screw	M8x35	1
A73	MBS-708CSB-A73	Rear Guide Bearing Bracket		1
A74	MBS-708CSB-A74	Pin		1
A75	MBS-708CSB-A75	Flat Washer	8x18x2	1
A76	TS-1504061E	Socket Head Cap Screw	M8x30	1
A77	MBS-708CSB-A77	Nut	3/8x24	4
A78	TS-0720091E	Spring Washer	3/8	4
A79	MBS-708CSB-A79	Rear Blade Guard		1
A80	TS-081F031E	Cross Flat Head Screw	1/4x1/2	2
A81	MBS-708CSB-A81	Blade Guide Block		2
A82	MBS-708CSB-A82	Flat Washer	1/4"x13x1	2
A83	TS-0720071E	Spring Washer	1/4"	2
A84	TS-0207041E	Socket Head Cap Screw	1/4"x3/4"	2
A85	MBS-708CSB-A85	Center Shaft		2
A86	BB-608ZZE	Bearing	608	10
A87	MBS-708CSB-A87	E-Ring	3CM1-8	4
A88	MBS-708CSB-A88	Eccentric Shaft		2
A89	TS-1524041E	Set Screw	M8x16	1
A90	MBS-708CSB-A90	Blade Guide Block R		1
A91	MBS-708CSB-A91	Blade Guide Block L		1
A92	MBS-708CSB-A92	Guide Bearing Side Bracket		1
A93	MBS-708CSB-A93	Tap Screw	M4x20	2
A94	TS-1502061E	Socket Head Cap Screw	M5x25	1
A95	MBS-708CSB-A95	Socket Head Cap Screw	M5x50	1
A96	MBS-708CSB-A96	Bearing Bush		1
A97	MBS-708CSB-A97	Flat Washer	5/16x16x1	1
A98	MBS-708CSB-A98	Knob	M8x16	1
A99	MBS-708CSB-A99	Flat Washer	8x18x2	1
A100	TS-1503031E	Socket Head Cap Screw	M6x40	1
A101	MBS-708CSB-A101	Copper Fitting	1/8PTx5/16	1
A102	TS-1504081E	Socket Head Cap Screw	M8x40	1
A103	MBS-708CSB-A103	Flat Washer	8x23x2	1
A104	MBS-708CSB-A104	Lock Handle	M8	1
A105	MBS-708CSB-A105	Front Guide Bearing Bracket		1
A106	MBS-708CSB-A106	Front Blade Guard		1
A107	MBS-708CSB-A107	Nut	M5	1
A108	TS-1532042E	Pan Head Screw	M4x12	2
A110	MBS-708CSB-A110	Flat Washer	8x18x2	2
A112	MBS-708CSB-A112	Nut	M16x24x8P	2
A113	MBS-708CSB-A113	Bush		1
A114	MBS-708CSB-A114	C Ring	R-25	1

Index No.	Part No.	Description	Size	Q'ty
A115	MBS-708CSB-A115	Nylon Nut	M6	1
A116	MBS-708CSB-A116	Flat Washer	6x19x1	1
B1	MBS-708CSB-B1	Bow		1
B2	MBS-708CSB-B2	Cable Tie		4
B3	TS-1533032E	Cross Round Head Screw	M5x10	7
B4	MBS-708CSB-B4	Motor Relay		1
B5	TS-1502081E	Socket Head Cap Screw	M5x35	4
B6	MBS-708CSB-B6N	Plastic Cover		1
B7	MBS-708CSB-B7	Axle		1
B8	MBS-708CSB-B8	Hydraulic Cylinder		1
B9	MBS-708CSB-B9	Nut	M8x12x4.5	1
B10	MBS-708CSB-B10	Upper Bracket		1
B11	MBS-708CSB-B11	Flat Washer	10x25x2	1
B12	TS-1504041E	Socket Head Cap Screw	M8x20	2
B13	MBS-708CSB-B13	Spring Washer	M8	2
B14	MBS-708CSB-B14	Bracket		1
B15	MBS-708CSB-B15	Socket Head Button Screw	M5x6	2
B16	MBS-708CSB-B16	Limit Switch	QKS8	1
B17	TS-1551031E	Spring Washer	M5	4
B18	TS-2285302E	Cross Round Head Screw	M5x30	2
B19	MBS-708CSB-B19	Control Box		1
B20	MBS-708CSB-B20	Emergency Stop Switch		1
B21	MBS-708CSB-B21	Stop Switch		1
B22	MBS-708CSB-B22	Start Switch		1
B23	MBS-708CSB-B23	Blade Speed Knob		1
B24	MBS-708CSB-B24	Coolant ON/OFF Switch		1
B26	MBS-708CSB-B26	Transparent Plate		1
B27	TS-2284082E	Cross Round Head Screw	M4x8	4
B28	MBS-708CSB-B28	Plate		1
B29	MBS-708CSB-B29	Nut	M16	1
B30	TS-2276081E	Set Screw	M6x8	1
B31	MBS-708CSB-B31	Slide Bracket		4
B32	TS-1514031E	Socket Head Flat Screw	M6x20	4
B33	MBS-708CSB-B33N	Tension Handle		1
B34	MBS-708CSB-B34N	Lead Screw	M12x160	1
B36	MBS-708CSB-B36	Tap Washer		12
B37	MBS-708CSB-B37	Bushing		1
B38	MBS-708CSB-B38	Blade	19x0.9x2285	1
B39	MBS-708CSB-B39	Cross Round Head Screw	M4x6	2
B40	MBS-708CSB-B40	Tension Gauge		1
B41	MBS-708CSB-B41	Adjustment Bracket		1
B42	MBS-708CSB-B42	Nut	M12	2
B43	TS-1504031E	Socket Head Cap Screw	M8x16	2
B44	TS-1524041E	Set Screw	M8x16	1
B45	MBS-708CSB-B45N	Connecting Shaft		1
B47	MBS-708CSB-B47N	Tension Slide Bracket		1
B48	TS-1515031E	Socket Head Flat Screw	M8x25	2
B50	BB-6204ZZE	Bearing	6204	2
B51	MBS-708CSB-B51	Saw Wheel		1
B52	MBS-708CSB-B52	Flat Washer	8x25x3	2
B53	MBS-708CSB-B53	Spring Washer	M8	2
B54	TS-1504041E	Socket Head Cap Screw	M8x20	2
B55	MBS-708CSB-B55	Hose	540mm	1
B56	MBS-708CSB-B56	Rear Saw Wheel		1
B57	MBS-708CSB-B57	Hose Clamp	5/16"	4
B58	MBS-708CSB-B58	Valve	5/16"	1

Index No.	Part No.	Description	Size	Q'ty
B59	TS-1533032E	Cross Round Head Screw	M5x10	2
B60	MBS-708CSB-B60	Brace		1
B61	MBS-708CSB-B61N	Hose	1760mm	1
B62	MBS-708CSB-B62	Cover		1
B63	BB-6007E	Ball Bearing	6007	1
B64	MBS-708CSB-B64	Bushing		1
B65	BB-6204ZZE	Bearing	6204	1
B66	MBS-708CSB-B66	Output Gear		1
B67	MBS-708CSB-B67	Key	6x6x20	1
B68	MBS-708CSB-B68	Key	6x6x4	1
B69	MBS-708CSB-B69	Output Shaft		1
B70	BB-6200ZZE	Ball Bearing	6200	3
B71	MBS-708CSB-B71	Taper Bearing	6801	4
B72	MBS-708CSB-B72	Gear Shaft		1
B73	MBS-708CSB-B73	Key	5x5x8.2	1
B74	MBS-708CSB-B74	Reducer Gear		1
B75	MBS-708CSB-B75	Key	5x5x12	1
B76	MBS-708CSB-B76	Guide Shaft		1
B77	MBS-708CSB-B77	Guide Gear		1
	MBS-708CSB-GGA	Guide Gear Assembly (including B70, B75~B77)		
B78	TS-1503091E	Socket Head Cap Screw	M6x40	2
B79	MBS-708CSB-B79	Gear Box Cover		1
B80	TS-1503051E	Socket Head Cap Screw	M6x20	2
B81	MBS-708CSB-B81	Cover		1
B82	TS-2284082E	Pan Head Screw	M4x8	4
B83	MBS-708CSB-B83	Wiring Box		1
B84	MBS-708CSB-B84	Cross Round Head Screw	M5x45	2
B85	MBS-708CSB-B85	Wire Locker	PG-9	3
B86	MBS-708CSB-B86	Motor Shaft		1
B87	MBS-708CSB-B87	Spring Washer	M6	4
	MBS-708CSB-MA	Motor Assembly (including B4, B86, B89, B90, B92)	0.75kW 1Ph 230V	
B89	MBS-708CSB-B89	Motor Housing		1
B90	MBS-708CSB-B90	Motor Front Cover		1
B91	TS-1503041E	Socket Head Cap Screw	M6x16	4
	MBS-708CSB-MRA	Motor Relay Assembly (including B4, B92)		
B92	MBS-708CSB-B92	Motor Rear Cover		1
B93	MBS-708CSB-B93	Power Cord		1
B94	MBS-708CSB-B94N	Tube		1
B95	MBS-708CSB-B95N	Handle		1
B99	MBS-708CSB-B99	Oil Seal	TC15225	1
B100	MBS-708CSB-B100	Brush Bracket		1
B101	MBS-708CSB-B101	Cross Round Head Screw	M3x12	2
B102	MBS-708CSB-B102	Brush		1
B103	MBS-708CSB-B102	Button Head Screw	M5x6	2
B106	TS-1533052E	Cross Round Head Screw	M5x15	1
B107	MBS-708CSB-B107	Nut	M5	1
B108	MBS-708CSB-B108	Contacto	JD-6 AC 230V/3A1B	1
B110	MBS-708CSB-B110	Spacer		1
B113	MBS-708CSB-B113	Shut-off Bracket		1
B114	MBS-708CSB-B114	Spring Washer	M6	1
B115	TS-1503031E	Socket Head Cap Screw	M6x12	1
B116	MBS-708CSB-B116	Cross Round Head Screw	M4x10	5
C1	MBS-708CSB-C1	Right Stand		1
C2	TS-2228161E	Hex Cap Screw	M8x16	2
C3	MBS-708CSB-C3	Flat Washer	M8x18x2	2
C4	MBS-708CSB-C4	Rear Stand		1

Index No.	Part No.	Description	Size	Q'ty
C5	MBS-708CSB-C5	Front Stand		1
C6	TS-2228161E	Hex Cap Screw	M8x16	8
C7	MBS-708CSB-C7	Level Pad	1/2"	2
C8	MBS-708CSB-C8	Nut	1/2"	2
C9	MBS-708CSB-C9	Left Stand		1
C10	MBS-708CSB-C10	Flat Washer	M8x18x2	8
C11	MBS-708CSB-C11	Nut	M8	8
C12	MBS-708CSB-C12N	Water Tray		1
C13	MBS-708CSB-C13	Flat Washer	M8x18x2	2
C14	TS-2228161E	Hex Cap Screw	M8x16	2
C15	MBS-708CSB-C15	Pump	32W 1Ph 230V	1
C16	MBS-708CSB-C16	Position Rod		1
C17	MBS-708CSB-C17	Screen		1
C18	TS-2286252E	Big Round Head Screw	M6x25	2
C19	MBS-708CSB-C19	Chip Tray		1
C20	MBS-708CSB-C20	Chip Tray		1
C21	TS-1502021E	Socket Head Cap Screw	M5x10	4
C22	TS-2171012E	Cross Round Head Screw	M4x6	2
C23	MBS-708CSB-C23	Drain Plug	3/8"PT	1
D1	MBS-708CSB-D1	Emergency Stop Connector		1
D2	MBS-708CSB-D2	Stop Button Connector		1
D3	MBS-708CSB-D3	Start Button Connector		1
D4	MBS-708CSB-D4	VR Switch	B5KΩ	1
D6	MBS-708CSB-D6	Coolant Pump Connector		1

Wiring Diagrams



MBS-708CSB Electrical Appliance Description

Symbol	DESCRIPTION	FUNCTION	BRAND NO.	SPECIFICATION
KM1	Magnetic Switch	On/Off Switch	JD-6 (KEDU)	IP54:240VAC CE
	Cable	Supply Cable	H07RN-F	3G/1.0mm ² CE
SB3	Push Button (ON)	Magnetic ON	NPB22-F (NHD)	UI 600V Ith 5A CE
SB2	Push Button (OFF)	Magnetic OFF	NPB22-R (NHD)	UI 600V Ith 10A CE
SA2	Select Switch	Pump On/Off	NSS22-S (NHD)	UI 600V Ith 10A CE
DC Motor	Motor		DC Motor	0.75kW/230V/1PH
Pump	Pump	Coolant	N/A	230VAC CE
Cut off-SW	Limit Switch	Stop (Auto Shut Off)	QKS8 (KEDU)	AC-15 250VAC CE IP54
SB1	E-Stop	Emergency Stop Switch	NSS22-F (NHD)	UI 600V Ith 10A CE
VR1	VR Switch	Variable Speed	N/A	B5KΩ