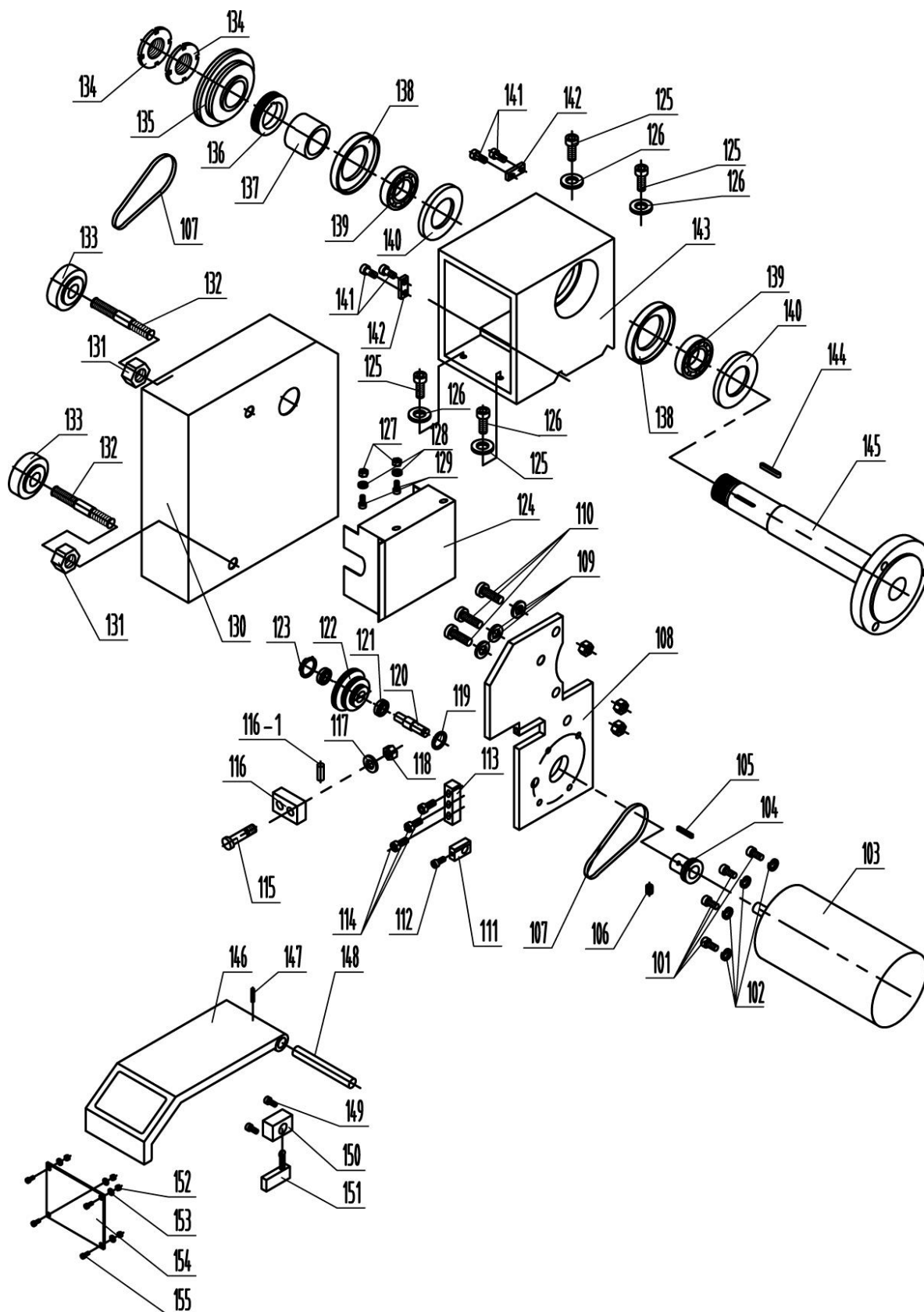


15.0 Replacement Parts

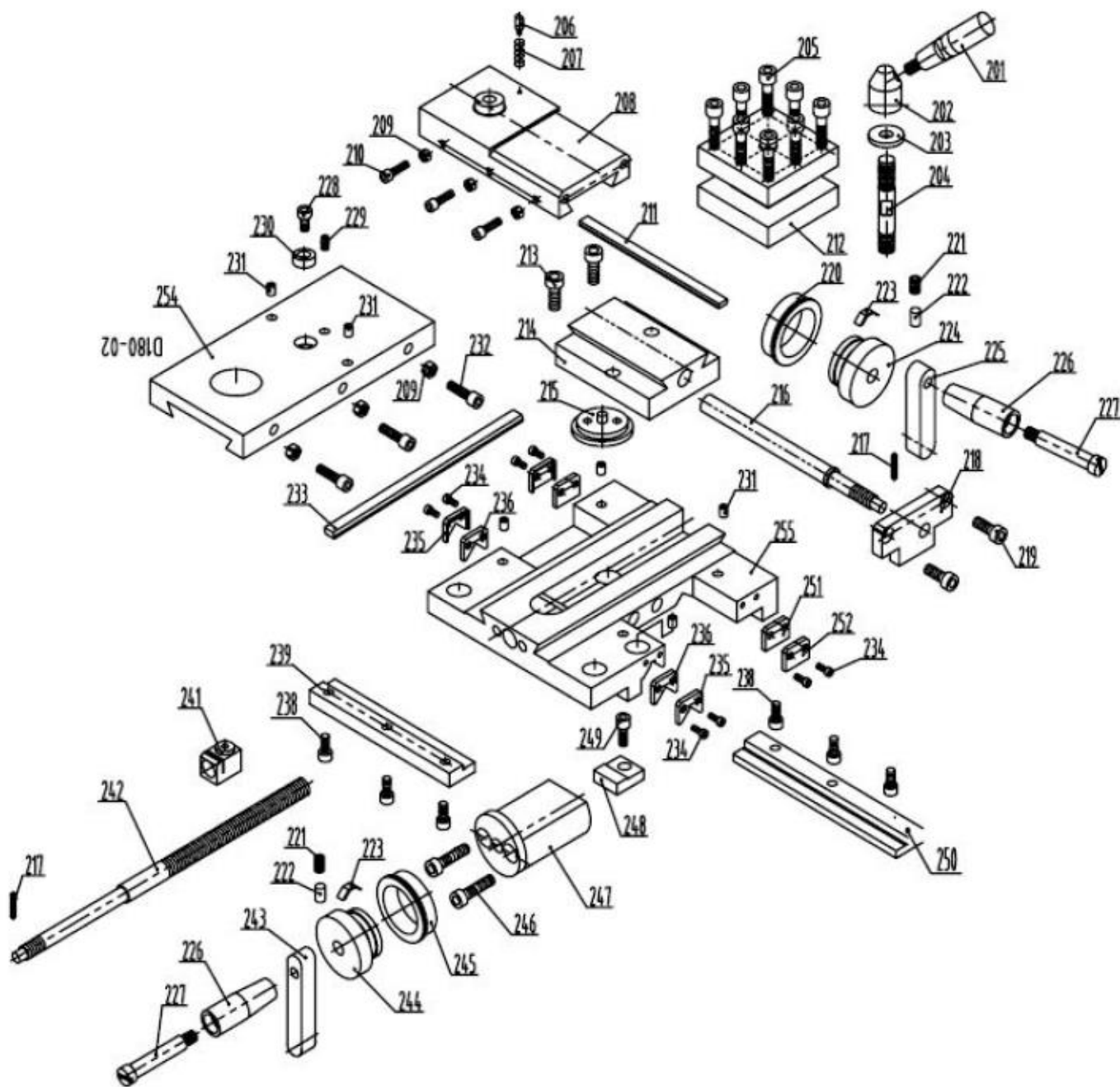
BD-7VS Assembly Breakdown -1



BD-7VS Parts List for Breakdown -1

Index No.	Part No.	Description	Size	Qty.
101	BD7VS-1	HEXAGON SOCKET HEAD CAP SCREW DIN 912	M5x25	4
102	BD7VS-2	SPLIT WASHER DIN 127	5	4
103	BD7VS-103	D.C.MOTOR		1
	BD7VS-103B	Brush for D.C MOTOR (not shown)		2
104	BD7VS-104	V-BELT PULLEY ENGINE		1
105	BD7VS-3	FEATHER KEY	DIN 6885-A4x4x20	1
106	BD7VS-4	SET SCREW DIN 915	M6x8	1
107	BD7VS-107	SYNCHRONOUS BELT	Gates 5M-365	2
108	BD7VS-108	SUPPORTING PLATE		1
109	BD7VS-5	DISK	8	3
110	BD7VS-6	HEXAGON SOCKET HEAD CAP SCREW DIN 912	M8x20	3
111	BD7VS-111	SLIDING PAD		1
112	BD7VS-7	HEXAGON SOCKET HEAD CAP SCREW DIN 912	M6x30	1
113	BD7VS-113	THRUST BEARING		1
114	BD7VS-8	HEXAGON SOCKET HEAD CAP SCREW DIN 912	M6x20	2
115	BD7VS-115	AXIS		1
116	BD7VS-116	BEARING BLOCK-INTER-MEDIATE WHEEL		1
116- 1	BD7VS-9	ALIGNMENT PIN	4x22	1
117	BD7VS-10	DISK	8	1
118	BD7VS-11	HEXAGON NUT	M8	3
119	BD7VS-12	LOCKING RING	DIN 471-8 x0.8	1
120	BD7VS-120	COUNTERSHAFT		1
121	BD7VS-121	DEEP GROOVE BALL BEARING	608-RZ	2
122	BD7VS-122	PULLEY COUNTERSHAFT		1
123	BD7VS-13	LOCKING RING	DIN 471-22x1	1
124	BD7VS-124	BOTTOM COVER		1
125	BD7VS-14	HEXAGON SOCKET HEAD CAP SCREW DIN 912	M8x25	4
126	BD7VS-15	DISK	8	4
127	BD7VS-16	NUT . M5	2	
128	BD7VS-17	DISK	5	2
129	BD7VS-18	HEXAGON SOCKET HEAD CAP SCREW DIN 912	M8x25	2
130	BD7VS-130	PROTECTIVE COVER CHANGE GEAR WHEELS		1
131	BD7VS-19	NUT . M10	2	
132	BD7VS-132	THREADED BOLT	M10x80	2
133	BD7VS-20	KNURLED NUT	M10	2
134	BD7VS-134	GROOVE NUT	DIN 1804- M27x1-w	2
135	BD7VS-135	DRIVE PULLEY		1
136	BD7VS-136	TOOTHED WHEEL	(Z=40)	1
137	BD7VS-137	CONTACT PRESSURE SLEEVE/COLLET		1
138	BD7VS-138	BEARING COVER		2
139	BD7VS-139	TAPERED ROLLER BEARING	30206/P5	2
140	BD7VS-140	BEARING COVER		2
141	BD7VS-21	HEXAGON SOCKET HEAD CAP SCREW DIN 912	M4x10	4
142	BD7VS-142	FIXING PLATE PROTECTIVE COVER CHANGE WHEELS		2
143	BD7VS-143	HOUSING HEADSTOCK		1
144	BD7VS-22	FEATHER KEY	DIN 6885-A3x3x15	1
145	BD7VS-145	SPINDLE		1
146	BD7VS-146	CHUCK GUARD		1
147	GB87986-3-20	ROLL PIN	3 x 20 mm	1
148	BD7VS-148	SHAFT		1
149	GB7085-5-12	SOCKET HD SCREW	M5 x 12 mm	2
150	BD7VS-150	BRACKET		1
151	BD7VS-151	MICRO SWITCH		1
152	GB617286-4	HEX NUT (THIN)	M4	4
153	GB97185-4	WASHER	4	4
154	BD7VS-154	ARCRYLIC GLASS		1
155	GB7085-4-10	SOCKET HD SCREW	M4 x 10 mm	4

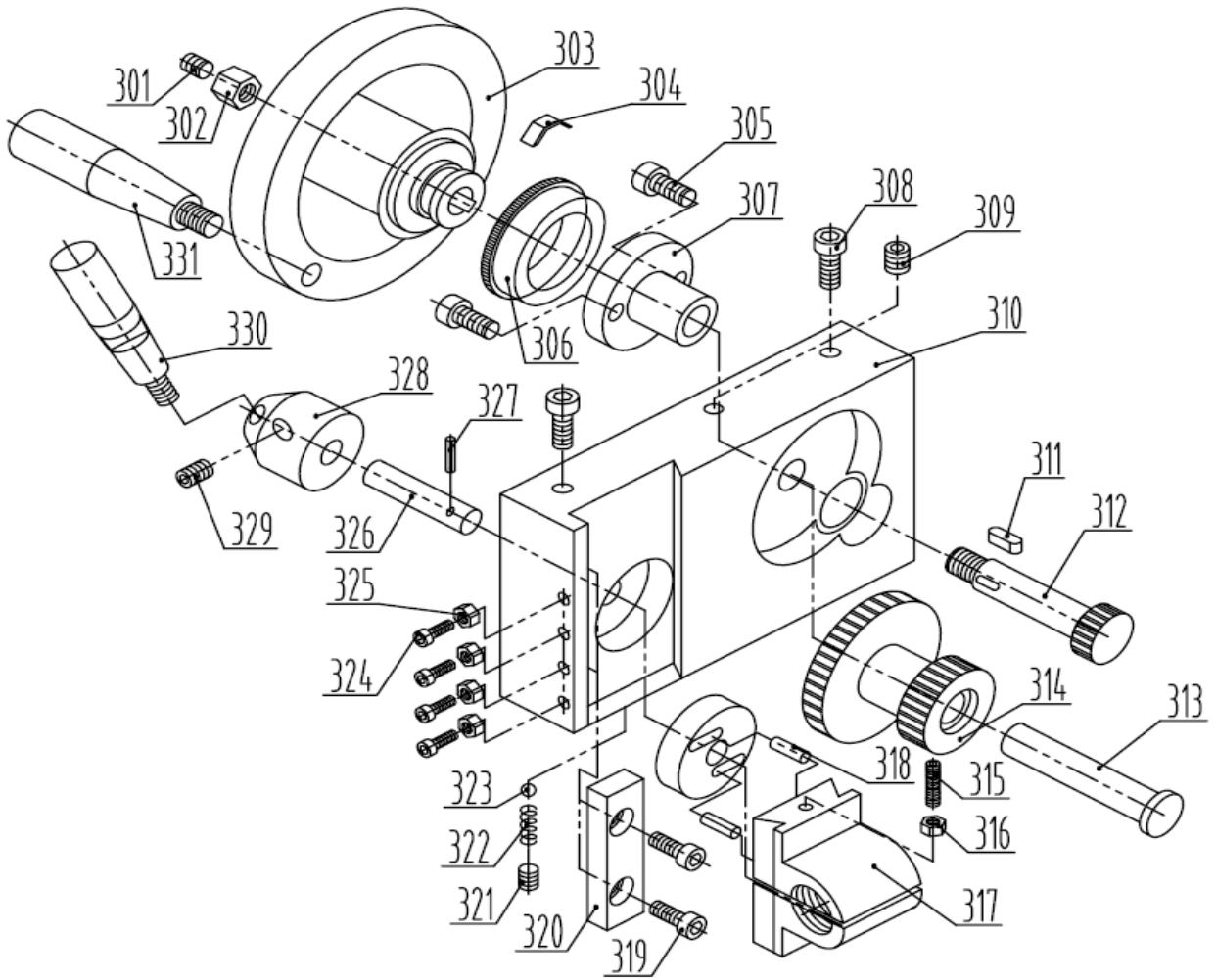
BD-7VS Assembly Breakdown -2



BD-7VS Parts List for Breakdown -2

Index No.	Part No.	Description	Size	Qty.
201	BD7VS-201	HANDLE		1.
202	BD7VS-202	TIGHTENING NUT QUADRUPLICATE TOOL HOLDER		1
203	BD7VS-203	WASHER QUADRUPLICATE TOOL HOLDER		1.
204	BD7VS-204	THREADED BOLT QUADRUPLICATE TOOL HOLDER		1
205	BD7VS-23	HEXAGON SOCKET HEAD CAP SCREW DIN 912 ...M6x25		8.
206	BD7VS-206	STOP BOLT TOOL HOLDER		1.
207	BD7VS-207	SPRING	ø5xø10xø1	1.
208	BD7VS-208	TOP SLIDE		1.
209	BD7VS-24	HEXAGON NUT	M4	1.
210	BD7VS-25	HEXAGON SOCKET HEAD CAP SCREW DIN 912 ...M4x14		3.
211	BD7VS-211	ADJUSTING GIB		1.
212	BD7VS-212	QUADRUPLICATE TOOL HOLDER		1.
213	BD7VS-26	HEXAGON SOCKET HEAD CAP SCREW DIN 912 ...M5x30		2.
214	BD7VS-214	DOVETAIL GUIDE TOP SLIDE		1.
215	BD7VS-215	SWIVEL TOP SLIDE		1.
216	BD7VS-216	SPINDLE TOP SLIDE		1.
217	BD7VS-27	DOWEL PIN	3x12	2.
218	BD7VS-218	BEARING BLOCK SPIN-DLE TOP SLIDE		1.
219	BD7VS-28	HEXAGON SOCKET HEAD CAP SCREW DIN 912 ...M5x12		2.
220	BD7VS-220	GRADUATED COLLAR HANDWHEEL TOP SLIDE		1.
221	BD7VS-29	SET SCREW DIN 915	M6x6	2.
222	BD7VS-222	PIN	2	
223	BD7VS-30	SPRING STEEL SHEET		2.
224	BD7VS-224	GUIDING DISK GRADUATED COLLAR TOP SLIDE		2.
225	BD7VS-225	LEVER TOP SLIDE		1.
226	BD7VS-226	GRIP COLLAR		2.
227	BD7VS-227	FIXING SCREW GRIP COLLAR		2.
228	BD7VS-31	HEXAGON SOCKET HEAD CAP SCREW DIN 912 ...M4x8		1.
229	BD7VS-32	SET SCREW DIN 914	M5x10	1.
230	BD7VS-230	COLLAR		1.
231	BD7VS-33	OILER	D	6mm6
232	BD7VS-34	HEXAGON SOCKET HEAD CAP SCREW DIN 912 ...M4x20		3.
233	BD7VS-233	ADJUSTING GIB COM-POUND SLIDE		1.
234	BD7VS-35	TALLOW-DROP SCREW	M3x8	8.
235	BD7VS-235	HANDLE FRONT STRIPPER		2.
236	BD7VS-236	FRONT STRIPPER		2.
238	BD7VS-36	HEXAGON SOCKET SCREW DIN 912	M5x10	3.
239	BD7VS-239	FASTENING GIB FRONT LATHE SADDLE		1.
241	BD7VS-241	SPINDLE NUT COMPOUND SLIDE		1.
242	BD7VS-242	SPINDLE COMPOUND SLIDE		1.
243	BD7VS-243	LEVER COMPOUND SLIDE		1.
244	BD7VS-244	GUIDE DISK GRADUATED COLLAR		1.
245	BD7VS-245	GRADUATED COLLAR COMPOUND SLIDE		1.
246	BD7VS-37	HEXAGON SOCKET HEAD CAP SCREW DIN 912 ...M6x50		2.
247	BD7VS-247	BEARING BLOCK SPIN-DLE COMPOUND SLIDE		1.
248	BD7VS-248	CLAMPING PLATE LATHE SLIDE		1.
249	BD7VS-38	HEXAGON SOCKET SCREW DIN 912	M8x25	1.
250	BD7VS-250	FIXING GIB REAR LATHE SLIDE		1.
251	BD7VS-251	REAR STRIPPER		2.
252	BD7VS-252	HANDLE REARD STRIPPER		2.
254	BD7VS-254	COMPOUND SLIDE		1.
255	BD7VS-255	DOVETAIL GUIDE COM-POUND SLIDE		1.

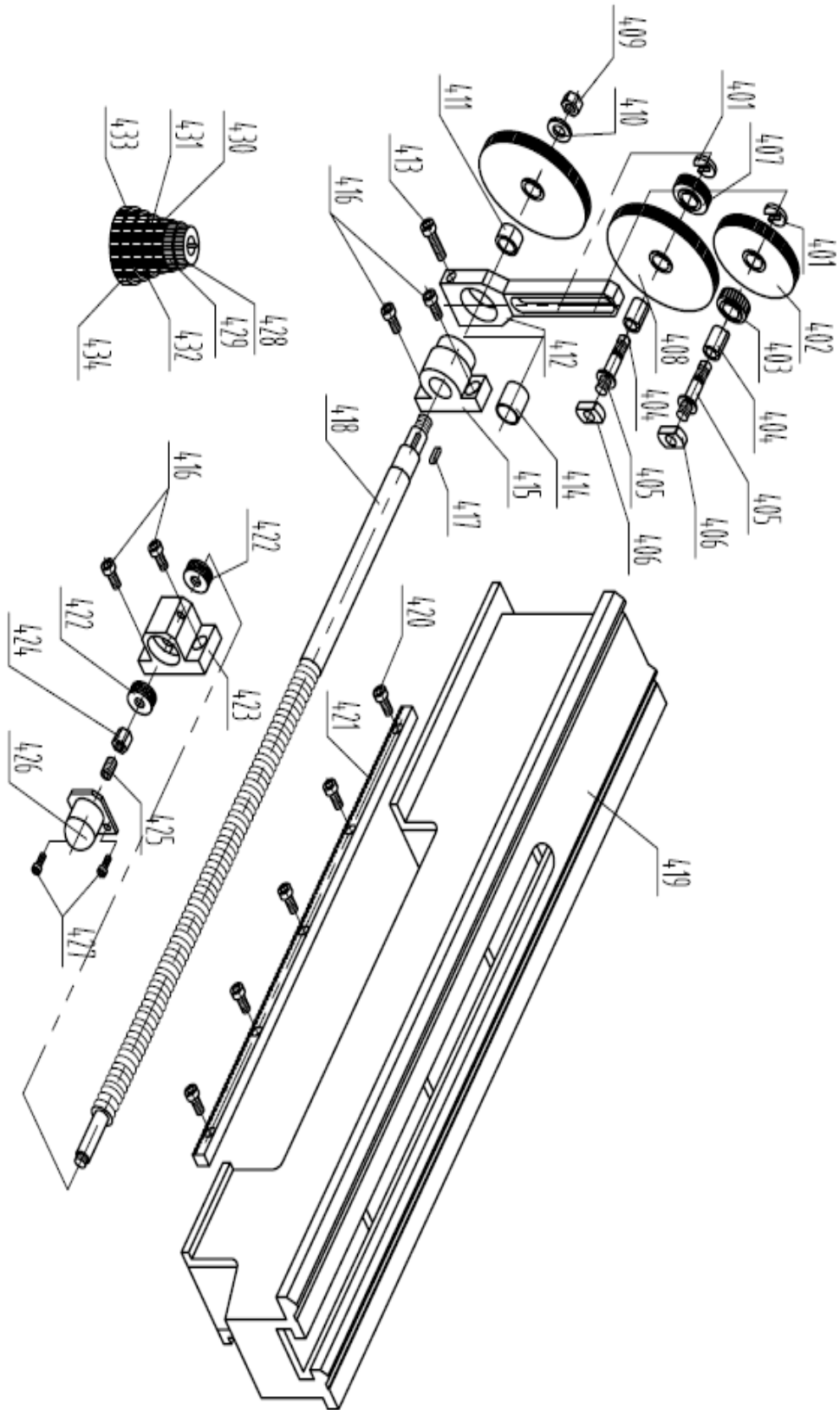
BD-7VS Assembly Breakdown -3



BD-7VS Parts List for Breakdown -3

Index No.	Part No.	Description	Size	Qty.
301	BD7VS-39	SET SCREW DIN 914	M8x8	1
302	BD7VS-302	FIXING NUT HANDWHEEL	M8, H=16mm	1
303	BD7VS-303	HANDWHEEL LATHE SLIDE		1
304	BD7VS-40	SPRING PIECE		1
305	BD7VS-41	HEXAGON SOCKET HEAD CAP SCREW DIN 912	M5x10	2
306	BD7VS-306	GRADUATED COLLAR HANDWHEEL LATHE SLIDE		1
307	BD7VS-307	TRACK BED SHAFT HANDWHEEL LATHE SLIDE		1
308	BD7VS-42	HEXAGON SOCKET HEAD CAP SCREW DIN 912	M8x25	2
309	BD7VS-43	SET SCREW DIN 914	M5x8	1
310	BD7VS-310	APRON		1
311	BD7VS-44	FEATHER KEY	DIN 6885-A3x3x8	1
312	BD7VS-312	SPLINE	Z=14, Module 1	1
313	BD7VS-313	SHAFT		1
314	BD7VS-314	GEAR SET 44/21 THEETH	Module 1	1
315	BD7VS-45	SET SCREW DIN 914	M4x35	1
316	BD7VS-46	NUT. M4	1	1
317	BD7VS-317	LEADSCREW NUT		1
318	BD7VS-47	ALIGNMENT PIN	φ4x10	2
319	BD7VS-48	HEXAGON SOCKET HEAD CAP SCREW DIN 912	M4x10	2
320	BD7VS-320	READJUSTING GIB LEAD-SCREW NUT		1
321	BD7VS-49	SET SCREW DIN 913	M6x8	1
322	BD7VS-50	SPRING	0.6x3.5x12	1
323	BD7VS-51	STEEL BALL	4.5	1
324	BD7VS-52	HEXAGON SOCKET HEAD CAP SCREW DIN 912	M4x12	4
325	BD7VS-53	NUT. M4	4	4
326	BD7VS-326	SHAFT		1
327	BD7VS-54	DOWEL PIN DIN 1481	3x30	1
328	BD7VS-328	TURNING KNOB ENGAGING LEVER		1
329	BD7VS-55	SET SCREW DIN 914	M5x6	1
330	BD7VS-330	ENGAGING LEVER		1
331	BD7VS-331	GRIP HANDWHEEL LATHE SLIDE		1

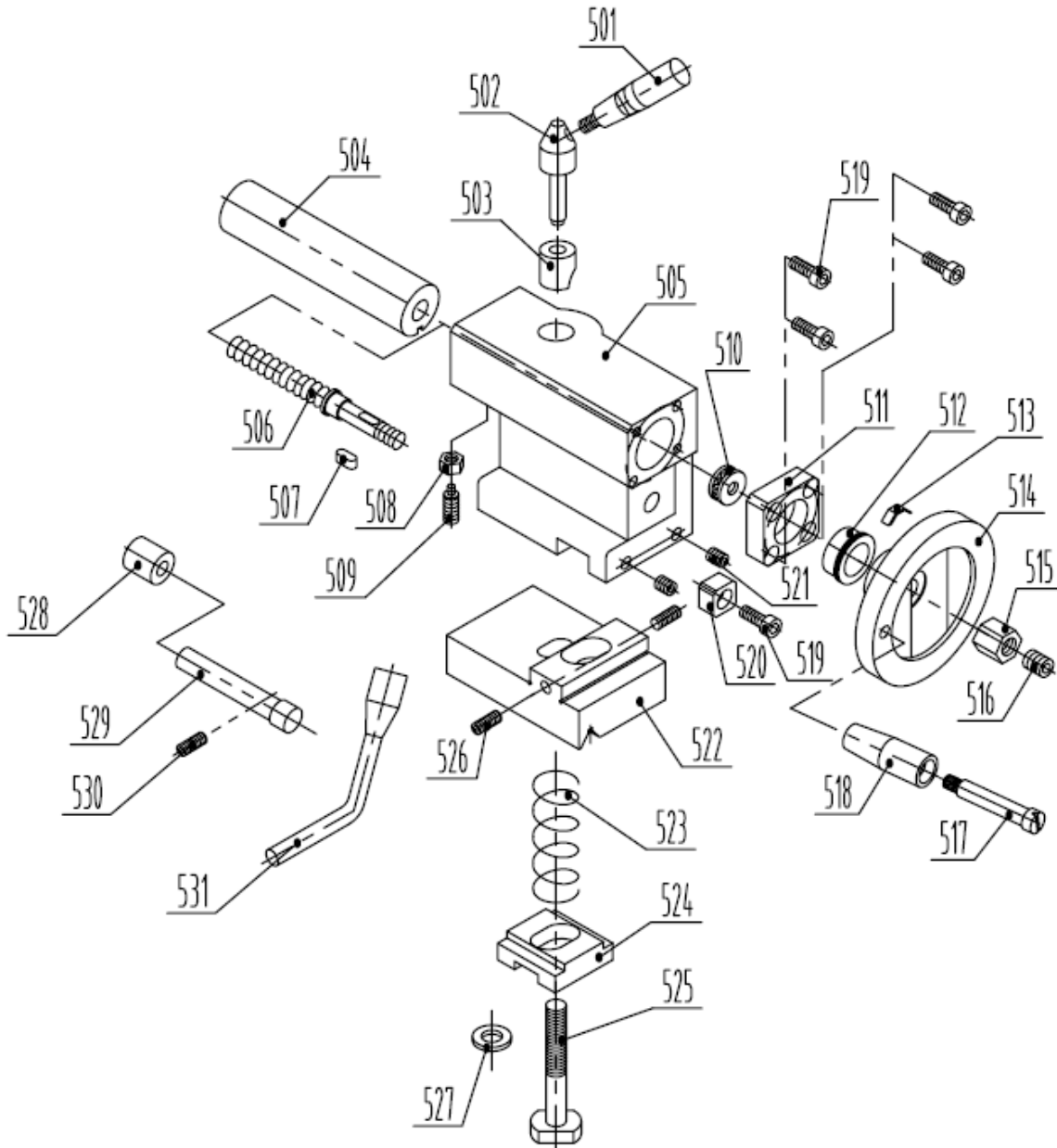
BD-7VS Assembly Breakdown -4



BD-7VS Parts List for Breakdown -4

Index No.	Part No.	Description	Size	Qty.
401	BD7VS-401	LOCKING WAHSER		2
402	BD7VS-402	TOOTHED WHEEL	Z=75	1
403	BD7VS-403	TOOTHED WHEEL	Z=30	1
404	BD7VS-404	COLLAR AXLE SHAFT		2
405	BD7VS-405	AXIE SHAFT		2
406	BD7VS-406	SLIDING BLOCK	M8	2
407	BD7VS-407	TOOLTHED WHEEL	Z=20	1
408	BD7VS-408	TOOLTHED WHEEL	Z=80	2
409	BD7VS-56	NUT. M10	1	1
410	BD7VS-57	DISK 10	1	1
411	BD7VS-411	COLLAR, SPREADER		1
412	BD7VS-412	CHNGE GEAR GIB		1
413	BD7VS-58	HEXAGON SOCKET HEAD CAP SCREW DIN 912	M6x35	1
414	BD7VS-414	SLIDE BEARING		1
415	BD7VS-415	LEFT BEARING BLOCK, LEADING SPINDLE		1
416	BD7VS-59	HEXAGON SOCKET HEAD CAP SCREW DIN 912	M6x14	4
417	BD7VS-60	FEATHER KEY	DIN 6885-A3x3x16	1
418	BD7VS-418	LEADING SPINDLE		1
419	BD7VS-419	ENGINE BED		1
420	BD7VS-61	HEXAGON SOCKET HEAD CAP SCREW DIN 912	M4x12	5
421	BD7VS-421	TOOTHED RACK		1
422	BD7VS-422	AXIAL DEEP GROOVE BALL BEARING	51100	2
423	BD7VS-423	RIGHT BEARING BLOCK, LEADING SPINDLE		1
424	BD7VS-424	FIXING NUT LEADING SPINDLE		1
425	BD7VS-62	ADJUSTING SCREW SET SCREW DIN 915	M8x6	1
426	BD7VS-426	PROTECTIVE COVER		1
427	BD7VS-63	HEXAGON SOCKET HEAD CAP SCREW DIN 912	M4x10	2
428	BD7VS-428	TOOTHED WHEEL	Z=33	1
429	BD7VS-429	TOOTHED WHEEL	Z=35	1
430	BD7VS-430	TOOTHED WHEEL	Z=40	1
431	BD7VS-431	TOOTHED WHEEL	Z=42	1
432	BD7VS-432	TOOTHED WHEEL	Z=50	1
433	BD7VS-433	TOOTHED WHEEL	Z=52	1
434	BD7VS-434	TOOTHED WHEEL	Z=60	1

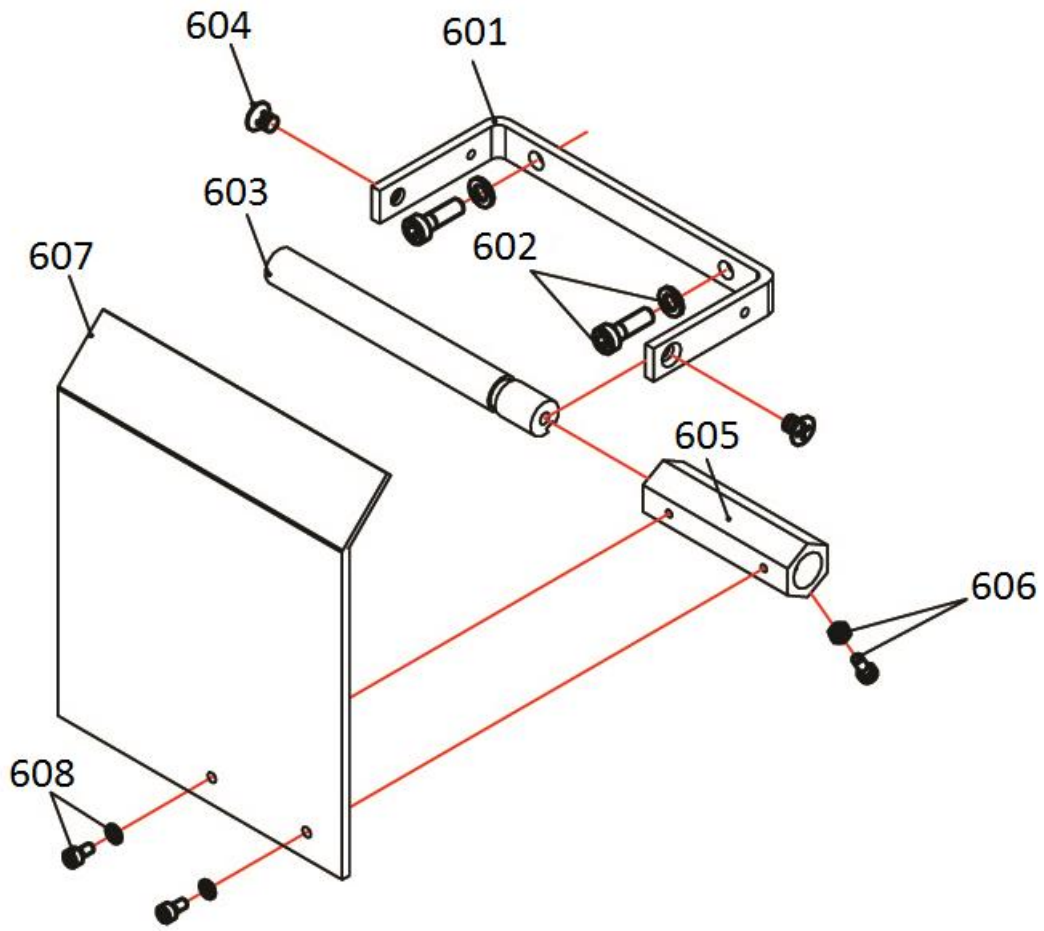
BD-7VS Assembly Breakdown -5



BD-7VS Parts List for Breakdown -5

Index No.	Part No.	Description	Size	Qty.
501	BD7VS-501	CLAMPIND LEVER TAIL-STOCK		1
502	BD7VS-502	CLAMPING LEVER TAILSTOCK SLEEVE		1
503	BD7VS-503	SPLIT TAPER SOCKET TAILSTOCK SLEEVE		1
504	BD7VS-504	TAILSTOCK SLEEVE		1
505	BD7VS-505	TAILSTOCK HOUSING		1
506	BD7VS-506	TAILSTOCK SPINDLE		1
507	BD7VS-64	FEATHER KEY	DIN 6885-A3x3x8	1
508	BD7VS-65	NUT	M6	1
509	BD7VS-66	SET SCREW DIN 915	M6x14	1
510	BD7VS-510	AXIAL DEEP GROOVE BALL BEARING	51100	1
511	BD7VS-511	BEARING BLOCK TAILSTOCK SPINDLE		1
512	BD7VS-512	GRADUATED COLLAR TAIL-STOCK		1
513	BD7VS-67	SPRING STEEL SHEET		1
514	BD7VS-514	HANDWHEEL TAILSTOCK		1
515	BD7VS-515	FIXING NUT HANDWHEEL	M8 H=16mm	1
516	BD7VS-68	SET SCREW DIN 914	M8x6	1
517	BD7VS-517	FIXING SCREW GRIP COL-LAR		1
518	BD7VS-518	GRIP COLLAR		1
519	BD7VS-69	HEXAGON SOCKET HEAD CAP SCREW DIN 912	M5x12	5
520	BD7VS-520	STOP		1
521	BD7VS-70	SET SCREW DIN 915	M6x12	2
522	BD7VS-522	TAILSTOCK BOTTOM PART		1
523	BD7VS-523	SPRING	1x12xL	1
524	BD7VS-524	CLAMPING PLATE		1
525	BD7VS-71	HEXAGON SCREW DIN 931	M10x70	1
526	BD7VS-72	SET SCREW DIN 915	M6x16	2
527	BD7VS-73	DISK		101
528	BD7VS-528	COVER		1
529	BD7VS-529	ECCENTRIC SHAFT		1
530	BD7VS-74	SET SCREW DIN 915	M5X8	1
531	BD7VS-531	LOCKING HANDLE		1

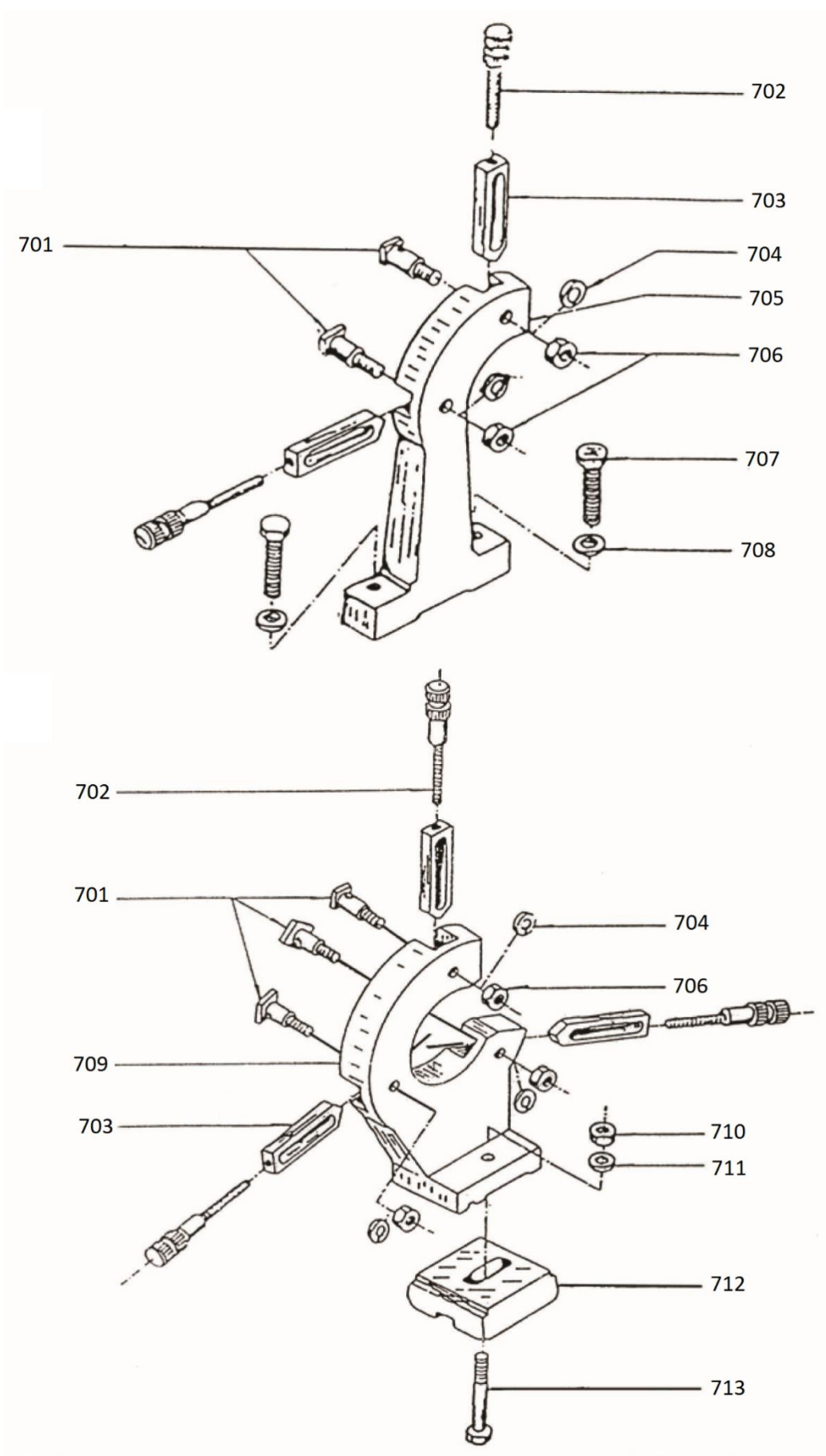
BD-7VS Assembly Breakdown -6



BD-7VS Parts List for Breakdown -6

Index No.	Part No.	Description	Size	Qty.
601	BD7VS-601	SUPPORT		1
602	GB7085-5-12	SOCKET HD SCREW	M5 × 12 mm	2
603	BD7VS-603	SHAFT		1
604	GB81985-5-6	CROSS RECESSED FLAT HD SCREW	M5 × 6 mm	2
605	BD7VS-605	HEX SLEEVE		1
606	GB7085-3-8	SOCKET HD SCREW	M3 × 8 mm	1
607	BD7VS-607	CHIP SHIELD		1
608	GB7085-3-6	SOCKET HD SCREW	M3 × 6 mm	2

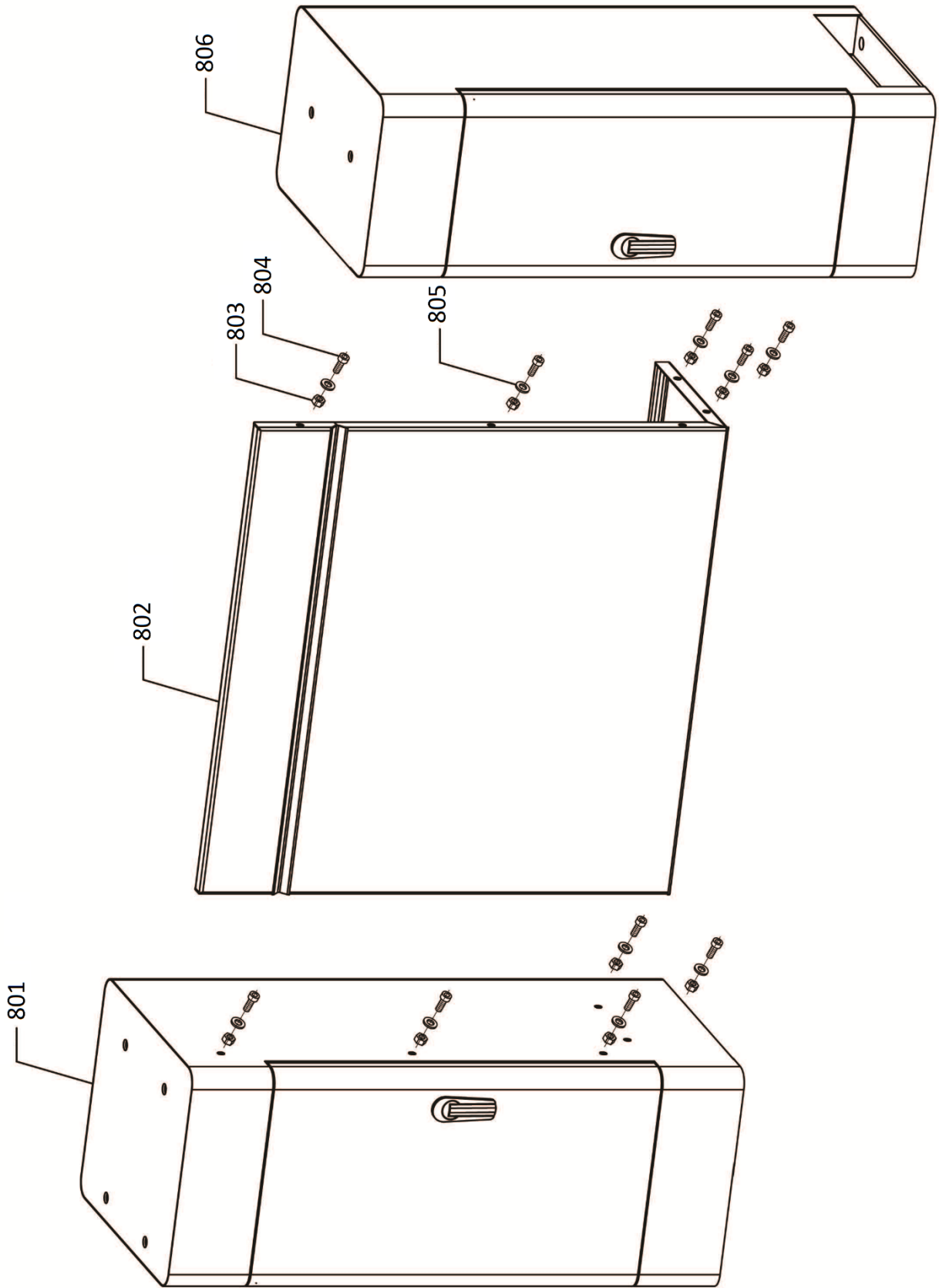
BD-7VS Assembly Breakdown -7



BD-7VS Parts List for Breakdown -7

Index No.	Part No.	Description	Size	Qty.
701	BD7VS-701	SCREW		5
702	BD7VS-702	TIGHTENING SCREW		5
703	BD7VS-703	SLIDE JAW		5
704	GB9387-5	SPRING WASHER (STD)	8	5
705	BD7VS-705	FOLLOW REST		1
706	GB617086-8	HEX NUT	M8	5
707	GB578186-8-20	HEX HD SCREW	M8 x 20 mm	2
708	GB97185-8	WASHER	8	2
709	BD7VS-709	STEADY REST		1
710	GB617086-10	HEX NUT	M10	1
711	GB97185-10	WASHER	10	1
712	BD7VS-712	CLAMPING PLATE		1
713	GB578186-10-45	HEX HD SCREW	M10 x 45 mm	1
	BD7VS-714	FOLLOW REST KIT		1
	BD7VS-715	STEADY REST KIT		1

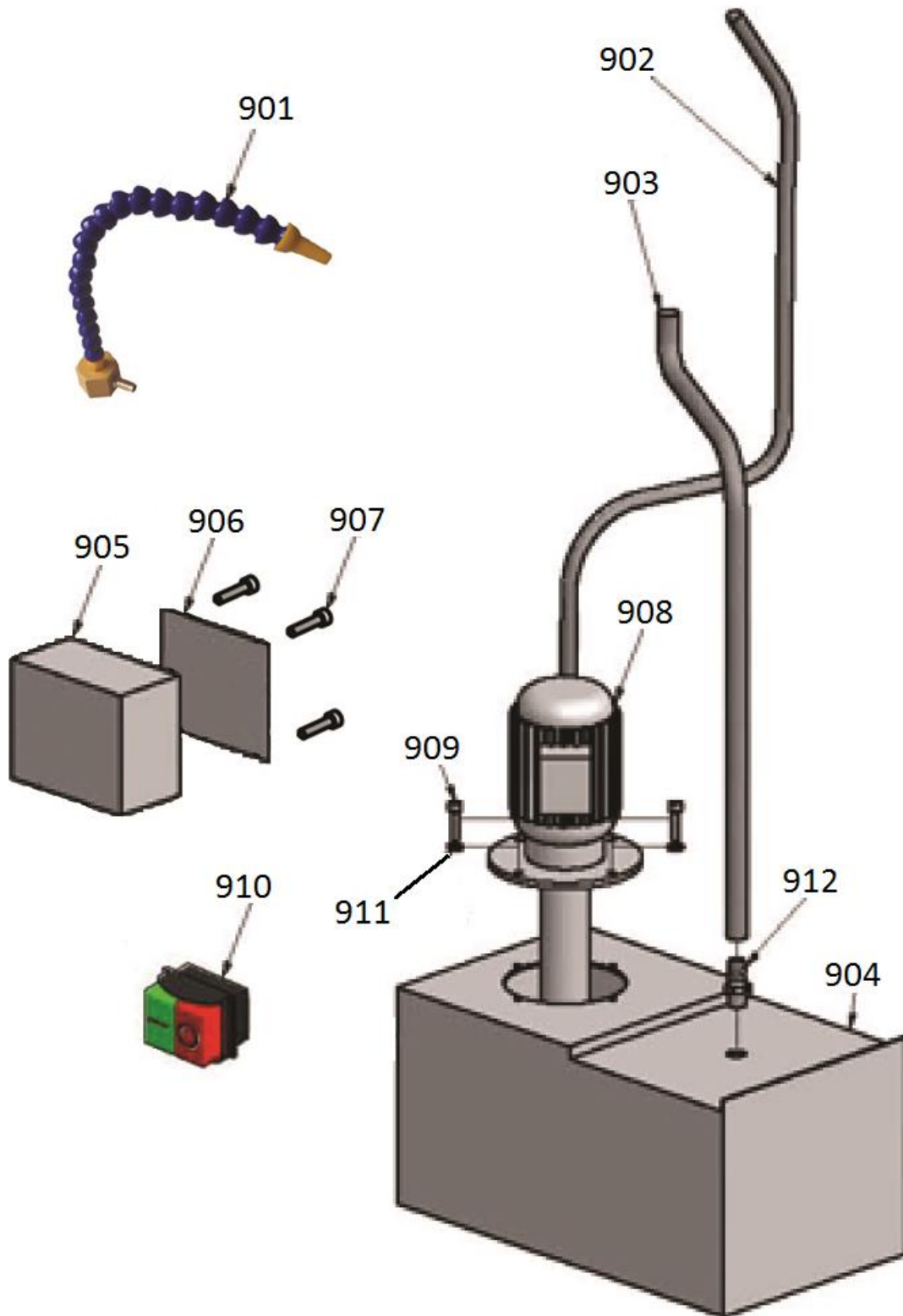
BD-7VS Assembly Breakdown -8



BD-7VS Parts List for Breakdown -8

Index No.	Part No.	Description	Size	Qty.
801	BD7VS-801	LEFT STAND		1
802	BD7VS-802	CONNECTING PLATE		1
803	GB617086-8	HEX NUT	M8	10
804	GB7085-8-16	SOCKET HD SCREW	M8 x 16 mm	10
805	GB97185-8	WASHER	8	10
806	BD7VS-806	RIGHT STAND		1
	BD7VS-807	STAND KIT		1

BD-7VS Assembly Breakdown -9



BD-7VS Parts List for Breakdown -9

Index No.	Part No.	Description	Size	Qty.
901	BD7VS-901	NOZZLE		1
902	BD7VS-902	OUTLET PIPE		1
903	BD7VS-903	RETURNING PIPE		1
904	BD7VS-904	WATER TANK		1
905	BD7VS-905	ELECTRICAL BOX		1
906	BD7VS-906	ELECTRICAL BOX COVER		1
907	GB7085-5-30	SOCKET HD SCREW	M5 x 30 mm	4
908	BD7VS-908	COOLANT PUMP		1
909	GB7085-5-12	SOCKET HD SCREW	M5 x 12 mm	4
910	BD7VS-910	SWITCH	KJD17B	1
911	GB97185-5	WASHER	5	4
912	BD7VS-912	HOSE CLIP		1
	59500112	COOLANT PUMP KIT		1

16.0 Wiring Diagrams

BD-7VS1~230V, PE, 50Hz

