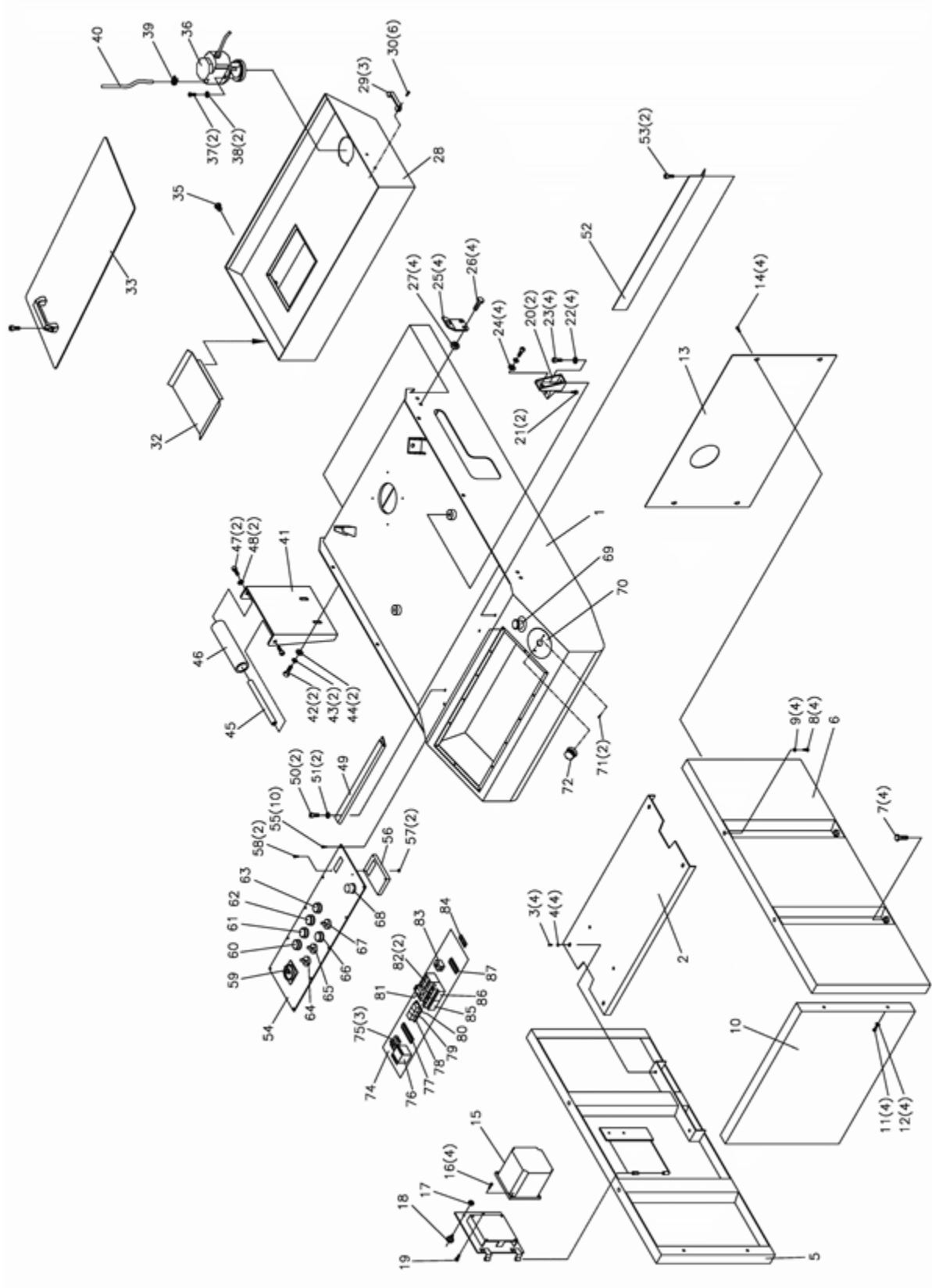


Взрыв-схема станины ленточнопильного станка ЕНВ-270DGSVIP



Перечень деталей станины ленточнопильного станка EHB-270DGSVIP

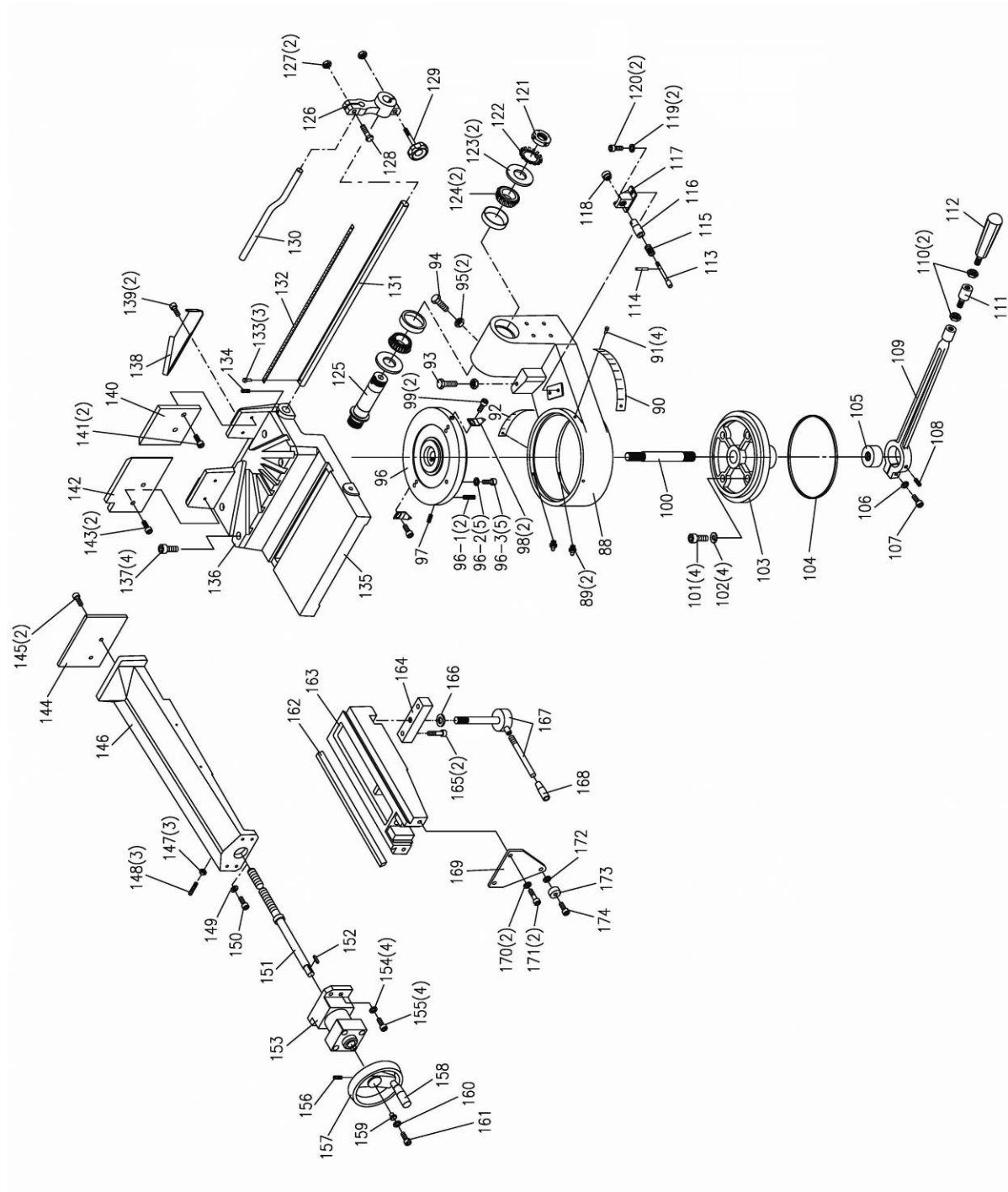
№	Артикул	Описание	Размер	Кол-во
1.....	EHB-270DGSVIP-1.....	Saw Frame Stand.....		1
2.....	EHB-270DGSVIP-2.....	Base (Bottom Plate).....		1
3.....	EHB-270DGSVIP-3.....	Hex. Cap Bolt.....	M8x16.....	4
4.....	EHB-270DGSVIP-4.....	Washer.....	8x18x2.....	4
5.....	EHB-270DGSVIP-5.....	Base (Left Part).....		1
6.....	EHB-270DGSVIP-6.....	Base (Right Part).....		1
7.....	EHB-270DGSVIP-7.....	Hex. Cap Bolt.....	M12x40.....	4
8.....	EHB-270DGSVIP-8.....	Hex. Cap Bolt.....	M10x25.....	4
9.....	EHB-270DGSVIP-9.....	Washer.....	10x25x2.....	4
10.....	EHB-270DGSVIP-10.....	Base (Front Part).....		1
11.....	EHB-270DGSVIP-11.....	Hex. Cap Bolt.....	M8x16.....	4
12.....	EHB-270DGSVIP-12.....	Washer.....	8x18x2.....	4
13.....	EHB-270DGSVIP-13.....	Base (Rear Part).....		1
14.....	EHB-270DGSVIP-14.....	Hex. Socket Cap Screw.....	M6x8.....	4
15.....	EHB-270DGSVIP-15.....	Inverter.....	2Hp 3Ph 400V.....	1
16.....	EHB-270DGSVIP-16.....	Hex. Socket Cap Screw.....	M5x15.....	4
17.....	EHB-270DGSVIP-17.....	Nut.....	M6.....	1
18.....	EHB-270DGSVIP-18.....	Thumb Screw.....	M6x10.....	1
19.....	EHB-270DGSVIP-19.....	Hex. Socket Cap Screw.....	M6x8.....	1
20.....	EHB-270DGSVIP-20.....	Mounting Bracket.....		2
21.....	EHB-270DGSVIP-21.....	Hex. Socket Cap Screw.....	M8x16.....	2
22.....	EHB-270DGSVIP-22.....	Spring Washer.....	M10.....	4
23.....	EHB-270DGSVIP-23.....	Hex. Socket Cap Screw.....	M10x20.....	4
24.....	EHB-270DGSVIP-24.....	Washer.....	10x25x2.....	4
25.....	EHB-270DGSVIP-25.....	Plate.....		4
26.....	EHB-270DGSVIP-26.....	Hex. Cap Bolt.....	M10x20.....	4
27.....	EHB-270DGSVIP-27.....	Nut.....	M10.....	4
28.....	EHB-270DGSVIP-28.....	Coolant Tank.....		1

29.....	EHB-270DGSVIP-29.....	Handle.....	HPU-120AL.....	3
30.....	EHB-270DGSVIP-30.....	Hex. Socket Cap Screw.....	M8x10.....	6
32.....	EHB-270DGSVIP-32.....	Coolant Plate.....		1
33.....	EHB-270DGSVIP-33.....	Coolant Cover.....		1
35.....	EHB-270DGSVIP-35.....	Plug.....	M3/8”.....	1
36.....	EHB-270DGSVIP-36.....	Pump.....	50W 400V 1 Ph.....	1
37.....	EHB-270DGSVIP-37.....	Hex. Socket Cap Screw.....	M6x25.....	2
38.....	EHB-270DGSVIP-38.....	Washer.....	6x13x1.....	2
39.....	EHB-270DGSVIP-39.....	Hose Clamp.....	13mm.....	1
40.....	EHB-270DGSVIP-40.....	Hose.....	5/16x254cm.....	1
41.....	EHB-270DGSVIP-41.....	Roller Stand.....		1
42.....	EHB-270DGSVIP-42.....	Hex. Cap Bolt.....	M12x25.....	2
43.....	EHB-270DGSVIP-43.....	Spring Washer.....	M12.....	2
44.....	EHB-270DGSVIP-44.....	Washer.....	12x28x3.....	2
45.....	EHB-270DGSVIP-45.....	Roller Shaft.....	1/2”x269.....	1
46.....	EHB-270DGSVIP-46.....	Roller.....	50.8x268.....	1
47.....	EHB-270DGSVIP-47.....	Hex. Socket Cap Screw.....	M8x20.....	2
48.....	EHB-270DGSVIP-48.....	Spring Washer.....	M8.....	2
49.....	EHB-270DGSVIP-49.....	Support Plate.....		1
50.....	EHB-270DGSVIP-50.....	Hex. Socket Cap Screw.....	M8x16.....	2
51.....	EHB-270DGSVIP-51.....	Spring Washer.....	M8.....	2
52.....	EHB-270DGSVIP-52.....	Water Proof Plate.....		1
53.....	EHB-270DGSVIP-53.....	Button Head Socket Screw.....	M6x8.....	2
54.....	EHB-270DGSVIP-54.....	Control Panel.....		1
55.....	EHB-270DGSVIP-55.....	Button Head Socket Screw.....	M5x8.....	10
56.....	EHB-270DGSVIP-56.....	Blade Speed Indicator.....		1
57.....	EHB-270DGSVIP-57.....	Nut.....	M3.....	2
58.....	EHB-270DGSVIP-58.....	Round Head Screw.....	M3x20.....	2
59.....	EHB-270DGSVIP-59.....	Main Power Switch.....		1
60.....	EHB-270DGSVIP-60.....	Power Indicator Light.....		1
61.....	EHB-270DGSVIP-61.....	Hydraulic Start Switch.....		1
62.....	EHB-270DGSVIP-62.....	Blade Running Switch.....		1
63.....	EHB-270DGSVIP-63.....	Cycle Start Button.....		1

64.....	EHB-270DGSVIP-64.....	Saw Bow up/down Switch.....	1
65.....	EHB-270DGSVIP-65.....	Vise open/close Switch.....	1
66.....	EHB-270DGSVIP-66.....	Stop Button.....	1
67.....	EHB-270DGSVIP-67.....	Operation Mode Switch.....	1
68.....	EHB-270DGSVIP-68.....	Blade Speed Control Knob.....	1
69.....	EHB-270DGSVIP-69.....	Emergency Stop Button.....	1
70.....	EHB-270DGSVIP-70.....	Flow Control Plate.....	1
71.....	EHB-270DGSVIP-71.....	Round Head Screw.....	M5x10.....2
72.....	EHB-270DGSVIP-72.....	Cutting Feed Knob.....	1
74.....	EHB-270DGSVIP-74.....	Bottom Plate.....	1
75.....	EHB-270DGSVIP-75.....	Fuses.....	1Ax2 / 5Ax1.....3
76.....	EHB-270DGSVIP-76.....	Transformer.....	1
77.....	EHB-270DGSVIP-77.....	Terminal Connector.....	1
78.....	EHB-270DGSVIP-78.....	Relay.....	KA1.....1
79.....	EHB-270DGSVIP-79.....	Relay.....	KA2.....1
80.....	EHB-270DGSVIP-80.....	Relay.....	KA3.....1
81.....	EHB-270DGSVIP-81.....	Sub-Connector.....	1
82.....	EHB-270DGSVIP-82.....	Contactora.....	C-12D.....2
83.....	EHB-270DGSVIP-83.....	Time-limit Relay.....	AC24/6S.....1
84.....	EHB-270DGSVIP-84.....	Grounding Plate.....	1
85.....	EHB-270DGSVIP-85.....	Hydraulic Overload Relay.....	1
86.....	EHB-270DGSVIP-86.....	Coolant Overload Relay.....	1
87.....	EHB-270DGSVIP-87.....	Terminal Connector.....	1

Взрыв-схема поворотного механизма и основания

ленточнопильного станка ЕНВ-270DGSVIP



Перечень деталей поворотного механизма и основания

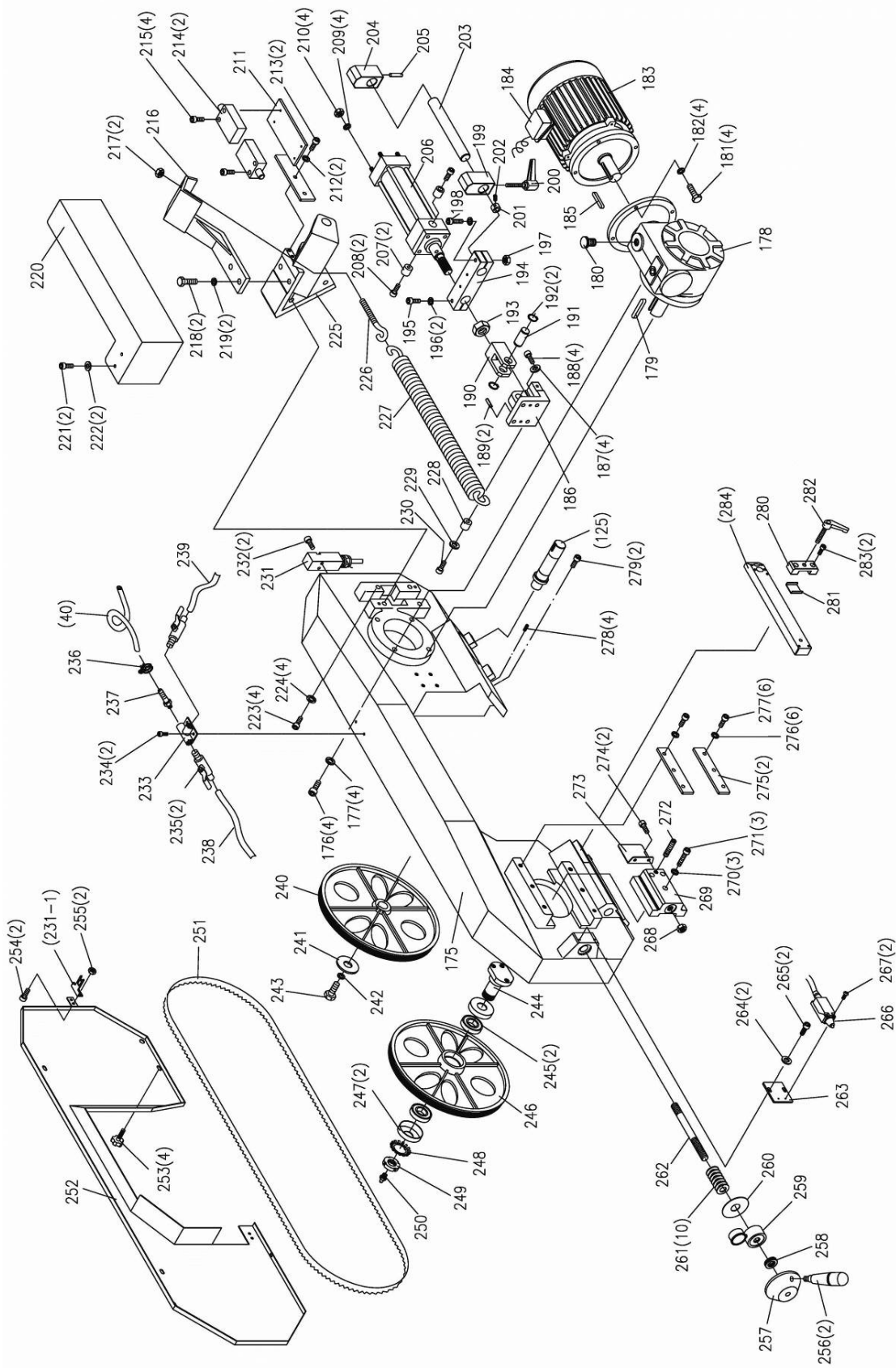
ленточнопильного станка EHB-270DGSVIP

№	Артикул	Описание	Размер	Кол-во
88.....	EHB-270DGSVIP-88.....	Swivel Arm.....		1
89.....	EHB-270DGSVIP-89.....	Oil Inlet.....	1/16.....	2
90.....	EHB-270DGSVIP-90.....	Scale.....	60°.....	1
91.....	EHB-270DGSVIP-91.....	Rivet.....	2.3x4.....	4
92.....	EHB-270DGSVIP-92.....	Scale.....	45°.....	1
93.....	EHB-270DGSVIP-93.....	Hex. Cap Bolt.....	M10x35.....	1
94.....	EHB-270DGSVIP-94.....	Hex. Cap Bolt.....	M10x45.....	1
95.....	EHB-270DGSVIP-95.....	Nut.....	M10.....	2
96.....	EHB-270DGSVIP-96.....	Cover.....		1
96-1.....	EHB-270DGSVIP-96-1.....	Hollow Pin.....	Ø6x20.....	2
96-2.....	EHB-270DGSVIP-96-2.....	Spring Washer.....	M8.....	5
96-3.....	EHB-270DGSVIP-96-3.....	Hex. Socket Cap Screw.....	M8x35.....	5
97.....	EHB-270DGSVIP-97.....	Set Screw.....	M8x10.....	1
98.....	EHB-270DGSVIP-98.....	Pointer.....		2
99.....	EHB-270DGSVIP-99.....	Hex. Socket Cap Screw.....	M5x8.....	2
100.....	EHB-270DGSVIP-100.....	Shaft.....		1
101.....	EHB-270DGSVIP-101.....	Hex. Socket Cap Screw.....	M8x35.....	4
102.....	EHB-270DGSVIP-102.....	Spring Washer.....	M8.....	4
103.....	EHB-270DGSVIP-103.....	Disk.....		1
104.....	EHB-270DGSVIP-104.....	Oil Seal.....	4mmx675L.....	1
105.....	EHB-270DGSVIP-105.....	Shaft Nut.....		1
106.....	EHB-270DGSVIP-106.....	Spring Washer.....	M10.....	1
107.....	EHB-270DGSVIP-107.....	Hex. Socket Cap Screw.....	M10x35.....	1
108.....	EHB-270DGSVIP-108.....	Set Screw.....	M10x16.....	1
109.....	EHB-270DGSVIP-109.....	Locking Lever.....		1
110.....	EHB-270DGSVIP-110.....	Nut.....	M12.....	2
111.....	EHB-270DGSVIP-111.....	Connecting Rod.....		1
112.....	EHB-270DGSVIP-112.....	Handle.....	M12.....	1

113.....	EHB-270DGSVIP-113.....	Pin.....	1	
114.....	EHB-270DGSVIP-114.....	Hollow Pin.....	∅2.5x16.....	1
115.....	EHB-270DGSVIP-115.....	Spring.....	0.8x9x30mm.....	1
116.....	EHB-270DGSVIP-116.....	Bushing.....	1	
117.....	EHB-270DGSVIP-117.....	Bracket.....	1	
118.....	EHB-270DGSVIP-118.....	Knob.....	1	
119.....	EHB-270DGSVIP-119.....	Spring Washer.....	M8.....	2
120.....	EHB-270DGSVIP-120.....	Hex. Socket Cap Screw.....	M8x25.....	2
121.....	EHB-270DGSVIP-121.....	Jam Nut.....	M40.....	1
122.....	EHB-270DGSVIP-122.....	Star Washer.....	M40.....	1
123.....	EHB-270DGSVIP-123.....	Anti-Dust Cover.....	#40.....	2
124.....	EHB-270DGSVIP-124.....	Ball Bearing.....	32008.....	2
125.....	EHB-270DGSVIP-125.....	Shaft.....	1	
126.....	EHB-270DGSVIP-126.....	Bar Bracket.....	1	
127.....	EHB-270DGSVIP-127.....	Nut.....	M8.....	2
128.....	EHB-270DGSVIP-128.....	Hex. Socket Cap Screw.....	M8x25.....	1
129.....	EHB-270DGSVIP-129.....	Knob.....	M8x30.....	1
130.....	EHB-270DGSVIP-130.....	Stop Bar.....	1	
131.....	EHB-270DGSVIP-131.....	Bar-Stop-Rod.....	1	
132.....	EHB-270DGSVIP-132.....	Scale.....	1	
133.....	EHB-270DGSVIP-133.....	Rivet.....	2x5.....	3
134.....	EHB-270DGSVIP-134.....	Set Screw.....	M6x12.....	1
135.....	EHB-270DGSVIP-135.....	Table	1	
136.....	EHB-270DGSVIP-136.....	Changeable Plate.....	1	
137.....	EHB-270DGSVIP-137.....	Hex. Socket Cap Screw.....	M8x16.....	4
138.....	EHB-270DGSVIP-138.....	Chip Gutter.....	1	
139.....	EHB-270DGSVIP-139.....	Hex. Socket Cap Screw.....	M6x8.....	2
140.....	EHB-270DGSVIP-140.....	Vise Jaw - Right.....	1	
141.....	EHB-270DGSVIP-141.....	Hex. Socket Cap Screw.....	M6x15.....	2
142.....	EHB-270DGSVIP-142.....	Vise Jaw - Left.....	1	
143.....	EHB-270DGSVIP-143.....	Hex. Socket Cap Screw.....	M6x15.....	2
144.....	EHB-270DGSVIP-144.....	Vise Jaw - Front.....	1	
145.....	EHB-270DGSVIP-145.....	Flat Head Machine Screw.....	M6x16.....	2

146.....	EHB-270DGSVIP-146.....	Movable Vise.....	1
147.....	EHB-270DGSVIP-147.....	Nut..... M5.....	3
148.....	EHB-270DGSVIP-148.....	Set Screw..... M5x25.....	3
149.....	EHB-270DGSVIP-149.....	Hex. Socket Cap Screw..... M8x16.....	1
150.....	EHB-270DGSVIP-150.....	Washer..... 8x23x2.....	1
151.....	EHB-270DGSVIP-151.....	Lead Screw.....	1
152.....	EHB-270DGSVIP-152.....	Key..... 5x5x15.....	1
153.....	EHB-270DGSVIP-153.....	Hydraulic Cylinder (Vise).....	1
154.....	EHB-270DGSVIP-154.....	Spring Washer..... M8.....	4
155.....	EHB-270DGSVIP-155.....	Hex. Socket Cap Screw..... M8x25.....	4
156.....	EHB-270DGSVIP-156.....	Set Screw..... M8x10.....	1
157.....	EHB-270DGSVIP-157.....	Hand Wheel.....	1
158.....	EHB-270DGSVIP-158.....	Handle..... M10x70.....	1
159.....	EHB-270DGSVIP-159.....	Bushing.....	1
160.....	EHB-270DGSVIP-160.....	Spring Washer..... M6.....	1
161.....	EHB-270DGSVIP-161.....	Hex. Socket Cap Screw..... M6x25.....	1
162.....	EHB-270DGSVIP-162.....	Dovetail Plate.....	1
163.....	EHB-270DGSVIP-163.....	Vise Seat.....	1
164.....	EHB-270DGSVIP-164.....	Vise Setting Plate.....	1
165.....	EHB-270DGSVIP-165.....	Hex. Socket Cap Screw..... M10x30.....	2
166.....	EHB-270DGSVIP-166.....	Washer..... 3/4x37x3.....	1
167.....	EHB-270DGSVIP-167.....	Lock Lever Device..... M16x190.....	1
168.....	EHB-270DGSVIP-168.....	Handle..... 1/2".....	1
169.....	EHB-270DGSVIP-169.....	Setting Plate.....	1
170.....	EHB-270DGSVIP-170.....	Spring Washer..... M8.....	2
171.....	EHB-270DGSVIP-171.....	Hex. Socket Cap Screw..... M8x20.....	2
172.....	EHB-270DGSVIP-172.....	Spring Washer..... M8.....	1
173.....	EHB-270DGSVIP-173.....	Ball Bearing..... 608ZZ.....	1
174.....	EHB-270DGSVIP-174.....	Hex. Socket Cap Screw..... M8x25.....	1

Взрыв-схема пыльной рамы ленточнопильного станка ЕНВ-270DGSVIP



Перечень деталей пильной рамы

ленточнопильного станка ЕНВ-

270DGSVIP

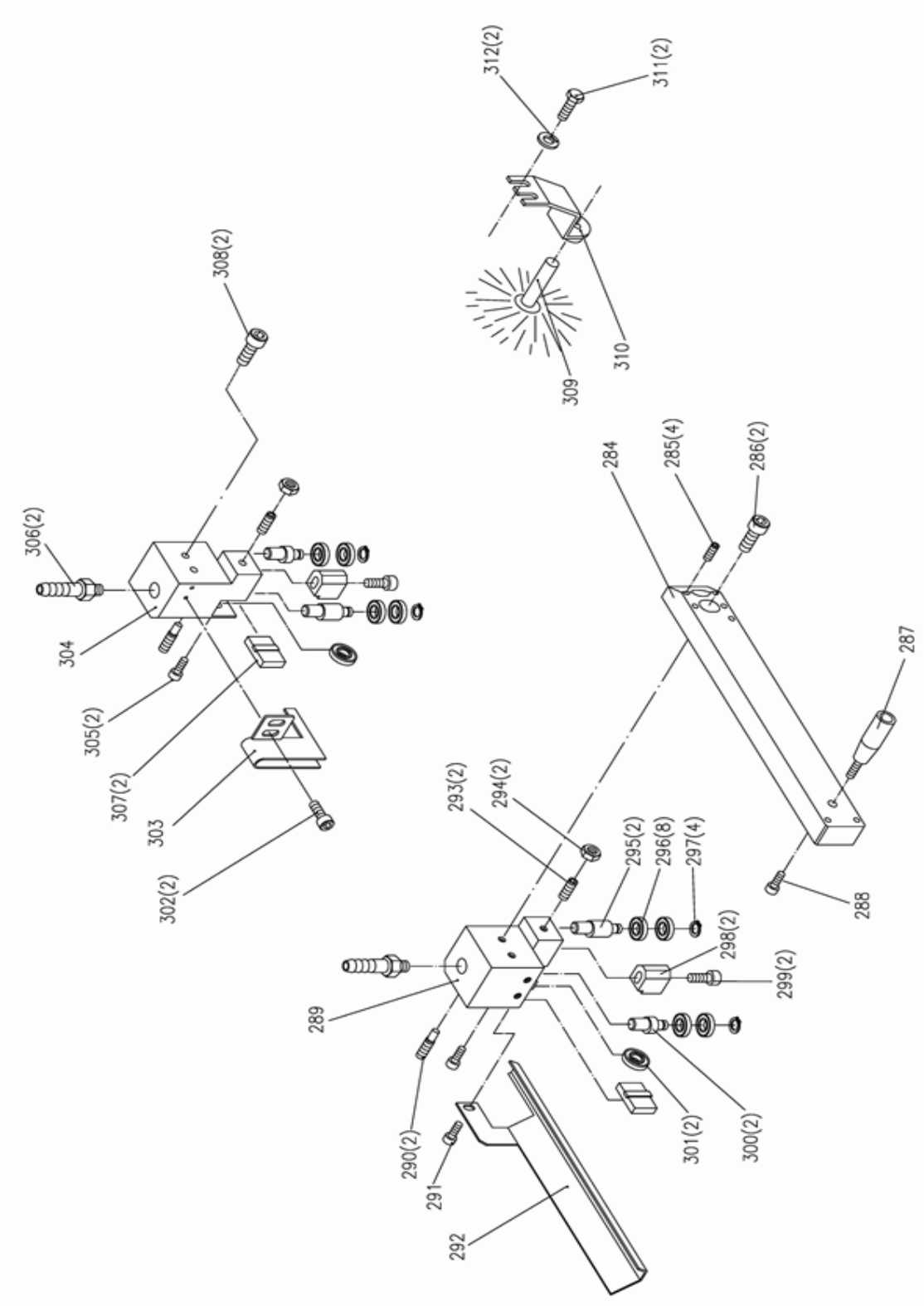
№	Артикул	Описание	Размер	Кол-во
175.....	EHB-270DGSVIP-175.....	Saw Arm.....		1
176.....	EHB-270DGSVIP-176.....	Hex. Socket Cap Screw.....	M10x35.....	4
177.....	EHB-270DGSVIP-177.....	Spring Washer.....	M10.....	4
178.....	EHB-270DGSVIP-178.....	Reduction Unit.....		1
179.....	EHB-270DGSVIP-179.....	Key.....	.8x7x30.....	1
180.....	EHB-270DGSVIP-180.....	Vent Screw.....		1
181.....	EHB-270DGSVIP-181.....	Hex. Cap Bolt.....	M8x25.....	4
182.....	EHB-270DGSVIP-182.....	Spring Washer.....	M8.....	4
183.....	EHB-270DGSVIP-183.....	Main Motor.....	1.5Kw 400V 3 Ph.....	1
184.....	EHB-270DGSVIP-184.....	Junction Box.....		1
185.....	EHB-270DGSVIP-185.....	Key.....	.8x7x40.....	1
186.....	EHB-270DGSVIP-186.....	Anchoring Dowel.....		1
187.....	EHB-270DGSVIP-187.....	Spring Washer.....	M8.....	4
188.....	EHB-270DGSVIP-188.....	Hex. Socket Cap Screw.....	M8x25.....	4
189.....	EHB-270DGSVIP-189.....	Hollow Pin.....	∅6x20.....	2
190.....	EHB-270DGSVIP-190.....	Coupling Fork.....		1
191.....	EHB-270DGSVIP-191.....	Pin on Fork.....		1
192.....	EHB-270DGSVIP-192.....	C-Ring.....	S-20.....	2
193.....	EHB-270DGSVIP-193.....	Nut.....	M20.....	1
194.....	EHB-270DGSVIP-194.....	Rod Supporting Block.....		1
195.....	EHB-270DGSVIP-195.....	Hex. Socket Cap Screw.....	M10x35.....	1
196.....	EHB-270DGSVIP-196.....	Spring Washer.....	M10.....	2

197.....	EHB-270DGSVIP-197.....	Nut.....	M10.....	1
198.....	EHB-270DGSVIP-198.....	Hex. Socket Cap Screw.....	M10x40.....	1
199.....	EHB-270DGSVIP-199.....	Adjustable Stop.....		1
200.....	EHB-270DGSVIP-200.....	Handle.....	M8x25.....	1
201.....	EHB-270DGSVIP-201.....	Bush.....		1
202.....	EHB-270DGSVIP-202.....	Set Screw.....	M6x6.....	1
203.....	EHB-270DGSVIP-203.....	Stop Bar.....		1
204.....	EHB-270DGSVIP-204.....	Adjustable Stop.....		1
205.....	EHB-270DGSVIP-205.....	Set Screw.....	M8x10.....	1
206.....	EHB-270DGSVIP-206.....	Hydraulic Cylinder (Arm).....		1
207.....	EHB-270DGSVIP-207.....	Bushing.....		2
208.....	EHB-270DGSVIP-208.....	Hex. Socket Cap Screw.....	M12x20.....	2
209.....	EHB-270DGSVIP-209.....	Spring Washer.....	M8.....	4
210.....	EHB-270DGSVIP-210.....	Nut.....	M8.....	4
211.....	EHB-270DGSVIP-211.....	Limit Switch Plate.....		1
212.....	EHB-270DGSVIP-212.....	Spring Washer.....	M6.....	2
213.....	EHB-270DGSVIP-213.....	Hex. Socket Cap Screw.....	M6x12.....	2
214.....	EHB-270DGSVIP-214.....	Limit Switch.....		2
215.....	EHB-270DGSVIP-215.....	Hex. Socket Cap Screw.....	M5x30.....	4
216.....	EHB-270DGSVIP-216.....	Spring Holder.....		1
217.....	EHB-270DGSVIP-217.....	Nut.....	3/8.....	2
218.....	EHB-270DGSVIP-218.....	Hex. Cap Bolt.....	M12x25.....	2
219.....	EHB-270DGSVIP-219.....	Spring Washer.....	M12.....	2
220.....	EHB-270DGSVIP-220.....	Cylinder Guard.....		1
221.....	EHB-270DGSVIP-221.....	Hex. Socket Cap Screw.....	M6x16.....	2
222.....	EHB-270DGSVIP-222.....	Washer.....	6x13x1.....	2
223.....	EHB-270DGSVIP-223.....	Hex. Socket Cap Screw.....	M10x35.....	4
224.....	EHB-270DGSVIP-224.....	Spring Washer.....	M10.....	4
225.....	EHB-270DGSVIP-225.....	Cylinder Coupling.....		1
226.....	EHB-270DGSVIP-226.....	Spring Hook.....	3/8".....	1
227.....	EHB-270DGSVIP-227.....	Spring.....		1
228.....	EHB-270DGSVIP-228.....	Setting Bushing.....		1
229.....	EHB-270DGSVIP-229.....	Spring Washer.....	M8.....	1

230.....	EHB-270DGSVIP-230.....	Hex. Socket Cap Screw.....	M8x35.....	1
231.....	EHB-270DGSVIP-231.....	Limit Switch.....		1
231-1.....	EHB-270DGSVIP-231-1.....	Switch Pin.....		1
232.....	EHB-270DGSVIP-232.....	Hex. Socket Cap Screw.....	M4x30.....	2
233.....	EHB-270DGSVIP-233.....	T Connector.....		1
234.....	EHB-270DGSVIP-234.....	Hex. Socket Cap Screw.....	M5x16.....	2
235.....	EHB-270DGSVIP-235.....	Coolant Switch.....		2
236.....	EHB-270DGSVIP-236.....	Hose Clamp.....	13mm.....	1
237.....	EHB-270DGSVIP-237.....	Pipe Fitting.....	1/4Px5/16.....	1
238.....	EHB-270DGSVIP-238.....	Hose.....	5/16"x120cm.....	1
239.....	EHB-270DGSVIP-239.....	Hose.....	5/16"x50cm.....	1
240.....	EHB-270DGSVIP-240.....	Drive Flywheel.....		1
241.....	EHB-270DGSVIP-241.....	Washer.....		1
242.....	EHB-270DGSVIP-242.....	Spring Washer.....	M10.....	1
243.....	EHB-270DGSVIP-243.....	Hex. Cap Bolt.....	M10x25.....	1
244.....	EHB-270DGSVIP-244.....	Idle Flywheel Shaft.....		1
245.....	EHB-270DGSVIP-245.....	Roller Bearing.....	32007#.....	2
246.....	EHB-270DGSVIP-246.....	Idle Flywheel.....		1
247.....	EHB-270DGSVIP-247.....	Anti-dust Cover.....	35mm.....	2
248.....	EHB-270DGSVIP-248.....	Star Washer.....	M35.....	1
249.....	EHB-270DGSVIP-249.....	Jam Nut.....	M35.....	1
250.....	EHB-270DGSVIP-250.....	Oil Inlet.....	1/16.....	1
251.....	EHB-270DGSVIP-251.....	Saw Blade.....	27x0.9x3160 4/6T.....	1
252.....	EHB-270DGSVIP-252.....	Blade Cover.....		1
253.....	EHB-270DGSVIP-253.....	Plum Screw.....	M6x10.....	4
254.....	EHB-270DGSVIP-254.....	Round Head Screw.....	M4x8.....	2
255.....	EHB-270DGSVIP-255.....	Nut.....	M4.....	2
256.....	EHB-270DGSVIP-256.....	Handle.....		2
257.....	EHB-270DGSVIP-257.....	Handle Wheel.....		1
258.....	EHB-270DGSVIP-258.....	Thrust Bearing.....	51103.....	1
259.....	EHB-270DGSVIP-259.....	Blade Tension Gauge.....		1
260.....	EHB-270DGSVIP-260.....	Plate.....		1
261.....	EHB-270DGSVIP-261.....	Special Spring Washer.....		10

262.....	EHB-270DGSVIP-262.....	Tension Shaft.....	M16x270.....	1
263.....	EHB-270DGSVIP-263.....	Plate.....		1
264.....	EHB-270DGSVIP-264.....	Washer.....	6x13x1.....	2
265.....	EHB-270DGSVIP-265.....	Hex. Socket Cap Screw.....	M6x12.....	2
266.....	EHB-270DGSVIP-266.....	Limit Switch.....		1
267.....	EHB-270DGSVIP-267.....	Hex. Socket Cap Screw.....	M4x25.....	2
268.....	EHB-270DGSVIP-268.....	Nut.....	M16.....	1
269.....	EHB-270DGSVIP-269.....	Slide Bracket.....		1
270.....	EHB-270DGSVIP-270.....	Spring Washer.....	M10.....	3
271.....	EHB-270DGSVIP-271.....	Hex. Socket Cap Screw.....	M10x45.....	3
272.....	EHB-270DGSVIP-272.....	Set Screw.....	M10x25.....	1
273.....	EHB-270DGSVIP-273.....	Cover Plate.....		1
274.....	EHB-270DGSVIP-274.....	Hex. Socket Cap Screw.....	M6x8.....	2
275.....	EHB-270DGSVIP-275.....	Gib.....		2
276.....	EHB-270DGSVIP-276.....	Spring Washer.....	M8.....	6
277.....	EHB-270DGSVIP-277.....	Hex. Socket Cap Screw.....	M8x20.....	6
278.....	EHB-270DGSVIP-278.....	Set Screw.....	M6x12.....	4
279.....	EHB-270DGSVIP-279.....	Hex. Socket Cap Screw.....	M10x20.....	2
280.....	EHB-270DGSVIP-280.....	Setting Bracket.....		1
281.....	EHB-270DGSVIP-281.....	Press Plate.....		1
282.....	EHB-270DGSVIP-282.....	Handle.....	M10x25.....	1
283.....	EHB-270DGSVIP-283.....	Hex. Socket Cap Screw.....	M8x25.....	2
284.....	EHB-270DGSVIP-284.....	Blade Guide Movable Rod.....		1

Взрыв-схема направляющей ленточнопильного станка ЕНВ-270DGSVIP

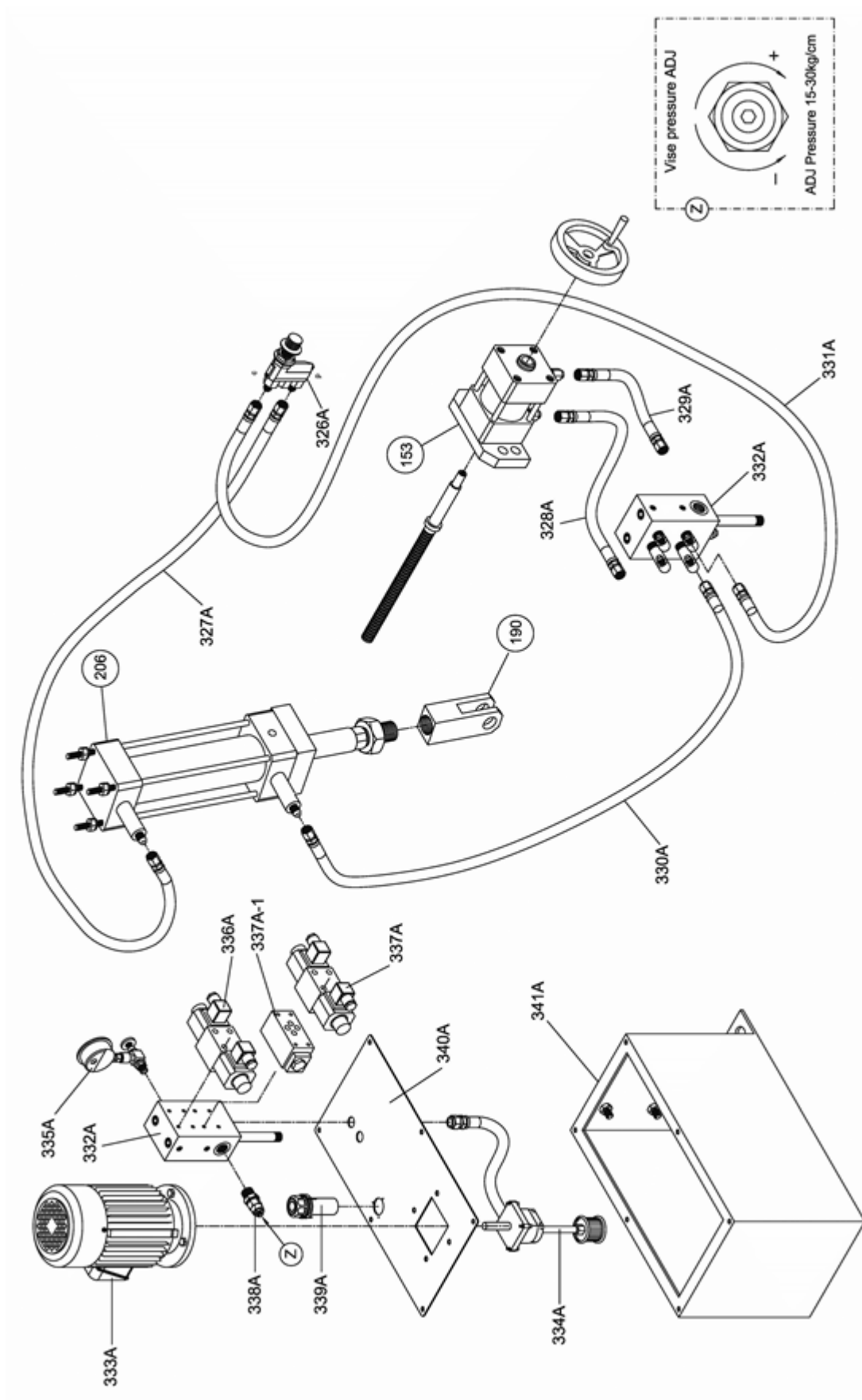


Перечень деталей направляющей ленточнопильного станка EHB-270DGSVIP

№	Артикул	Описание	Размер	Кол-во
175.....	EHB-270DGSVIP-175.....	Saw Arm.....		1
176.....	EHB-270DGSVIP-176.....	Hex. Socket Cap Screw.....	M10x35.....	4
177.....	EHB-270DGSVIP-177.....	Spring Washer.....	M10.....	4
178.....	EHB-270DGSVIP-178.....	Reduction Unit.....		1
179.....	EHB-270DGSVIP-179.....	Key.....	.8x7x30.....	1
285.....	EHB-270DGSVIP-285.....	Set Screw.....	M6x12.....	4
286.....	EHB-270DGSVIP-286.....	Hex. Socket Cap Screw.....	M8x20.....	2
287.....	EHB-270DGSVIP-287.....	Handle.....	M6x60.....	1
288.....	EHB-270DGSVIP-288.....	Hex. Socket Cap Screw.....	M6x8.....	1
289.....	EHB-270DGSVIP-289.....	Guide Bracket.....		1
290.....	EHB-270DGSVIP-290.....	Bolt.....		2
291.....	EHB-270DGSVIP-291.....	Hex. Socket Cap Screw.....	M6x8.....	1
292.....	EHB-270DGSVIP-292.....	Blade Guard.....		1
293.....	EHB-270DGSVIP-293.....	Set Screw.....	M6x12.....	2
294.....	EHB-270DGSVIP-294.....	Nut.....	M6.....	2
295.....	EHB-270DGSVIP-295.....	Centric Shaft.....		2
296.....	EHB-270DGSVIP-296.....	Ball Bearing.....	.608ZZ.....	8
297.....	EHB-270DGSVIP-297.....	E-Ring.....	E-7.....	4
298.....	EHB-270DGSVIP-298.....	Blade Guide.....		2
299.....	EHB-270DGSVIP-299.....	Hex. Socket Cap Screw.....	M6x25.....	2
300.....	EHB-270DGSVIP-300.....	Eccentric Shaft.....		2
301.....	EHB-270DGSVIP-301.....	Ball Bearing.....	.608ZZ.....	2
302.....	EHB-270DGSVIP-302.....	Hex. Socket Cap Screw.....	M6x8.....	2
303.....	EHB-270DGSVIP-303.....	Blade Guard.....		1
304.....	EHB-270DGSVIP-304.....	Guide Bracket.....		1
305.....	EHB-270DGSVIP-305.....	Hex. Socket Cap Screw.....	M6x8.....	2
306.....	EHB-270DGSVIP-306.....	Pipe Fitting.....	1/4Px5/16.....	2
307.....	EHB-270DGSVIP-307.....	Blade Guide.....		2
308.....	EHB-270DGSVIP-308.....	Hex. Socket Cap Screw.....	M8x20.....	2

309.....EHB-270DGSVIP-309.....Brush.....	1
310.....EHB-270DGSVIP-310.....Brush Clamp.....	1
311.....EHB-270DGSVIP-311.....Hex. Cap Bolt.....M6x12.....	2
312.....EHB-270DGSVIP-312.....Washer......6x13x1.....	2

Взрыв-схема гидравлической системы ленточнопильного станка ЕНВ-270DGSVIP

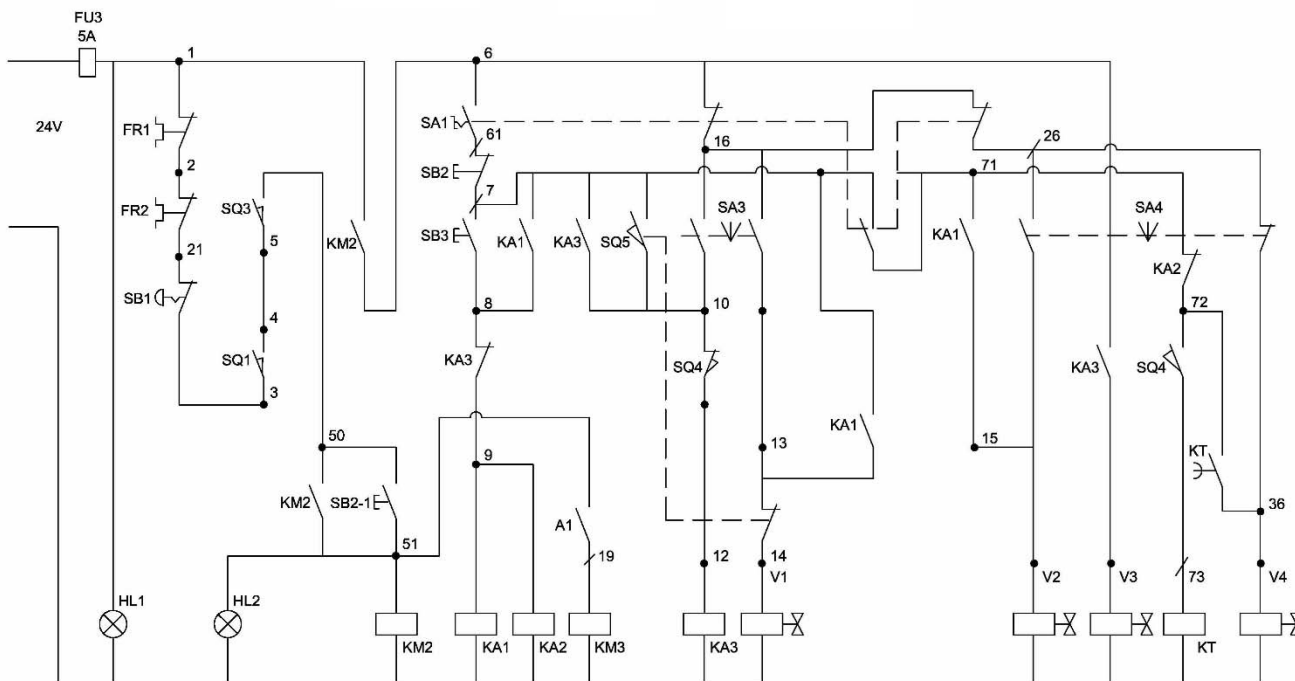
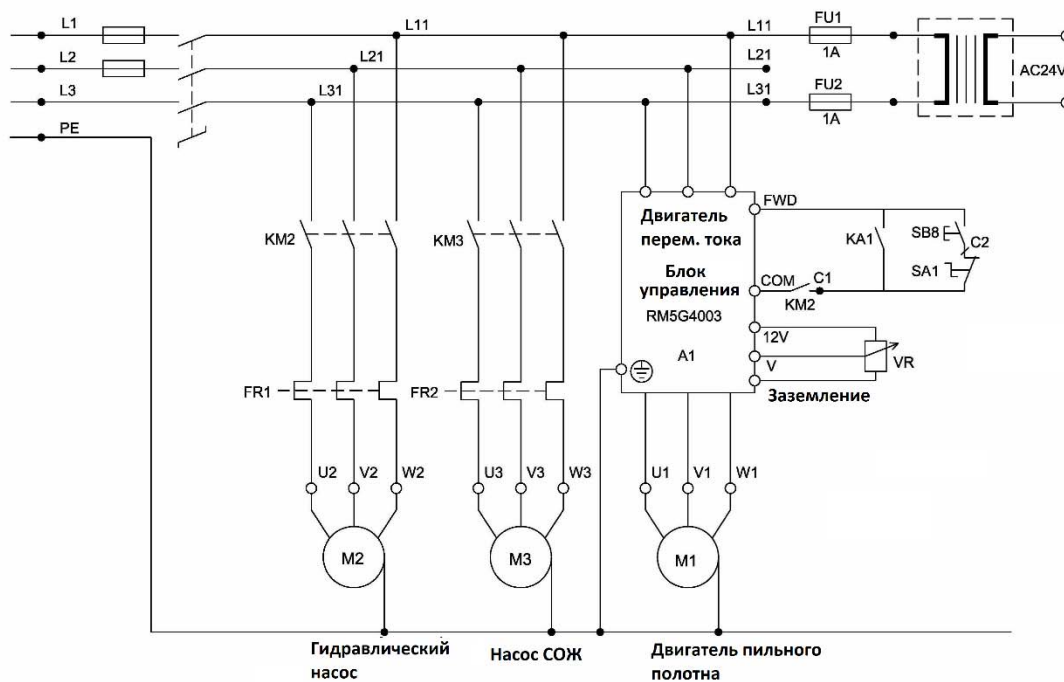


Перечень деталей гидравлической системы ленточнопильного станка EHB-270DGSVIP

№	Артикул	Описание	Размер	Кол-во
326A.....	EHB-270DGSVIP-326A.....	Flow Control.....		1
327A.....	EHB-270DGSVIP-327A.....	Hose.....	2.5 meters.....	1
328A.....	EHB-270DGSVIP-328A.....	Hose.....	2.0 meters.....	1
329A.....	EHB-270DGSVIP-329A.....	Hose.....	2.0 meters.....	1
330A.....	EHB-270DGSVIP-330A.....	Hose.....	2.0 meters.....	1
331A.....	EHB-270DGSVIP-331A.....	Hose.....	1.5 meters.....	1
332A.....	EHB-270DGSVIP-332A.....	Manifold.....		1
333A.....	EHB-270DGSVIP-333A.....	Motor.....		1
334A.....	EHB-270DGSVIP-334A.....	Pump.....		1
335A.....	EHB-270DGSVIP-335A.....	Oil Gauge.....		1
336A.....	EHB-270DGSVIP-336A.....	Solenoid.....	2D2.....	1
337A.....	EHB-270DGSVIP-337A.....	Solenoid.....	3C4.....	1
337A-1.	EHB-270DGSVIP-337A-1.....	Pilot Check.....		1
338A.....	EHB-270DGSVIP-338A.....	Pressure Regulator.....		1
339A.....	EHB-270DGSVIP-339A.....	Oil Fill Port.....		1
340A.....	EHB-270DGSVIP-340A.....	Tank Cover.....		1
341A.....	EHB-270DGSVIP-341A.....	Tank.....		1

Электрическая схема ленточнопильного станка ЕНВ-270DGSVIP

3 фазы, 400 В, 50 Гц



Обозначение	Описание	Бренд/№	Характеристики
M1	Blade Motor		1.5kW 400V 3 Ph 50Hz
M2	Hydraulic Motor		0.37kW 400V 3 Ph 50Hz
M3	Coolant Motor		50W 400V 1 Ph 50Hz
C1	Inverter Contact Point		
C2	Inverter Contact Point		
KM2	Contactora for Hydraulic Unit	C12D01 (NHD)	480V AC 25A CE
KM3	Contactora for Coolant Pump	C12D01 (NHD)	480V AC 25A CE
FR1	Hydraulic Thermal Relay	NTH-1.45 (NHD)	UI 600VAC Ith 6A CE
FR2	Coolant Thermal Relay	NTH-0.5 (NHD)	UI 600VAC Ith 6A CE
A1	Inverter Contact Point		
SA1	Select Switch (Manual/Auto Mode)	NSS22-S (NHD)	UI 600V Ith 5A CE
SA3	Select Switch (Bow Up/Down)	NSS22-S (NHD)	UI 600V Ith 5A CE
SA4	Select Switch (Vise Open/Close)	NSS22-S (NHD)	UI 600V Ith 5A CE
SB1	Emergency Stop Button	KB2-BE102 (Keyon)	Ith 10A CE
SB2	Push Button (Stop)	NPB22-F (NHD)	UI 600V Ith 5A CE
SB2-1	Push Button (Hydraulic Start)	NLD22-F (NHD)	AC24V CE
SB3	Push Button (Auto Mode)	NPB22-F (NHD)	UI 600V Ith 5A CE
SB8	Push Button (Manual Mode)	NPB22-F (NHD)	UI 600V Ith 5A CE
KT	Timer Off	H3Y-2 (HEC)	24VAC 250VAV CE
VR	Blade Vari-Speed Knob	RV24NY20S (COSMOS)	
SQ1	Blade Broken Switch	TZ-8111 (TWCHT)	6A 380V IP65 CE
SQ3	Limit Switch for Bow Cover	QKS8 (Kedu)	AC15 8A 400V IP54 CE
SQ4	Bow Up Limit Switch	TZ-8111 (TWCHT)	6A 380V IP65 CE

SQ5	Bow Down Limit Switch	TZ-8111 (TWCHT)	6A 380V IP65 CE
KA1	Auto Relay	BMY5-4C5-S-CL(Beta)	240VAC 5A CE
KA2	Auto Relay	952-2C-24AN (Shin Da)	250VAC 7A
KA3	Bow Up Relay	BMY5-4C5-S-CL(Beta)	240VDC 5A CE
HL1	Power Lamp	NLD-22 (NHD)	AC24V 20mA CE
HL2	Hydraulic Lamp	NLD22-F (NHD)	AC24V CE
V1	Bow Down Valve		AC24V
V2	Close Vise Valve		AC24V
V3	Bow Up Valve		AC24V
V4	Open Vise Valve		AC24V
FU1	Input Fuse		1A
FU2	Input Fuse		1A
FU3	Output Fuse		5A