

## ПЕРЕЧЕНЬ ДЕТАЛЕЙ СО СХЕМАТИЧЕСКИМИ ИЗОБРАЖЕНИЯМИ JTSS-1600-M

### **PartsListDiagramA**

<b>№</b>	<b>Description</b>	<b>№</b>	<b>Description</b>
A-5	Pan head screw M6x12	A-28	Washer 4mm
A-6	Washer 6mm	A-29	Pan head screw M4x12
A-7	Dust port	A-30	Hold screw, push stick
A-9	Right panel, saw base	A-31	Push stick
A-15	Washer 5mm	A-32	Internal guard
A-18	Knee touch plate	A-36	Angle bracket
A-19	Taping screw ST4.2x20	A-37	Pan head screw M4x10
A-20	Saw base frame	A-38	Angle bracket
A-21	Main switch	A-39	Pan head screw M4x50
A-22	Cover, switch box	A-40	Limit switch
A-23	Plastic plate	A-41	Hex nut M4
A-24	Strain relief	A-42	Allen screw M6x12
A-25	Switch box		

### **PartsListDiagramB**

<b>№</b>	<b>Description</b>	<b>№</b>	<b>Description</b>
B-1	Star-type, lock handle	B-22	Carriage bolt M6x40
B-2	Flat washer 8mm	B-23	Stud, hold down
B-3	Hex screw M8x25	B-24	Star-type knob, hold down
B-4	Hex screw M8x40	B-25	Arm, hold down
B-5	screw	B-26	Allen screw M5x16
B-6	T-base, adjust	B-27	Scale, sliding table
B-7	Bracket, sliding carrier	B-28	Disc, hold down
B-8	Stop screw	B-29	Circle ring 8mm
B-9	T-base, adjust	B-30	Pin, hold down
B-10	T-nut, sliding carrier	B-31	spring, hold down
B-11	Hex nut M8	B-32	Stud, hold down
B-12	Bracket, sliding carrier	B-33	Circle ring 12mm
B-13	Allen screw M8x32	B-34	Eccentric, hold down
B-14	Sunk head screw M8X25	B-35	Handle, hold down
B-15	Wing nut	B-36	Handle knob, hold down
B-16	Washer 6mm	B-37	End cap, fence
B-17	Mitre gauge, hold down	B-38	Fence, mitre gauge
B-18	Ratchet lever	B-39	Hex head screw M8x16
B-19	Flat washer 10mm	B-40	Upper support
B-20	Star-type lock handle	B-41	Allen screw M8x25
B-21	T-block	B-42	Disc, insert

**PartsListDiagramB**

<b>No</b>	<b>Description</b>	<b>No</b>	<b>Description</b>
B-43	Lower support	B-71	Hex nut M10
B-44	Adjustable disc	B-72	Lock guide
B-51	Scew guide	B-73	T-nut, push handle
B-52	Taping screw ST4.2x12	B-74	Set screw M8x12
B-53	End cap, sliding panel	B-75	Insert, ball frame
B-54	Allen screw M5x8	B-76	Roll pin 2x8
B-55	Sliding panel set	B-77	Ball 1/2"
B-56	End cap, sliding panel	B-78	Ball frame
B-57	Stop plate	B-79	Ball frame
B-58	Stop plate	B-80	End cap, sliding rail
B-59	Sunk head screw M6x18	B-81	Sliding table rail
B-60	"Z" lock plate	B-82	End cap, sliding rail
B-61	Sunk head screw M6x20	B-83	Allen screw M6x10
B-62	Eccentric cam	B-84	Sunk head screw M8x20
B-63	Push handle	B-85	Lock nut M8
B-64	Bush, push handle	B-86	Lock nut M6
B-65	End cap, knob	B-87	Thread stud
B-66	Star-type knob, lock pin	B-88	Hex nut M8
B-67	Roll pin 3x18	B-89	T-block
B-68	Bush, lock pin	B-90	Edge shoe
B-69	Spring, lock pin	B-91	Startype screw M8x20
B-70	Lock pin	B-92	Washer 8mm

**PartsListDiagram C**

<b>No</b>	<b>Description</b>	<b>No</b>	<b>Description</b>
C-1	Frame-blade	C-25	Shaft
C-2	Shaft-main blade	C-26	Pulley
C-3	Main shaft	C-27	Tension shaft
C-4	Shaft housing-scoring blade	C-28	Sunken head screw M8X20
C-5	Shaft-scoring blade	C-29	Tension rod
C-6	Pulley-scoring blade	C-30	Bearing 6002
C-7	Gear house	C-31	Bearing 6205
C-8	Rotating support	C-32	Spacer
C-9	Main blade	C-33	Spacer
C-10	Pointer	C-34	Eccentric shaft
C-11	Slide piece	C-35	Circle nut
C-12	Scoring blade	C-36	Nut
C-13	Bearing house	C-37	Belt guard
C-14	Shaft	C-38	Thread
C-15	Stop, scoring blade	C-39	Shaft, spring
C-16	Thread	C-40	Insert
C-17	Main shaft	C-41	Segment
C-18	Rod	C-42	Flange, scoring blade
C-19	Shaft	C-43	Flange
C-20	Frame segment	C-44	Set screw M8X16
C-21	Pulley	C-45	Allen screw M10X25

C-22 Hex nut  
 C-23 Pulley-motor  
 C-24 Motor base

C-46 Chip house  
 C-47 Motor A  
 C-48 Flange

**PartsListDiagram C**

<b>№</b>	<b>Description</b>
C-49	Ball bearing
C-50	Tube
C-51	Wheel handle
C-52	Thread
C-53	Spring
C-54	Washer
C-55	Spacer
C-56	Spacer
C-57	Circle ring
C-58	Thrust bearing
C-59	Washer
C-60	Pin
C-61	Circle ring 326
C-62	Roll pin 5X28
C-63	Set screw M6X8
C-64	Roll pin A6X8
C-65	Set screw M8X12
C-66	Bearing 6002
C-67	Lock nut M6
C-68	Set screw M8X12
C-69	Washer 8mm
C-70	Hex head screw M8X12
C-71	Circle ring A20
C-72	Circle ring
C-73	Hex head screw M6X12
C-74	Hex nut M8
C-75	Pan head screw M6X12
C-76	Flat washer 6mm
C-77	Hex head screw M8X35
C-78	Sunkenheadscrew M8X40

<b>№</b>	<b>Description</b>
C-79	Hex head screw M6X20
C-80	Allen screw M6X20
C-81	Hex nut M6
C-82	Set screw M8X8
C-83	Flat hey 18X35
C-84	Flat washer 8mm
C-85	Spring washer 8mm
C-86	Allen screw M8X30
C-87	Carriage bolt M10X80C
C-88	Hex nut M10
C-89	Hex head screw M8X16
C-90	Sunken head screw M10X25
C-91	Hex head screw M10X25
C-92	Set screw M8X16
C-93	Nut M35X1
C-94	Multi "V" belt 660
C-95	Multi "V" belt 560
C-101	Stop screw
C-102	Set screw M8X20
C-103	Set screw M8X20
C-105	Spring washer 10mm
C-107	Riving knife
C-108	Taping screw ST4.2X10
C-109	Taping screw ST4.2X26
C-110	Segment, blade guard
C-111	Lock bolt, guard
C-112	Half, blade guard
C-113	Half, blade guard
C-114	Lock washer 8mm
C-115	Knuriednut

**PartsListDiagramD**

<b>№</b>	<b>Description</b>
D-1	L type aluminum baffle
D-2	Locking plate
D-3	The positioning shaft
D-4	Countersunk head screw M5X16
D-5	Connecting plate
D-6	Retaining rings for shafts $\phi$ 20
D-7	L type aluminum locking shaft
D-8	Handle
D-9	Handball
D-10	Slide block
D-11	Retaining rings for shafts $\phi$ 20
D-12	Slideblockshaft
D-13	Threadbushing

<b>№</b>	<b>Description</b>
D-14	Washer M5
D-15	Countersunk head screw M5X16
D-16	The locking block mandrel
D-17	Inner six angle locking
D-18	Locking block
D-19	Side guide
D-20	Screw
D-21	Nut
D-22	Track scale
D-23	The scale fixing plate
D-24	Countersunk head screw M5X10
D-25	The bottom baffle

**PartsListDiagramE**

<b>No</b>	<b>Description</b>	<b>No</b>	<b>Description</b>
E-1	Scale, cross cut table	E-42	Hex screw M8x30
E-2	Washer 6mm	E-43	Hex screw M10x25
E-3	Scale, cross cut table	E-44	Sunk head screw M6x12
E-4	Allen screw M6x12	E-45	T-nut, extension fence
E-5	Eccentric cam	E-46	Lock plate
E-6	Washer 8mm	E-47	T-block
E-7	Sunk head screw M6x10	E-48	Scale
E-8	"Z" lock plate	E-49	End, extension fence
E-9	"Z" lock plate	E-50	Carriage bolt M6x38
E-10	Hex screw M8x20	E-51	Screw guide
E-11	Lock nut M6	E-52	Flip stop base
E-12	Hex nut M6	E-53	Knurled knob
E-13	End cap, cross cut table	E-54	Spring, flip stop
E-14	Cross cut table	E-55	Set screw
E-15	Roller	E-56	Spacer , ratchet lever
E-16	Hex screw M8x12	E-57	Ratchet lever, Flip stop
E-17	Bracket, roller	E-58	Allen screw M8x20
E-18	Bracket, roller	E-59	Stud, flip stop
E-20	Support rod, cross cut table	E-60	Flip stop
E-22	Thin hex nut M10	E-61	Scale, extension fence
E-24	Swing arm, extension	E-62	Extension fence
E-25	Pan head screw M5x12	E-63	Scale, cross cut fence
E-26	Insert, swing arm	E-64	Taping screw ST4.2 x12
E-27	Woolen sheet	E-65	End cap, cross cut fence
E-28	Block	E-66	Lock stud, cross cut fence
E-29	Roll	E-67	T-block
E-30	Bearing 6101	E-69	Flat washer M8
E-31	Spacer, roll	E-70	Spacer, lock handle
E-32	Pan head screw M5x6	E-71	Star-type lock handle
E-33	Eccentric shaft	E-72	Wing nut M8
E-34	Swing arm	E-73	Stud, cross cut table
E-35	Hex screw M6x35	E-74	T-block
E-36	Stop collar	E-75	Knurled knob, fence
E-37	Bearing 6202	E-76	End cap, swing arm
E-38	Shaft, swing arm	E-77	T-block, hold down

E-39	Hex screw M8x50
E-40	Thin nut M16
E-41	Support, swingarm

E-78	Washer 12 mm
E-79	Stud, holddown

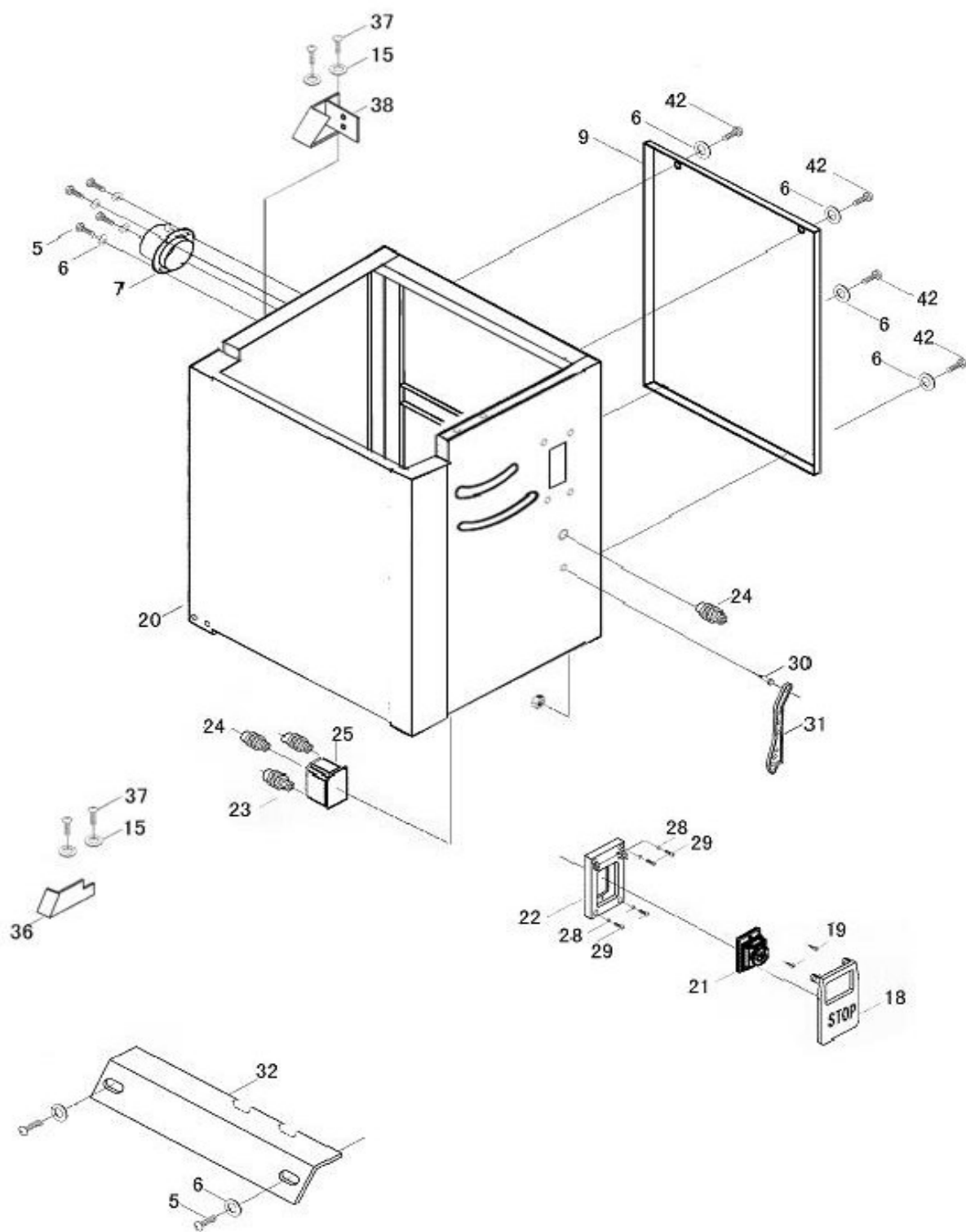
### **PartsListDiagramG**

<b>Nº</b>	<b>Description</b>	<b>Nº</b>	<b>Description</b>
G-1	Rear extension table	G-20	Dust hose support
G-2	Washer 8mm	G-21	Washer 6mm
G-3	Hex nut M8	G-22	Hex screw M6x20
G-4	Set screw M6x12	G-23	Hex nut M6
G-5	Hex screw M8x16	G-26	Adjustable disc
G-6	Flat washer 10mm	G-27	Lower, support
G-7	Rea table support	G-28	Disc insert
G-8	Set screw M10x70	G-29	Allen screw M8x25
G-9	Hex nut M10	G-30	Upper, support
G-10	Major table	G-31	Taping screw ST4.2x12
G-11	Table insert	G-32	Washer 4mm
G-12	Sunk head screw M5x10	G-33	Right end cap, front rail
G-13	Hex screw M8x20	G-34	T-Nut M5
G-14	Front rail	G-35	Rack, fence
G-15	Square head screw M8x25	G-37	Lock washer 5mm
G-16	Extension table	G-38	Pan head screw M5x8
G-17	Steel extension table	G-39	Left end cap, front rail
G-18	Hose clamp 30mm	G-40	Scale, rail
G-19	Dusthose 30mm dia.x3240mm	G-41	Rearrail

### **PartsListDiagramH**

<b>Nº</b>	<b>Description</b>	<b>Nº</b>	<b>Description</b>
H-1	Mitre gauge knob	H-11	Mitre gauge rod
H-2	Washer 6mm	H-12	Washer 6mm
H-3	Mitre gauge base	H-13	Knurled nut
H-4	indicator		
H-5	screw		
H-6	End cap, Gauge fence		
H-7	Gauge fence		
H-8	Sunk head screw M5x8		
H-9	Roller, guage		
H-10	Carriage bolt M6x32		

# DIAGRAM A



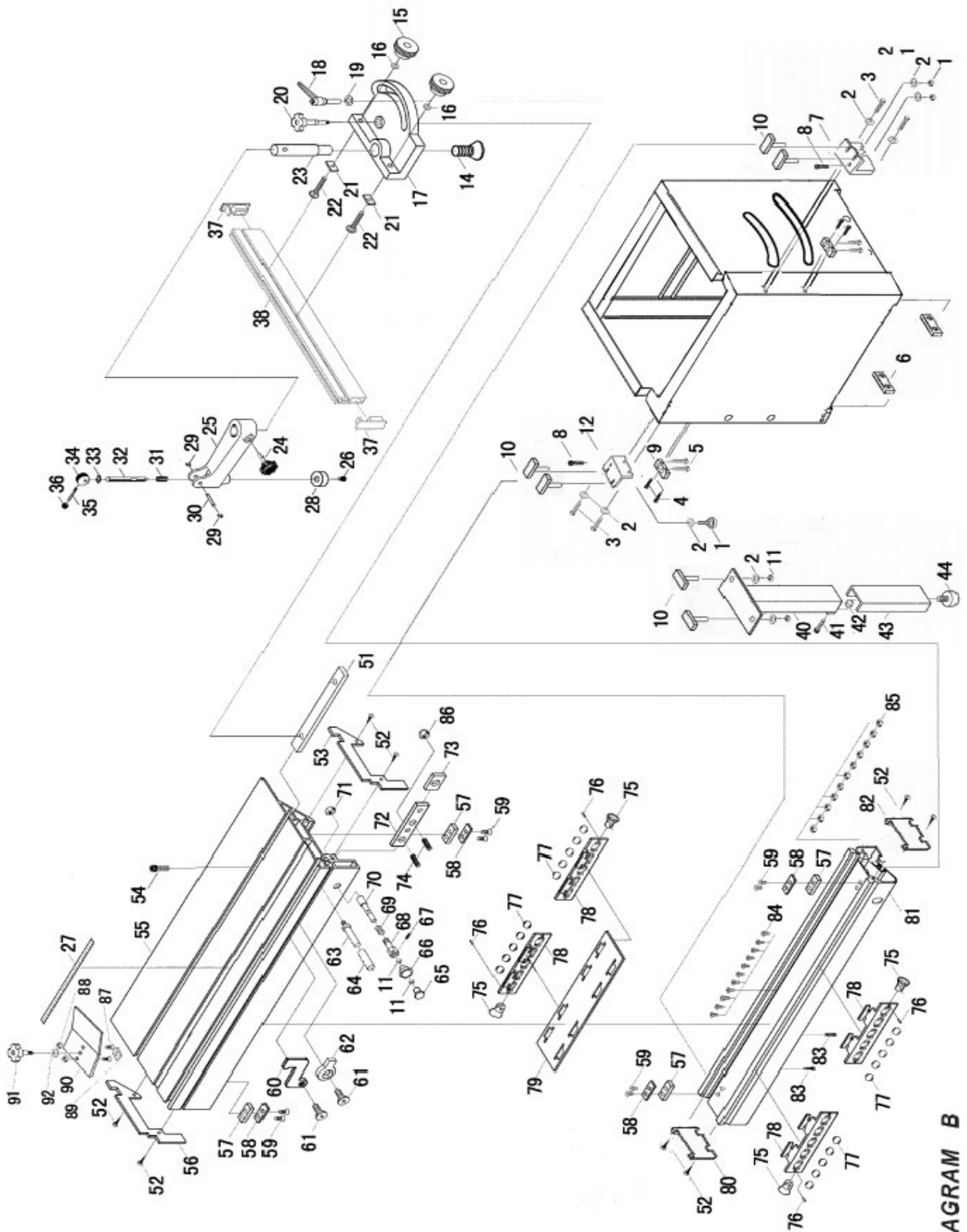
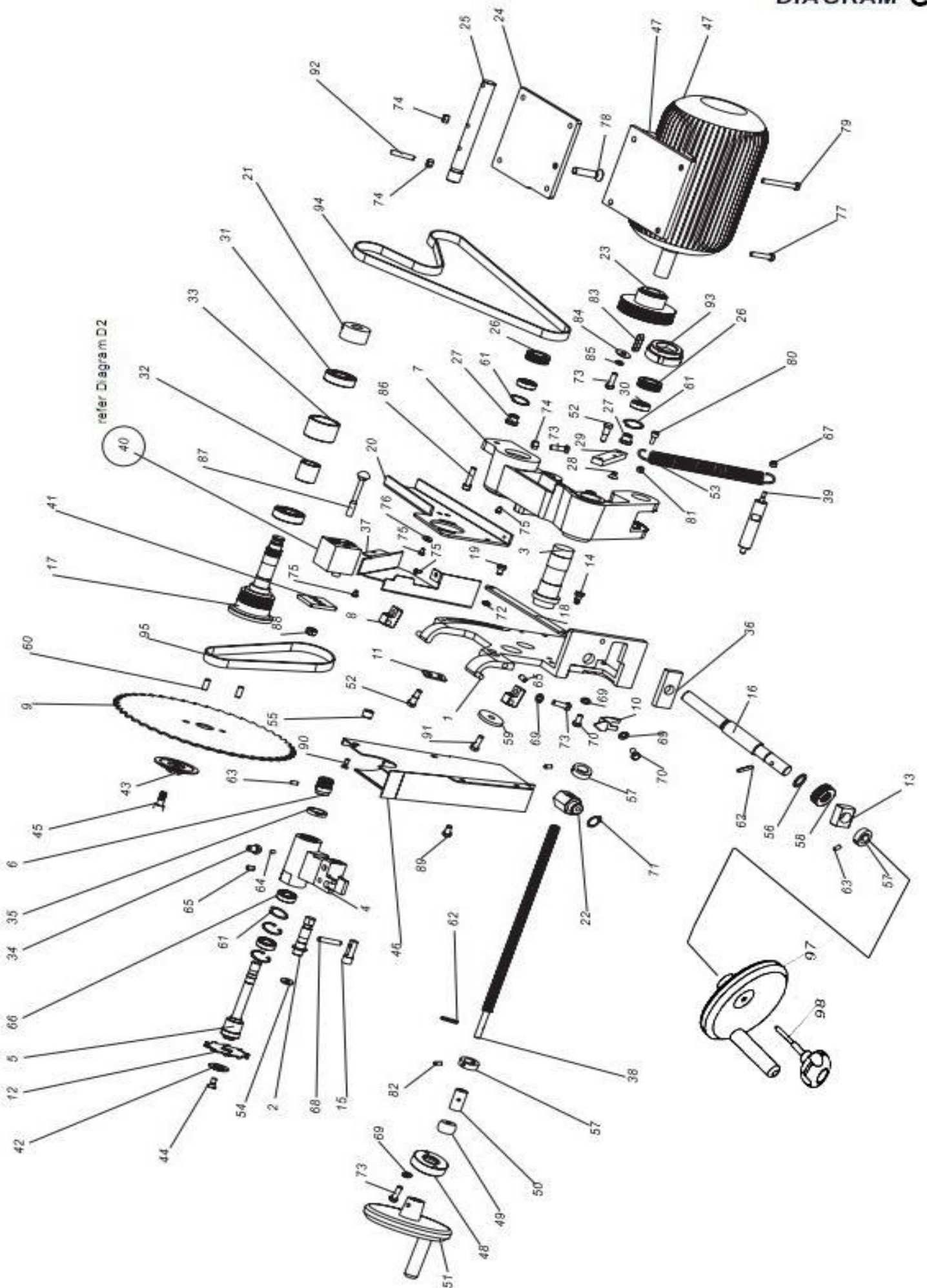


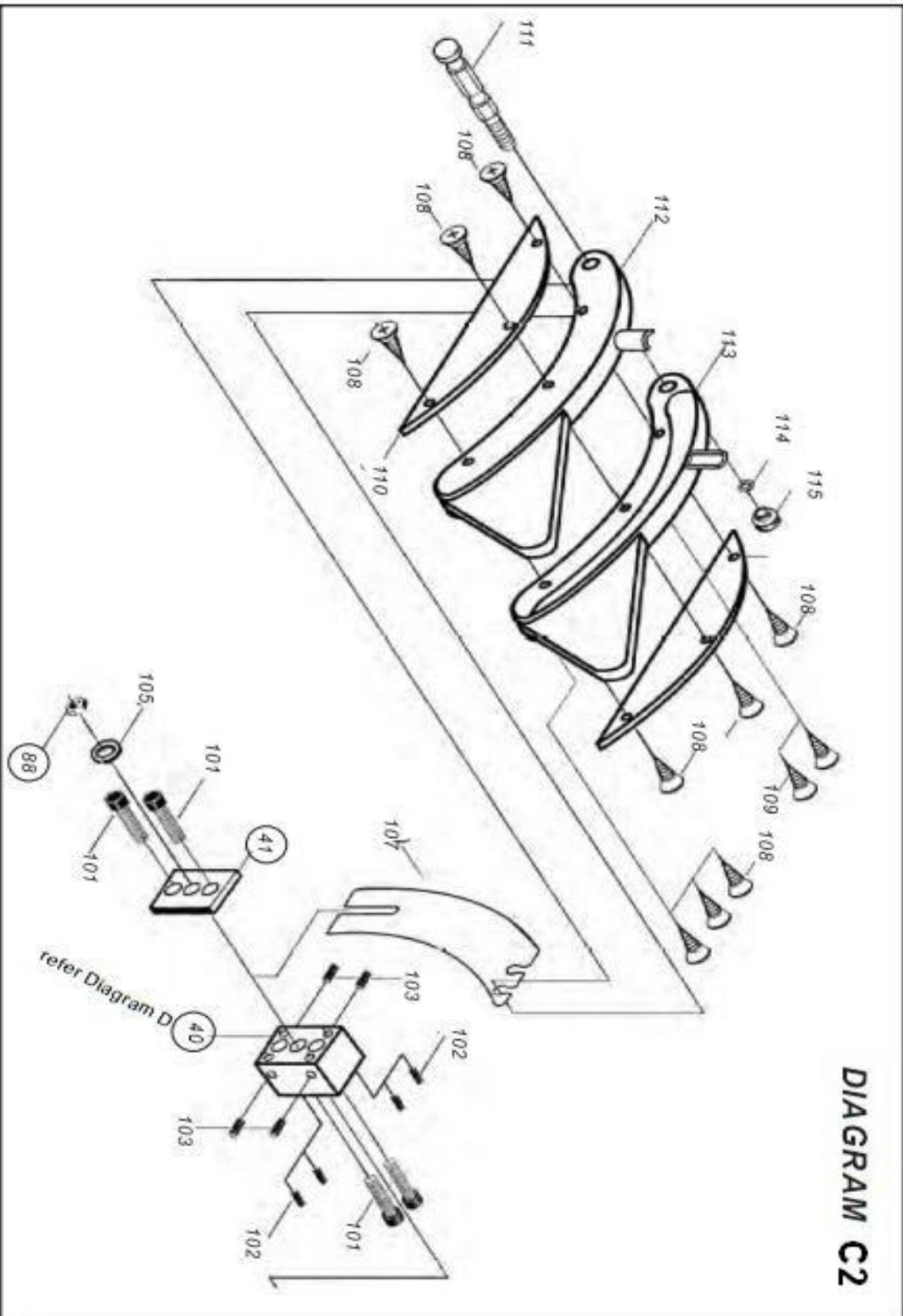
DIAGRAM B

DIAGRAM C





**DIAGRAM C2**



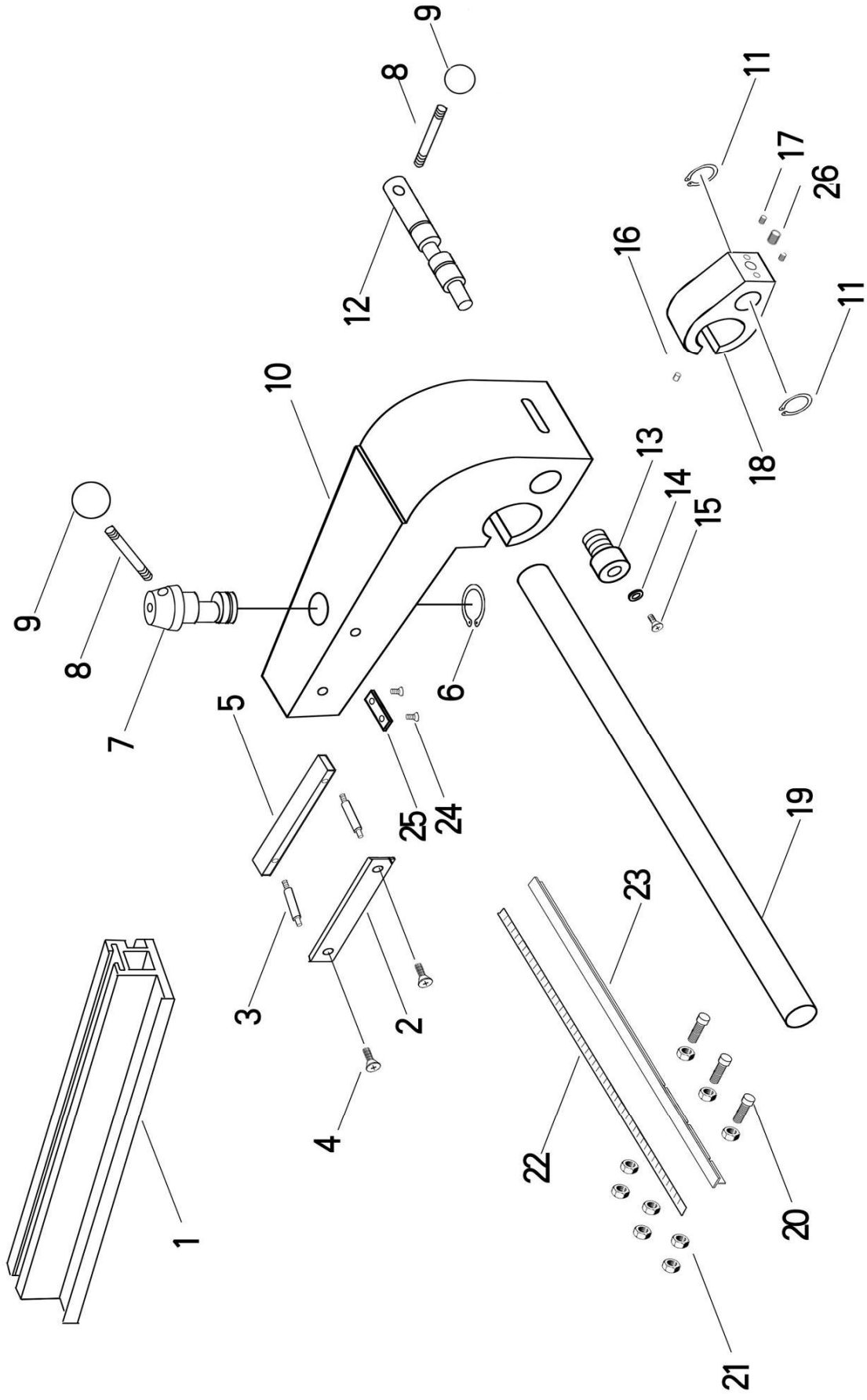
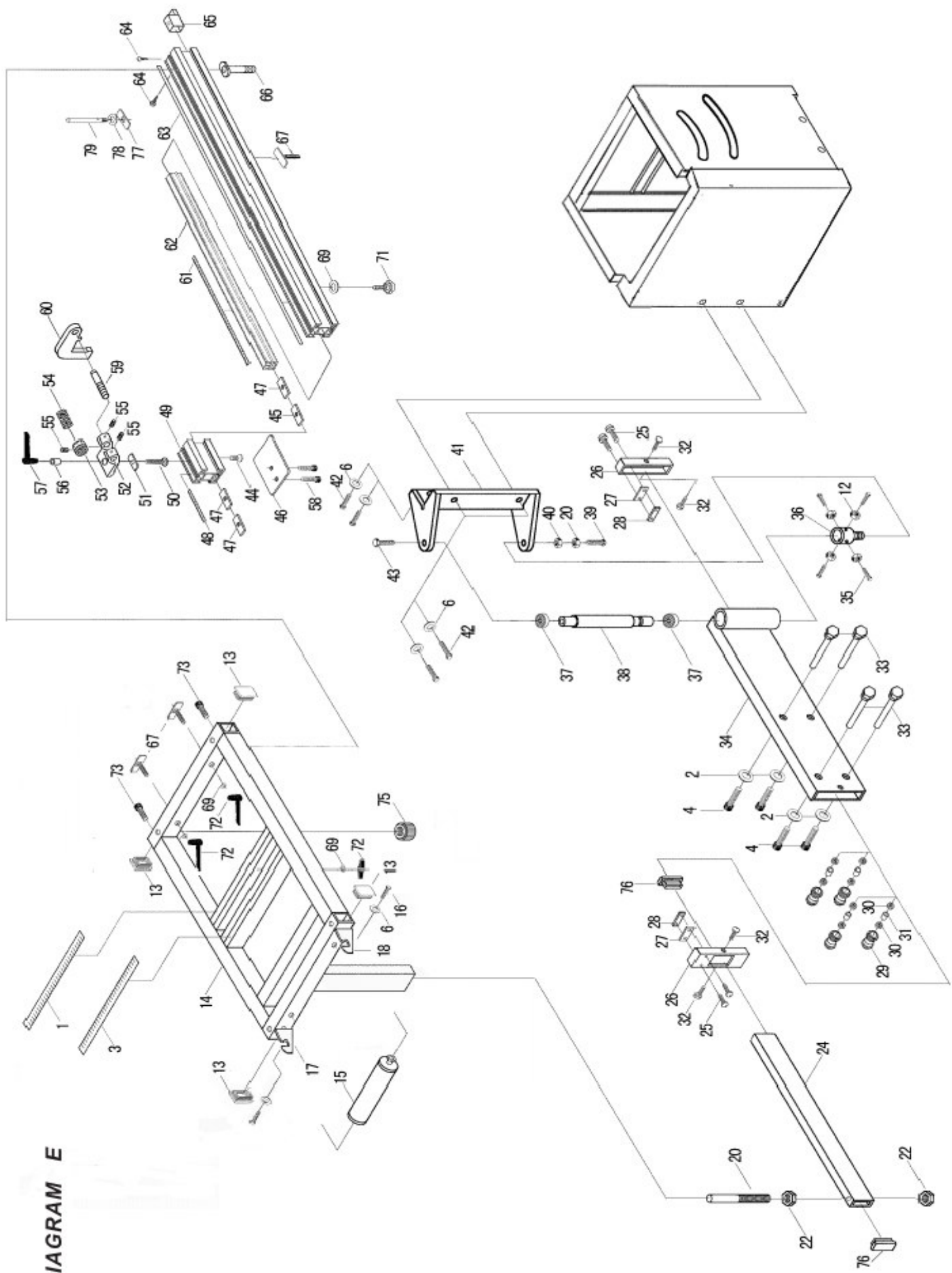


DIAGRAM D

DIAGRAM E



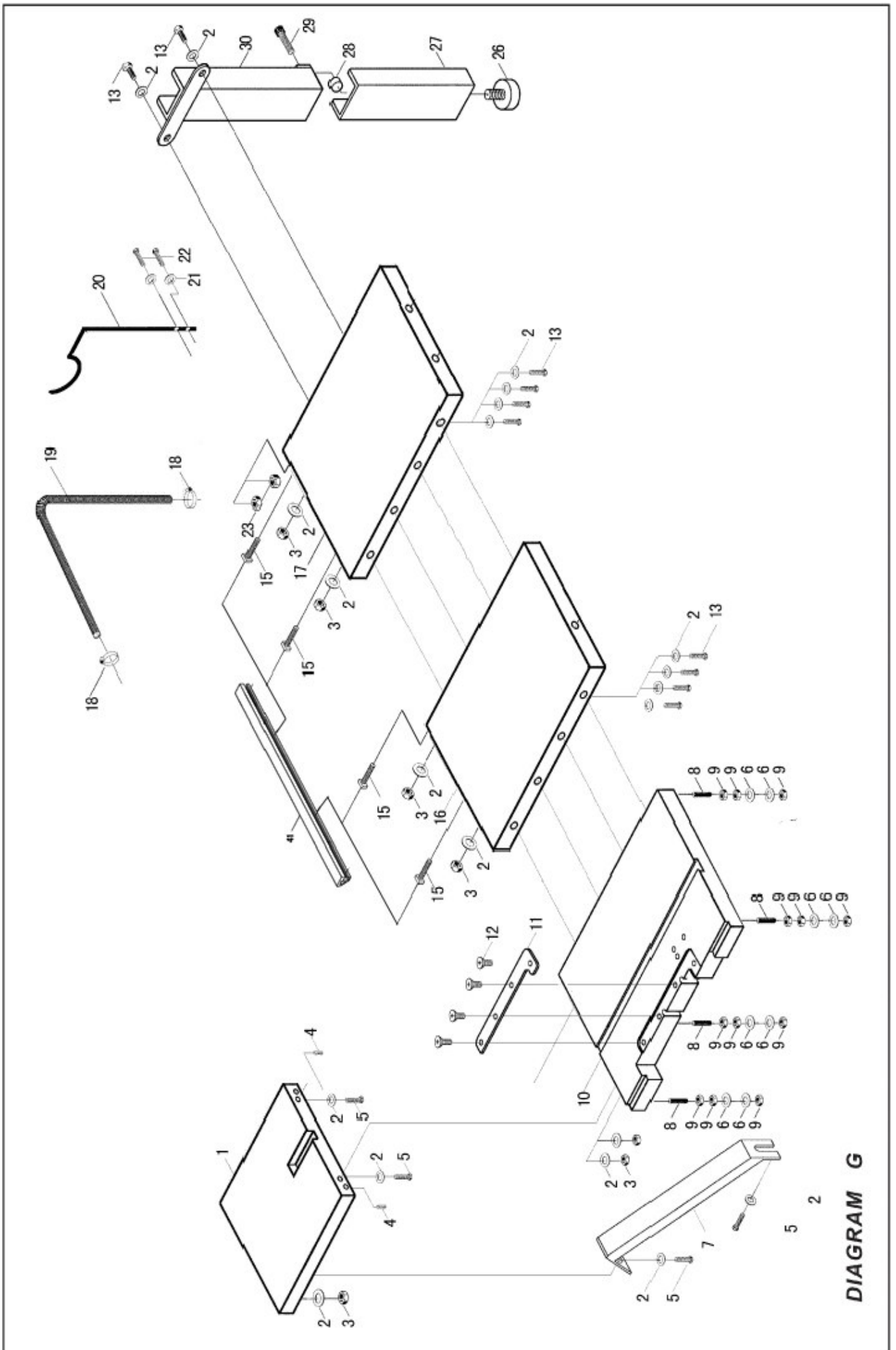


DIAGRAM G

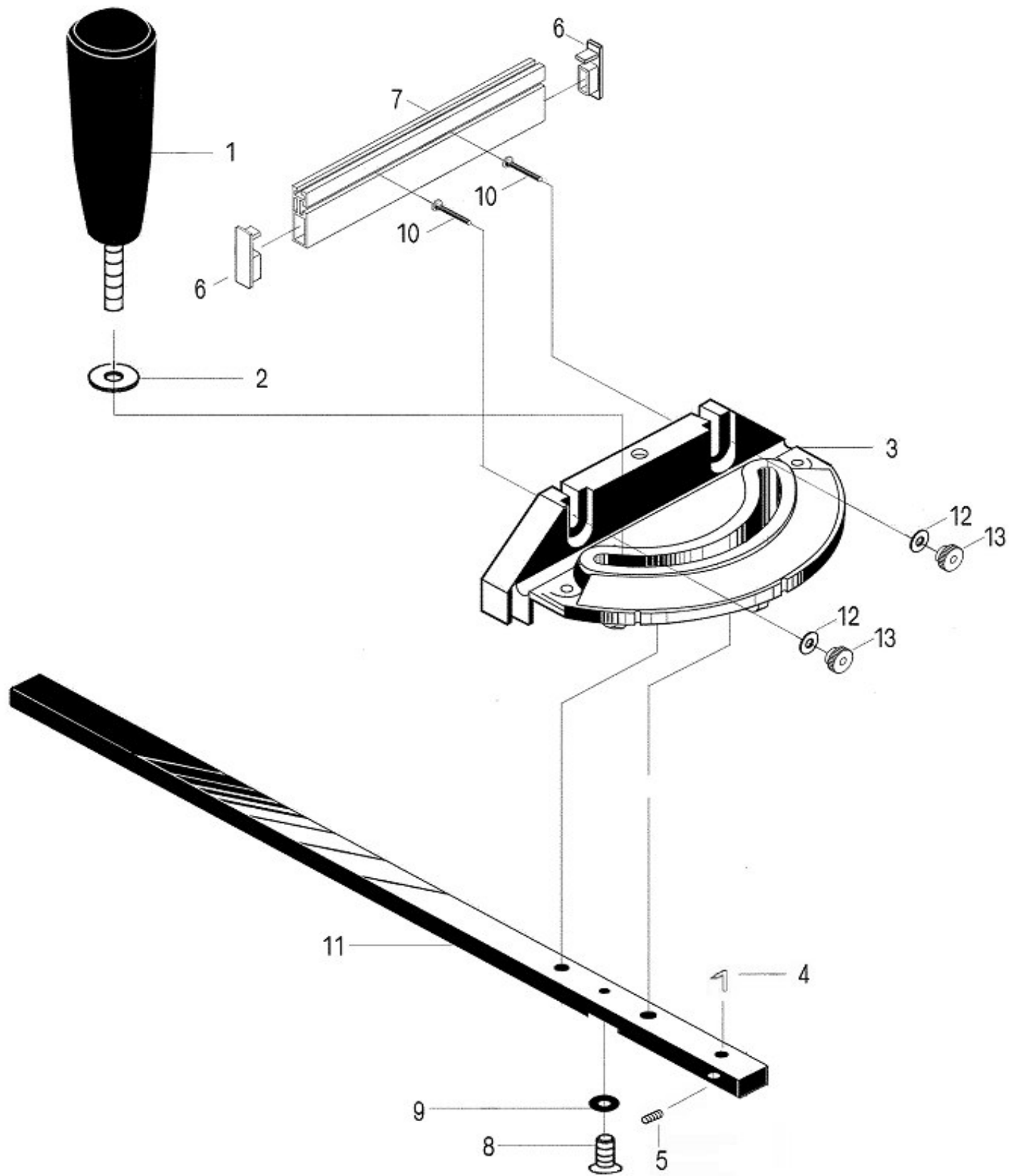


DIAGRAM H