



## **MBS-1013CSD Miter Bandsaw**

**MBS-1013CSD... 50000432T .... 3~400V, 50Hz**

### **PARTS LIST**

**JPW (Tool) AG.**

Tämperlistrasse 5  
CH-8117 Fällanden  
Switzerland

Phone +41 44 806 47 48

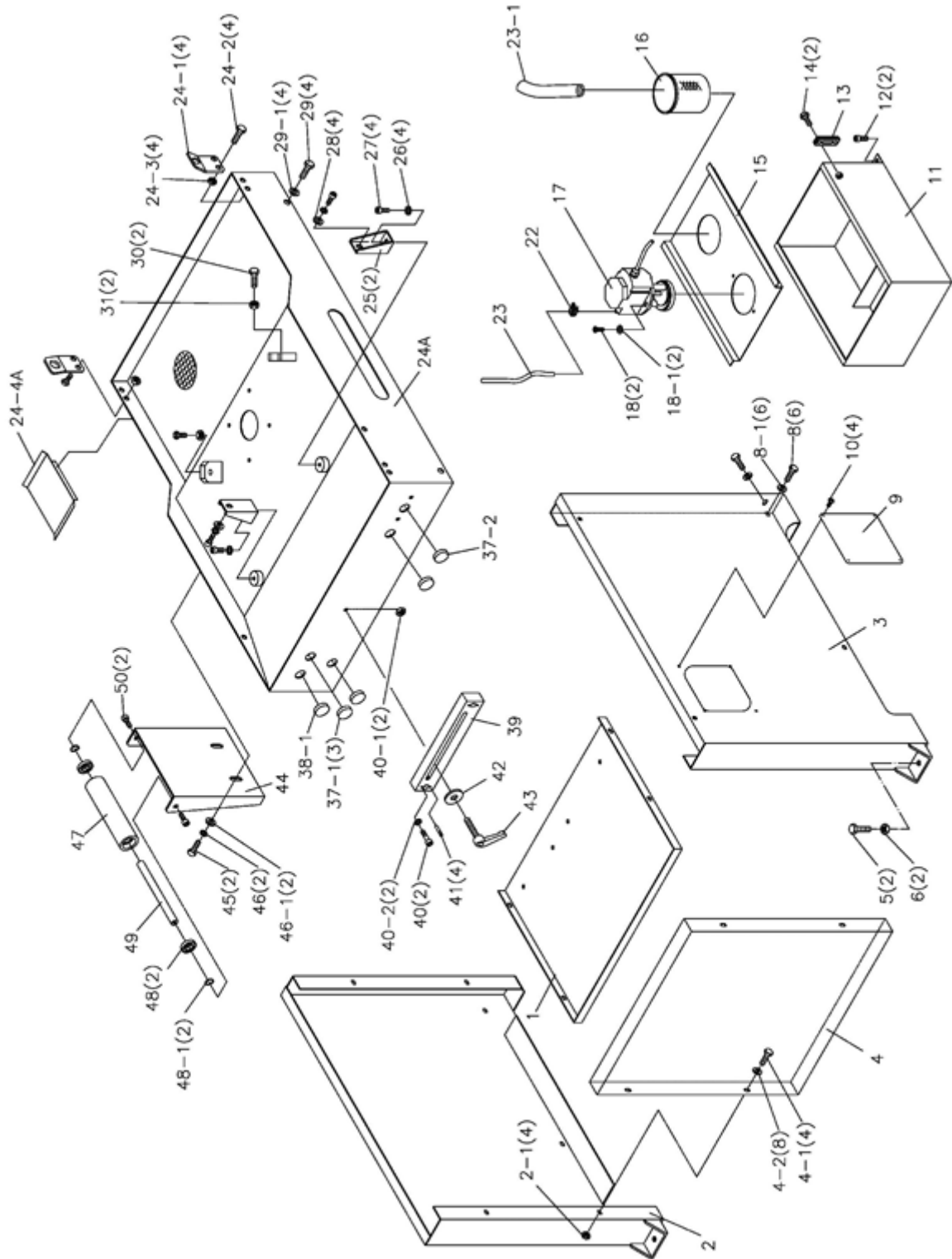
Fax +41 44 806 47 58

[www.jettools.com](http://www.jettools.com)

P-50000432T

2015-08

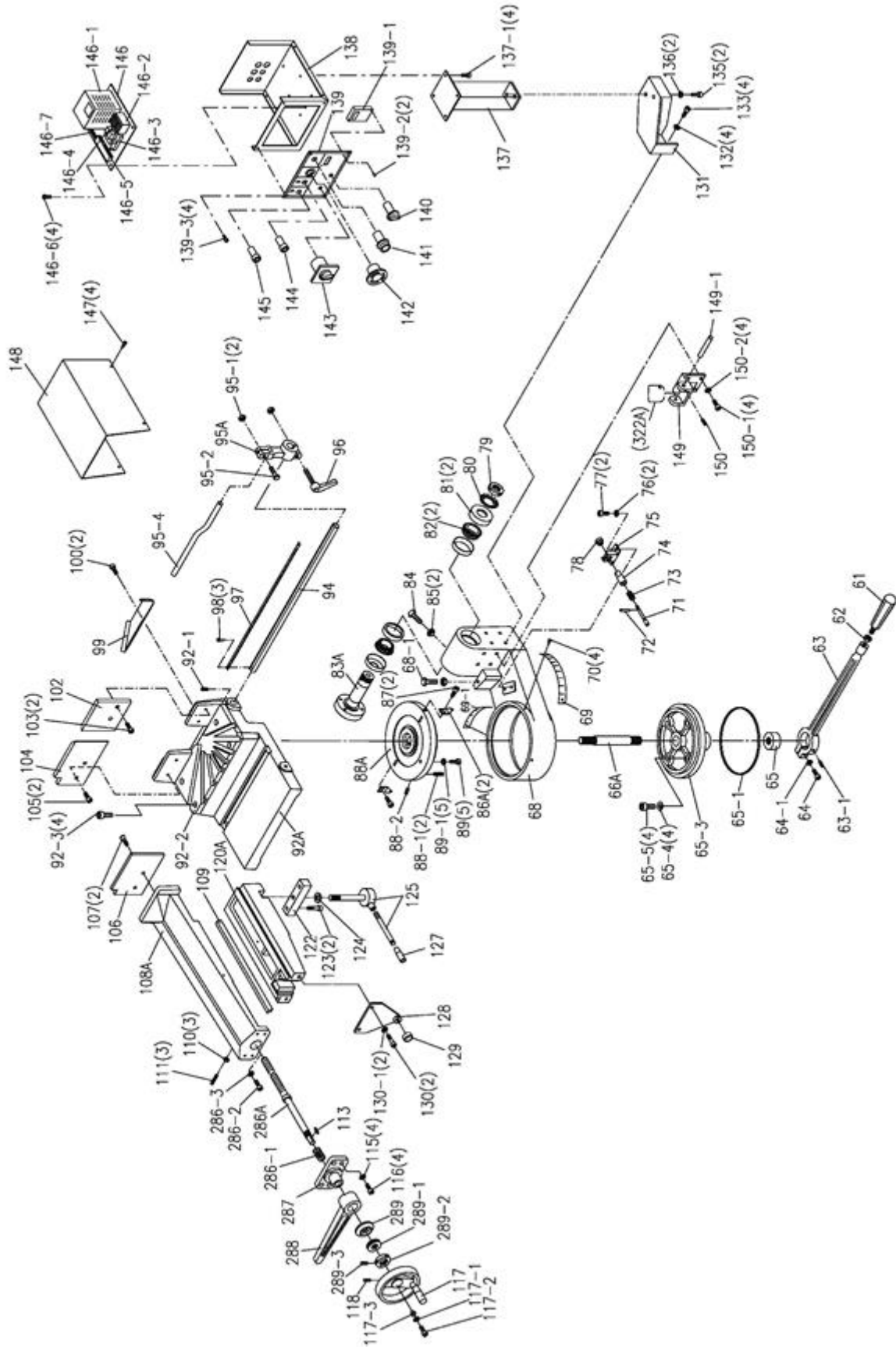
# MBS-1013CSD Stand Assembly



### MBS-1013CSD Stand Assembly

Index No.	Part No.	Description	Size	Qty
1	MBS-1013CSD-01	Base (Bottom Plate)		1
2	MBS-1013CSD-02	Base (Left Part)		1
2-1	MBS-1013CSD-02-1	Nut	M8	4
3	MBS-1013CSD-03	Base (Right Part)		1
4	MBS-1013CSD-04	Base (Front Part)		1
4-1	MBS-1013CSD-04-1	Hex. Cap Bolt	M8x16	4
4-2	MBS-1013CSD-04-2	Washer	M8	8
5	MBS-1013CSD-05	Hex. Cap Bolt	M12x40	2
6	MBS-1013CSD-06	Nut	M12	2
8	MBS-1013CSD-08	Hex. Cap Bolt	M8x16	6
8-1	MBS-1013CSD-08-1	Washer	M8x18x2	6
9	MBS-1013CSD-09	Plate		1
10	MBS-1013CSD-10	Hex. Socket Cap Screw	M5x8	4
11	MBS-1013CSD-11	Coolant Tank		1
12	MBS-1013CSD-12	Hex. Cap Bolt	M8x16	2
13	MBS-1013CSD-13	Coolant Gauge		1
14	MBS-1013CSD-14	Hex. Cap Bolt	3/16"	2
15	MBS-1013CSD-15	Tank Cover		1
16	MBS-1013CSD-16	Filter		1
17	MBS-1013CSD-17	Pump		1
18	MBS-1013CSD-18	Hex. Socket Cap Screw	M6x25	2
18-1	MBS-1013CSD-18-1	Washer	M6x13x1	2
22	MBS-1013CSD-22	Hose Clamp	13mm	1
23	MBS-1013CSD-23	Hose	5/16"x235cm	1
23-1	MBS-1013CSD-23-1	Hose	1"x45cm	1
24A	MBS-1013CSD-24A	Coolant and Chip Tray		1
24-1	MBS-1013CSD-24-1	Plate		4
24-2	MBS-1013CSD-24-2	Hex. Cap Bolt	M10x20	4
24-3	MBS-1013CSD-24-3	Nut	M10	4
24-4A	MBS-1013CSD-24-4A	Coolant Plate		1
25	MBS-1013CSD-25	Mounting Bracket		2
26	MBS-1013CSD-26	Spring Washer	M10	4
27	MBS-1013CSD-27	Hex. Socket Cap Screw	M10x20	4
28	MBS-1013CSD-28	Washer	M10x21x2	4
29	MBS-1013CSD-29	Hex. Cap Bolt	M10x20	4
29-1	MBS-1013CSD-29-1	Washer	M10	4
30	MBS-1013CSD-30	Hex. Cap Bolt	M12x40	2
31	MBS-1013CSD-31	Nut	M12	2
37-1	MBS-1013CSD-37-1	Hole Cover	HP-25	3
37-2	MBS-1013CSD-37-2	Hole Cover	HP-19	1
38-1	MBS-1013CSD-38-1	Hole Cover	HP-22	1
39	MBS-1013CSD-39	Track		1
40	MBS-1013CSD-40	Hex. Socket Cap Screw	M8x35	2
40-1	MBS-1013CSD-40-1	Nut	M8	2
40-2	MBS-1013CSD-40-2	Spring Washer	M8	2
41	MBS-1013CSD-41	Set Screw	M6x12	4
42	MBS-1013CSD-42	Washer		1
43	MBS-1013CSD-43	Handle	M8x25	1
44	MBS-1013CSD-44	Roller Stand		1
45	MBS-1013CSD-45	Hex. Cap Bolt	M12x25	2
46	MBS-1013CSD-46	Spring Washer	M12	2
46-1	MBS-1013CSD-46-1	Washer	M12x28x3	2
47	MBS-1013CSD-47	Roller		1
48	MBS-1013CSD-48	Ball Bearing	6004ZZ	2
48-1	MBS-1013CSD-48-1	C-Ring	S-20	2
49	MBS-1013CSD-49	Roller Shaft		1
50	MBS-1013CSD-50	Hex. Socket Cap Screw	M10x20	2

# MBS-1013CSD Swivel & Base Assembly



### MBS-1013CSD Swivel & Base Assembly

Index No.	Part No.	Description	Size	Qty
61	MBS-1013CSD-61	Handle		1
62	MBS-1013CSD-62	Nut	M12	1
63	MBS-1013CSD-63	Locking Lever		1
63-1	MBS-1013CSD-63-1	Set Screw	M10x16	1
64	MBS-1013CSD-64	Hex. Socket Cap Screw	M10x35	1
64-1	MBS-1013CSD-64-1	Spring Washer	M10	1
65	MBS-1013CSD-65	Shaft Nut		1
65-1	MBS-1013CSD-65-1	Oil Seal		1
65-3	MBS-1013CSD-65-3	Disk		1
65-4	MBS-1013CSD-65-4	Spring Washer	M8	4
65-5	MBS-1013CSD-65-5	Hex. Socket Cap Screw	M8x35	4
66A	MBS-1013CSD-66A	Shaft		1
68	MBS-1013CSD-68	Swivel Arm		1
68-1	MBS-1013CSD-68-1	Hex. Cap Bolt	M10x35	1
69	MBS-1013CSD-69	Scale	0-60°	1
69-1	MBS-1013CSD-69-1	Scale	0-45°	1
70	MBS-1013CSD-70	Rivet	2.3x4	4
71	MBS-1013CSD-71	Pin		1
72	MBS-1013CSD-72	Hollow Pin	∅ 2.5x16	1
73	MBS-1013CSD-73	Spring		1
74	MBS-1013CSD-74	Bushing		1
75	MBS-1013CSD-75	Bracket		1
76	MBS-1013CSD-76	Spring Washer	M8	2
77	MBS-1013CSD-77	Hex. Socket Cap Screw	M8x25	2
78	MBS-1013CSD-78	Knob		1
79	MBS-1013CSD-79	Jam Nut	M40	1
80	MBS-1013CSD-80	Star Washer	M40	1
81	MBS-1013CSD-81	Anti-Dust Cover	M40	2
82	MBS-1013CSD-82	Ball Bearing	32008	2
83A	MBS-1013CSD-83A	Shaft		1
84	MBS-1013CSD-84	Hex. Cap Bolt	M10x45	1
85	MBS-1013CSD-85	Nut	M10	2
86A	MBS-1013CSD-86A	Pointer		2
87	MBS-1013CSD-87	Hex. Socket Cap Screw	M5x8	2
88A	MBS-1013CSD-88A	Cover		1
88-1	MBS-1013CSD-88-1	Hollow Pin	∅ 6x20	2
88-2	MBS-1013CSD-88-2	Set Screw	M8x10	1
89	MBS-1013CSD-89	Hex. Socket Cap Screw	M8x35	5
89-1	MBS-1013CSD-89-1	Spring Washer	M8	5
92A	MBS-1013CSD-92A	Table		1
92-1	MBS-1013CSD-92-1	Set Screw	M6x12	1
92-2	MBS-1013CSD-92-2	Changeable Plate		1
92-3	MBS-1013CSD-92-3	Hex. Socket Cap Screw	M8x20	4
94	MBS-1013CSD-94	Bar-Stop-Rod		1
95A	MBS-1013CSD-95A	Bar Bracket		1
95-1	MBS-1013CSD-95-1	Nut	M8	2
95-2	MBS-1013CSD-95-2	Hex. Socket Cap Screw	M8x25	1
95-4	MBS-1013CSD-95-4	Stop Bar		1
96	MBS-1013CSD-96	Handle	M8x25	1
97	MBS-1013CSD-97	Scale		1
98	MBS-1013CSD-98	Rivet		3
99	MBS-1013CSD-99	Chip Gutter		1
100	MBS-1013CSD-100	Hex. Socket Cap Screw	M6x8	2
102	MBS-1013CSD-102	Vise Jaw - Right		1
103	MBS-1013CSD-103	Hex. Socket Cap Screw	M6x15	2
104	MBS-1013CSD-104	Vise Jaw - Left		1
105	MBS-1013CSD-105	Hex. Socket Cap Screw	M6x15	2
106	MBS-1013CSD-106	Vise Jaw - Front		1
107	MBS-1013CSD-107	Flat Head Machine Screw	M6x15	2

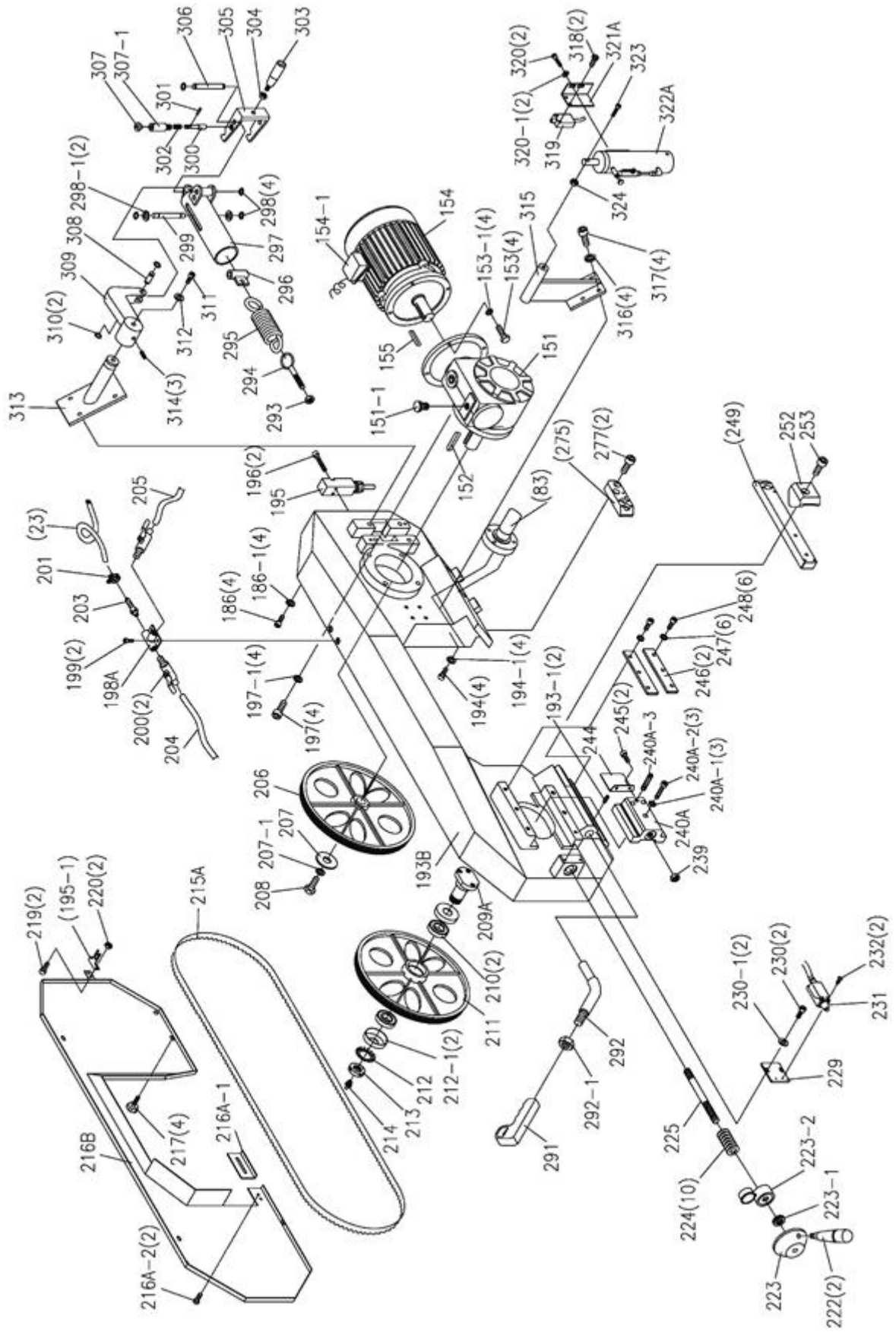
## MBS-1013CSD Swivel & Base Assembly

Index No.	Part No.	Description	Size	Qty
108A	MBS-1013CSD-108A	.Movable Vise		1
109	MBS-1013CSD-109	.Dovetail Plate		1
110	MBS-1013CSD-110	.Nut	M5	3
111	MBS-1013CSD-111	.Set Screw	M5x25	3
113	MBS-1013CSD-113	.Key	5x5x15	1
115	MBS-1013CSD-115	.Spring Washer	M8	4
116	MBS-1013CSD-116	.Hex. Socket Cap Screw	M8x20	4
117	MBS-1013CSD-117	.Hand Wheel		1
117-1	MBS-1013CSD-117-1	.Spring Washer	M6	1
117-2	MBS-1013CSD-117-2	.Hex. Socket Cap Screw	M6x25	1
117-3	MBS-1013CSD-117-3	.Bushing		1
118	MBS-1013CSD-118	.Set Screw	M8x10	1
120A	MBS-1013CSD-120A	.Vise Seat		1
122	MBS-1013CSD-122	.Vise Setting Plate		1
123	MBS-1013CSD-123	.Hex. Socket Cap Screw	M10x30	2
124	MBS-1013CSD-124	.Setting Washer		1
125	MBS-1013CSD-125	.Lock Lever Device		1
127	MBS-1013CSD-127	.Handle		1
128	MBS-1013CSD-128	.Setting Plate		1
129	MBS-1013CSD-129	.Bushing		1
130	MBS-1013CSD-130	.Hex. Socket Cap Screw	M8x20	2
130-1	MBS-1013CSD-130-1	.Spring Washer	M8	2
131	MBS-1013CSD-131	.Electric Box Holder		1
132	MBS-1013CSD-132	.Spring Washer	M8	4
133	MBS-1013CSD-133	.Hex. Socket Cap Screw	M8x20	4
135	MBS-1013CSD-135	.Hex. Socket Cap Screw	M10x25	2
136	MBS-1013CSD-136	.Spring Washer	M10	2
137	MBS-1013CSD-137	.Support		1
137-1	MBS-1013CSD-137-1	.Hex. Socket Cap Screw	M5X8	4
138	MBS-1013CSD-138	.Control Box Bottom Part		1
139	MBS-1013CSD-139	.Control Box Panel		1
139-1	MBS-1013CSD-139-1	.Blade Speed Indicator		1
139-2	MBS-1013CSD-139-2	.Hex. Socket Cap Screw	M4	2
139-3	MBS-1013CSD-139-3	.Round Head Screw	M5X8	4
140	MBS-1013CSD-140	.Manual / Auto Selector		1
141	MBS-1013CSD-141	.Blade Speed Knob		1
142	MBS-1013CSD-142	.Emergency Switch		1
143	MBS-1013CSD-143	.Main Connect Switch		1
144	MBS-1013CSD-144	.Start Push Button		1
145	MBS-1013CSD-145	.Indicator Light		1
146	MBS-1013CSD-146	.Control Box Bottom Plate		1
146-1	MBS-1013CSD-146-1	.Inverter		1
146-2	MBS-1013CSD-146-2	.Transformer		1
146-3	MBS-1013CSD-146-3	.Fuse	1A	1
146-4	MBS-1013CSD-146-4	.Relay		1
146-5	MBS-1013CSD-146-5	.Terminal Connector		1
146-6	MBS-1013CSD-146-6	.Hex. Socket Cap Screw	M5	4
146-7	MBS-1013CSD-146-7	.Grounding Plate		1
147	MBS-1013CSD-147	.Hex. Socket Cap Screw	M5X8	4
148	MBS-1013CSD-148	.Control Box Cover		1
149	MBS-1013CSD-149	.Supporting Bracket		1
149-1	MBS-1013CSD-149-1	.Shaft		1
150	MBS-1013CSD-150	.Set Screw	M8x10	1
150-1	MBS-1013CSD-150-1	.Hex. Socket Cap Screw	M8x20	4
150-2	MBS-1013CSD-150-2	.Spring Washer	M8	4
286A	MBS-1013CSD-286A	.Lead Screw		1
286-1	MBS-1013CSD-286-1	.Spring		1
286-2	MBS-1013CSD-286-2	.Hex. Socket Cap Screw	M8x16	1
286-3	MBS-1013CSD-286-3	.Washer	M8	1

**MBS-1013CSD Swivel & Base Assembly**

<b>Index No.</b>	<b>Part No.</b>	<b>Description</b>	<b>Size</b>	<b>Qty</b>
287	MBS-1013CSD-287	Setting Seat		1
288	MBS-1013CSD-288	Lead Screw Seat		1
289	MBS-1013CSD-289	Bearing Bushing		1
289-1	MBS-1013CSD-289-1	Ball Bearing	51104	1
289-2	MBS-1013CSD-289-2	Nut		1
289-3	MBS-1013CSD-289-3	Set Screw	M5x5	1

# MBS-1013CSD Bow Assembly





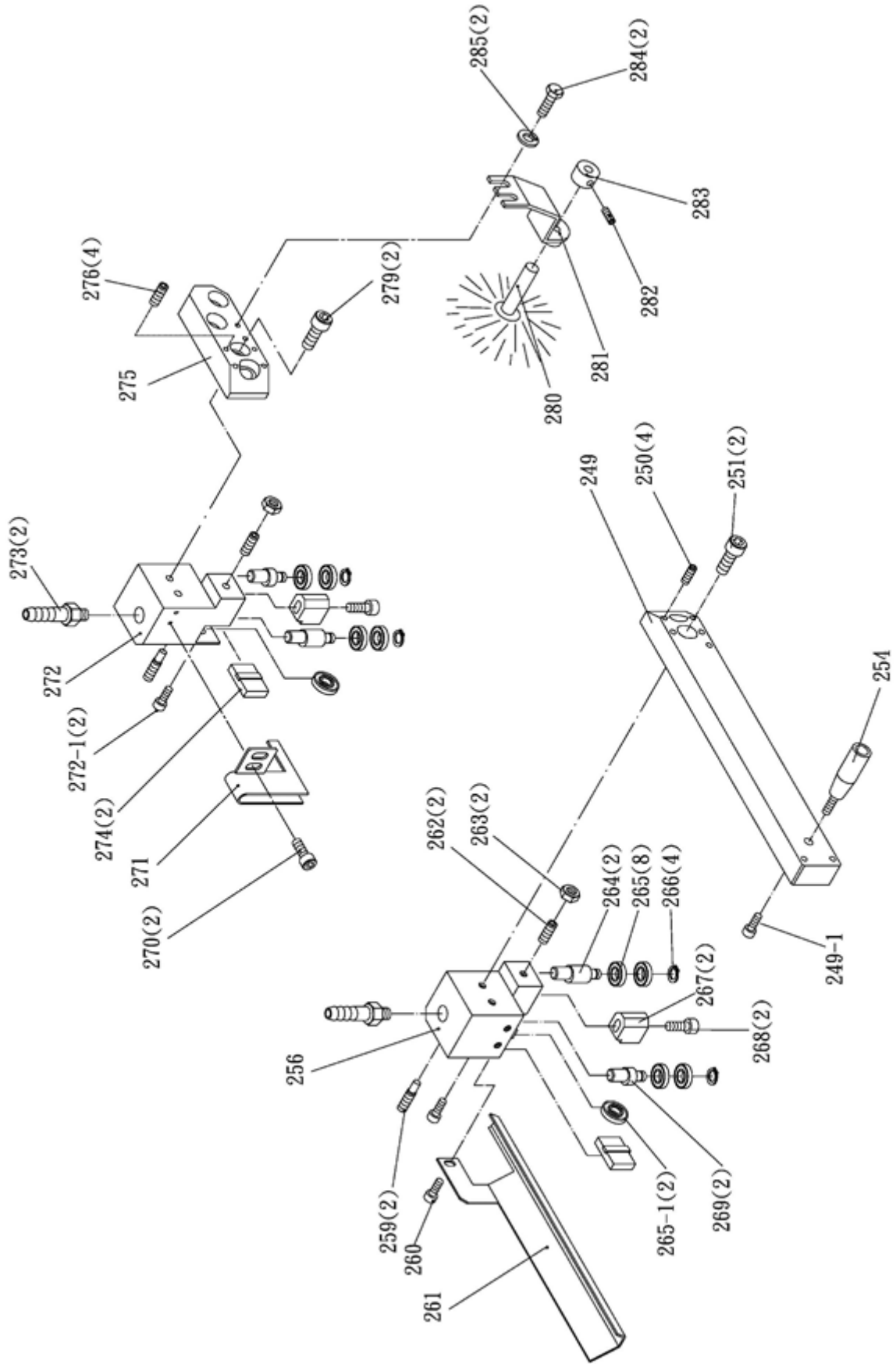
## MBS-1013CSD Bow Assembly

Index No.	Part No.	Description	Size	Qty
151	MBS-1013CSD-151	Reduction Unit		1
151-1	MBS-1013CSD-151-1	Vent Screw		1
152	MBS-1013CSD-152	Key	8x8x30	1
153	MBS-1013CSD-153	Hex. Cap Bolt	M8x25	4
153-1	MBS-1013CSD-153-1	Spring Washer	M8	4
154	MBS-1013CSD-154	Motor		1
154-1	MBS-1013CSD-154-1	Junction Box		1
155	MBS-1013CSD-155	Key	8x7x35	1
186	MBS-1013CSD-186	Hex. Socket Cap Screw	M10x35	4
186-1	MBS-1013CSD-186-1	Spring Washer	M10	4
193B	MBS-1013CSD-193B	Saw Arm		1
193-1	MBS-1013CSD-193-1	Set Screw	M8x10	2
194	MBS-1013CSD-194	Hex. Socket Cap Screw	M10x35	4
194-1	MBS-1013CSD-194-1	Spring Washer	M10	4
195	MBS-1013CSD-195	Limit Switch		1
195-1	MBS-1013CSD-195-1	Switch Pin		1
196	MBS-1013CSD-196	Hex. Socket Cap Screw	M4x35	2
197	MBS-1013CSD-197	Hex. Socket Cap Screw	M10x35	4
197-1	MBS-1013CSD-197-1	Spring Washer	M10	4
198A	MBS-1013CSD-198A	T Connector		1
199	MBS-1013CSD-199	Hex. Socket Cap Screw	M5x16	2
200	MBS-1013CSD-200	Coolant Switch		2
201	MBS-1013CSD-201	Hose Clamp	13mm	1
203	MBS-1013CSD-203	Pipe Fitting	1/4Px5/16	1
204	MBS-1013CSD-204	Hose	5/16"x40cm	1
205	MBS-1013CSD-205	Hose	5/16"x90cm	1
206	MBS-1013CSD-206	Drive Flywheel		1
207	MBS-1013CSD-207	Washer		1
207-1	MBS-1013CSD-207-1	Spring Washer	M10	1
208	MBS-1013CSD-208	Hex. Cap Bolt	M10x25	1
209A	MBS-1013CSD-209A	Idle Flywheel Shaft		1
210	MBS-1013CSD-210	Roller Bearing	32007	2
211	MBS-1013CSD-211	Idle Flywheel		1
212	MBS-1013CSD-212	Star Washer	M35	1
212-1	MBS-1013CSD-212-1	Anti-dust Cover	M35	2
213	MBS-1013CSD-213	Jam Nut	M35	1
214	MBS-1013CSD-214	Oil Inlet	1/16"	1
215A	MBS-1013CSD-215A	Saw Blade		1
216B	MBS-1013CSD-216B	Blade Cover		1
216A-1	MBS-1013CSD-216A-1	Extension		1
216A-2	MBS-1013CSD-216A-2	Round Head Screw	M6x8	2
217	MBS-1013CSD-217	Plum Screw	M6x10	4
219	MBS-1013CSD-219	Round Head Screw	M4x8	2
220	MBS-1013CSD-220	Nut	M4	2
222	MBS-1013CSD-222	Handle		2
223	MBS-1013CSD-223	Handle Wheel		1
223-1	MBS-1013CSD-223-1	Thrust Bearing	51103	1
223-2	MBS-1013CSD-223-2	Blade Tension Gauge		1
224	MBS-1013CSD-224	Special Spring Washer		10
225	MBS-1013CSD-225	Tension Shaft		1
229	MBS-1013CSD-229	Plate		1
230	MBS-1013CSD-230	Hex. Socket Cap Screw	M6x12	2
230-1	MBS-1013CSD-230-1	Washer	M6	2
231	MBS-1013CSD-231	Limit Switch		1
232	MBS-1013CSD-232	Hex. Socket Cap Bolt	M4x25	2
239	MBS-1013CSD-239	Nut	M16	1
240A	MBS-1013CSD-240A	Slide Bracket		1
240A-1	MBS-1013CSD-240A-1	Spring Washer	M10	3
240A-2	MBS-1013CSD-240A-2	Hex. Socket Cap Screw	M10x45	3
240A-3	MBS-1013CSD-240A-3	Set Screw	M10x25	1

### MBS-1013CSD Bow Assembly

Index No.	Part No.	Description	Size	Qty
244	MBS-1013CSD-244	Cover Plate		1
245	MBS-1013CSD-245	Hex. Socket Cap Screw	M6x8	2
246	MBS-1013CSD-246	Gib		2
247	MBS-1013CSD-247	Spring Washer	M8	6
248	MBS-1013CSD-248	Hex. Socket Cap Screw	M8x20	6
252	MBS-1013CSD-252	Setting Bracket		1
253	MBS-1013CSD-253	Hex. Socket Cap Screw	M12x50	1
277	MBS-1013CSD-277	Hex. Socket Cap Screw	M10x20	2
291	HS201402	Head Lever Handgrip		1
292	MBS-1013CSD-292	Pipe		1
292-1	MBS-1013CSD-292-1	Nut	M16	1
293	MBS-1013CSD-293	Nut	M12	1
294	MBS-1013CSD-294	Spring Hook		1
295	MBS-1013CSD-295	Spring		1
296	MBS-1013CSD-296	Spring Seat		1
297	MBS-1013CSD-297	Spring Bushing		1
298	MBS-1013CSD-298	C-Ring	S-12	4
298-1	MBS-1013CSD-298-1	Washer	M10	2
299	MBS-1013CSD-299	Shaft		1
300	MBS-1013CSD-300	Pin		1
301	MBS-1013CSD-301	Hollow Pin	2.5x16	1
302	MBS-1013CSD-302	Spring		1
303	MBS-1013CSD-303	Fork		1
304	MBS-1013CSD-304	Nut	M10	1
305	MBS-1013CSD-305	Adjusting Bracket		1
306	MBS-1013CSD-306	Shaft		1
307	MBS-1013CSD-307	Knob		1
307-1	MBS-1013CSD-307-1	Bushing		1
308	MBS-1013CSD-308	Shaft		1
309	MBS-1013CSD-309	Arm		1
310	MBS-1013CSD-310	C-Ring	S-12	2
311	MBS-1013CSD-311	Hex. Socket Cap Screw	M10x25	1
312	MBS-1013CSD-312	Spring Washer	M10	1
313	MBS-1013CSD-313	Post		1
314	MBS-1013CSD-314	Set Screw	M10x16	3
315	MBS-1013CSD-315	Hydraulic Cylinder Post		1
316	MBS-1013CSD-316	Spring Washer	M8	4
317	MBS-1013CSD-317	Hex. Socket Cap Screw	M8x25	4
318	MBS-1013CSD-318	Round Head Screw	M5X10	2
319	MBS-1013CSD-319	Limit Switch		1
320	MBS-1013CSD-320	Hex. Socket Cap Screw	M6X8	2
320-1	MBS-1013CSD-320-1	Washer	M6	2
321A	MBS-1013CSD-321A	Adjusting Bracket		1
322A	MBS-1013CSD-322A	Hydraulic Cylinder		1
323	MBS-1013CSD-323	Hex. Socket Cap Screw	M10x40	1
324	MBS-1013CSD-324	Nut	M10	1

# MBS-1013CSD Bearing Guide Assembly



### MBS-1013CSD Bearing Guide Assembly

Index No.	Part No.	Description	Size	Qty
249	MBS-1013CSD-249	Blade Guide Movable Rod		1
249-1	MBS-1013CSD-249-1	Hex. Socket Cap Screw	M6x8	1
250	MBS-1013CSD-250	Set Screw	M6x12	4
251	MBS-1013CSD-251	Hex. Socket Cap Screw	M8x20	2
254	MBS-1013CSD-254	Handle		1
256	MBS-1013CSD-256	Guide Bracket		1
259	MBS-1013CSD-259	Bolt		2
260	MBS-1013CSD-260	Hex. Socket Cap Screw	M6x8	1
261	MBS-1013CSD-261	Blade Guard		1
262	MBS-1013CSD-262	Set Screw	M6x20	2
263	MBS-1013CSD-263	Nut	M6	2
264	MBS-1013CSD-264	Centric Shaft		2
265	MBS-1013CSD-265	Ball Bearing	608ZZ	8
265-1	MBS-1013CSD-265-1	Ball Bearing	608ZZ	2
266	MBS-1013CSD-266	E-Ring	E-7	4
267	MBS-1013CSD-267	Blade Guide		2
268	MBS-1013CSD-268	Hex. Socket Cap Screw	M6x25	2
269	MBS-1013CSD-269	Eccentric Shaft		2
270	MBS-1013CSD-270	Hex. Socket Cap Screw	M6x8	2
271	MBS-1013CSD-271	Blade Guard		1
272	MBS-1013CSD-272	Guide Bracket		1
272-1	MBS-1013CSD-272-1	Hex. Socket Cap Screw	M6x8	2
273	MBS-1013CSD-273	Pipe Fitting	1/4Px5/16	2
274	MBS-1013CSD-274	Blade Guide		2
275	MBS-1013CSD-275	Ball Bearing Bracket		1
276	MBS-1013CSD-276	Set Screw	M6x12	4
279	MBS-1013CSD-279	Hex. Socket Cap Screw	M8x20	2
280	MBS-1013CSD-280	Brush		1
281	MBS-1013CSD-281	Brush Clamp		1
282	MBS-1013CSD-282	Set Screw	M5x5	1
283	MBS-1013CSD-283	Set Bushing		1
284	MBS-1013CSD-284	Hex. Cap Screw	M6x12	2
285	MBS-1013CSD-285	Washer	M6x13x2	2

MBS-1013CSD...50000432T.... 3~400V, 50Hz

