



MBS-1824DAS

**MITER METALWORKING
BANDSAW**

MBS-1824DAS...ITA1824DAS 3~400V, 50Hz

PARTS LIST

Walter Meier (Tool) AG

Tämperlistrasse 5

CH-8117 Fällanden

Switzerland

Phone +41 44 806 47 48

Fax +41 44 806 47 58

jetinfo.eu@waltermeier.com

www.jettools.com

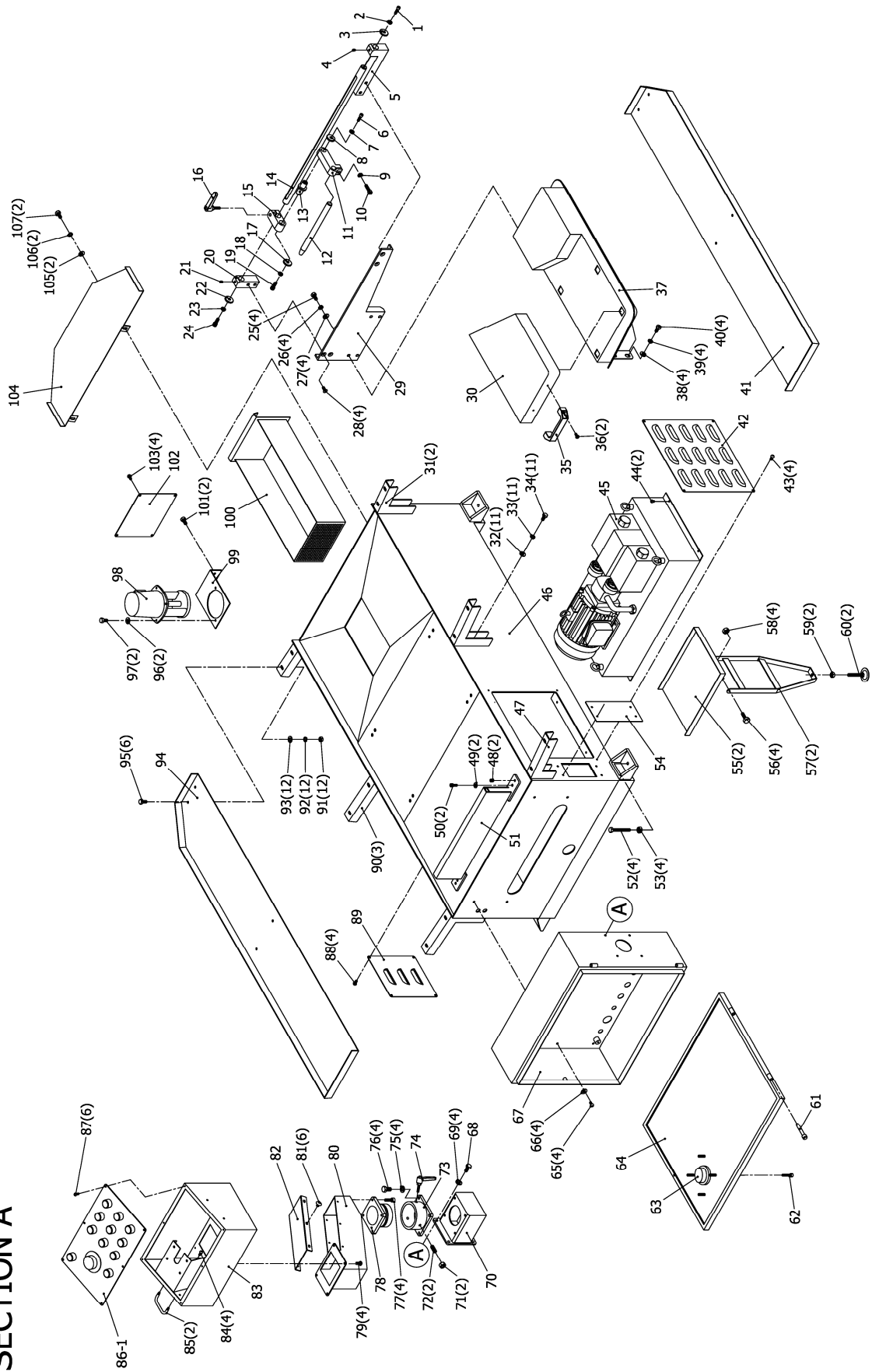
P-ITA1824DAS

2013-02

MBS-1824DAS Stand Assembly

1020123-V2

SECTION A



MBS-1824DAS Stand Assembly

Index No.	Part No.	Description	Size	Qty
1	MBS1824DAS-A1	Hex. Socket Cap Screw	3/8"x1"L	1
2	MBS1824DAS-A2	Spring Washer	3/8"	1
3	MBS1824DAS-A3	Washer		1
4	MBS1824DAS-A4	Set Screw	5/16"x5/16"L	1
5	MBS1824DAS-A5	Position Bracket (L)		1
6	MBS1824DAS-A6	Hex. Socket Cap Screw	3/8"x1"L	1
7	MBS1824DAS-A7	Spring Washer	3/8"	1
8	MBS1824DAS-A8	Washer		1
9	MBS1824DAS-A9	Spring Washer	3/8"	1
10	MBS1824DAS-A10	Hex. Socket Cap Screw	3/8"x1"L	1
11	MBS1824DAS-A11	Shaft Bracket		1
12	MBS1824DAS-A12	Upper Shaft		1
13	MBS1824DAS-A13	Shaft		1
14	MBS1824DAS-A14	Length Scale Rod		1
15	MBS1824DAS-A15	Adjusting Block		1
16	MBS1824DAS-A16	Locking Handle		1
17	MBS1824DAS-A17	Washer		1
18	MBS1824DAS-A18	Spring Washer	3/8"	1
19	MBS1824DAS-A19	Hex. Socket Cap Screw	3/8"x1"L	1
20	MBS1824DAS-A20	Position Bracket (R)		1
21	MBS1824DAS-A21	Set Screw	5/16"x5/16"L	1
22	MBS1824DAS-A22	Washer		1
23	MBS1824DAS-A23	Spring Washer	3/8"	1
24	MBS1824DAS-A24	Hex. Socket Cap Screw	3/8"x1"L	1
25	MBS1824DAS-A25	Hex. Cap Bolt	M10x25L	4
26	MBS1824DAS-A26	Spring Washer	M10	4
27	MBS1824DAS-A27	Washer	M10	4
28	MBS1824DAS-A28	Flat Head Screw	5/16"x3/4"L	4
29	MBS1824DAS-A29	Outlet Side Plate		1
30	MBS1824DAS-A30	Removable Retrieval Plate		1
31	MBS1824DAS-A31	Fixing Bracket		2
32	MBS1824DAS-A32	Washer	M8	11
33	MBS1824DAS-A33	Spring Washer	M8	11
34	MBS1824DAS-A34	Hex. Cap Bolt	M8x20L	11
35	MBS1824DAS-A35	Handle		1
36	MBS1824DAS-A36	Big Round Head Screw	M6x12L	2
37	MBS1824DAS-A37	Retrieval Table		1
38	MBS1824DAS-A38	Washer	M12	4
39	MBS1824DAS-A39	Spring Washer	M12	4
40	MBS1824DAS-A40	Hex. Cap Bolt	M12x25L	4
41	MBS1824DAS-A41	Coolant Tray		1
42	MBS1824DAS-A42	Cover		1
43	MBS1824DAS-A43	Button Head Socket Screw	M6x8L	4
44	MBS1824DAS-A44	Hex. Socket Cap Screw	M6x12L	2
45	MBS1824DAS-A45	Hydraulic Unit		1
46	MBS1824DAS-A46	Machine Base		1
47	MBS1824DAS-A47	Supporting Bracket		1
48	MBS1824DAS-A48	Set Screw	M8x12L	2
49	MBS1824DAS-A49	Spring Washer	M8	2
50	MBS1824DAS-A50	Hex. Socket Cap Screw	M8x16L	2
51	MBS1824DAS-A51	Position Bracket		1
52	MBS1824DAS-A52	Hex. Cap Bolt	M16x60L	4
53	MBS1824DAS-A53	Nut	M16	4
54	MBS1824DAS-A54	Cover		1
55	MBS1824DAS-A55	Movable Coolant Tray		2
56	MBS1824DAS-A56	Hex. Cap Bolt	M6x12L	4
57	MBS1824DAS-A57	Bracket		2
58	MBS1824DAS-A58	Nut	M6	4
59	MBS1824DAS-A59	Nut	1/2"	2

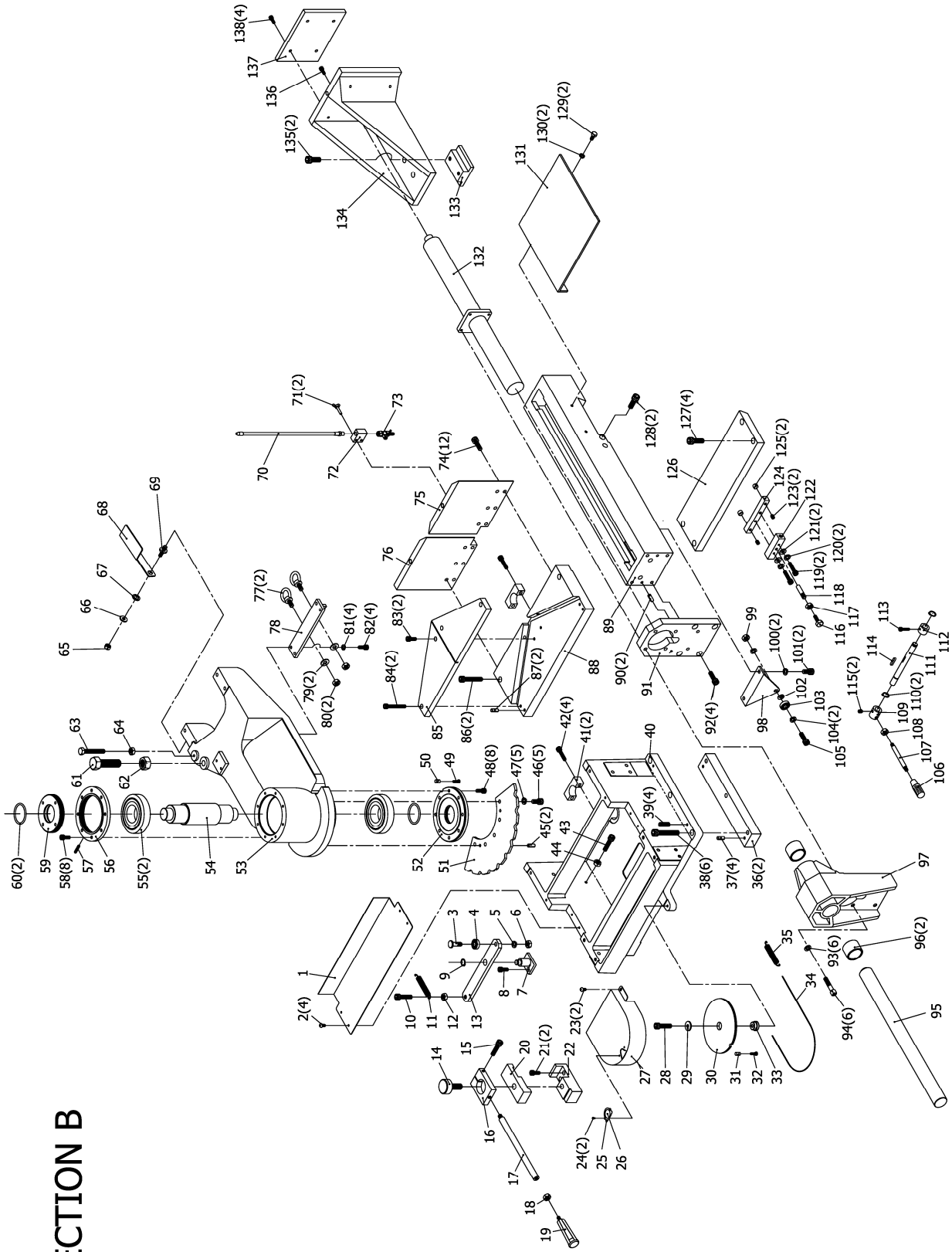
MBS-1824DAS Stand Assembly

Index No.	Part No.	Description	Size	Qty
60	MBS1824DAS-A60	Adjusting Bolt		2
61	MBS1824DAS-A61	Door Pin		2
62	MBS1824DAS-A62	Hex. Socket Cap Screw	M6x30L	1
63	MBS1824DAS-A63	Power Switch		1
64	MBS1824DAS-A64	Electric Box Cover		1
65	MBS1824DAS-A65	Hex. Socket Cap Screw	M6x8L	4
66	MBS1824DAS-A66	Spring Washer	M6x8L	4
67	MBS1824DAS-A67	Electric Box (Swivel)		1
68	MBS1824DAS-A68	Hex. Cap Bolt	M8x16L	4
69	MBS1824DAS-A69	Spring Washer	M8	4
70	MBS1824DAS-A70	Fixing Bracket		1
71	MBS1824DAS-A71	Nut	M6	2
72	MBS1824DAS-A72	Set Screw	M6x30L	2
73	MBS1824DAS-A73	Shaft Bushing		1
74	MBS1824DAS-A74	Locking Handle	M8x30L	1
75	MBS1824DAS-A75	Spring Washer	M8	4
76	MBS1824DAS-A76	Hex. Cap Bolt	M8x16L	4
77	MBS1824DAS-A77	Hex. Cap Bolt	M6x16L	4
78	MBS1824DAS-A78	Swiveling Shaft		1
79	MBS1824DAS-A79	Button Head Socket Screw	M6x8L	4
80	MBS1824DAS-A80	Swiveling Bracket		1
81	MBS1824DAS-A81	Big Round Head Screw	M6x8L	6
82	MBS1824DAS-A82	Cover		1
83	MBS1824DAS-A83	Operation Box		1
84	MBS1824DAS-A84	Button Head Socket Screw	M5x8L	4
85	MBS1824DAS-A85	Handle		2
86-1	MBS1824DAS-A86-1	Control Panel		1
87	MBS1824DAS-A87	Button Head Socket Screw	M5x8L	6
88	MBS1824DAS-A88	Button Head Socket Screw	M6x8L	4
89	MBS1824DAS-A89	Hydraulic Rear Cover		1
90	MBS1824DAS-A90	Fixing Bracket		3
91	MBS1824DAS-A91	Nut	M8	12
92	MBS1824DAS-A92	Spring Washer	M8	12
93	MBS1824DAS-A93	Washer	M8	12
94	MBS1824DAS-A94	Coolant Plate (L)		1
95	MBS1824DAS-A95	Hex. Cap Bolt	M8x20L	12
96	MBS1824DAS-A96	Hex. Cap Bolt	M6x12L	2
97	MBS1824DAS-A97	Spring Washer	M6	2
98	MBS1824DAS-A98	Coolant Pump	1/6"x150L	1
99	MBS1824DAS-A99	Fixing Plate		1
100	MBS1824DAS-A100	Chip Box		1
101	MBS1824DAS-A101	Button Head Socket Screw	M6x12L	2
102	MBS1824DAS-A102	Cover		1
103	MBS1824DAS-A103	Button Head Socket Screw	M6x8L	4
104	MBS1824DAS-A104	Coolant Plate (Rear)		1
105	MBS1824DAS-A105	Washer	M8	2
106	MBS1824DAS-A106	Spring Washer	M8	2
107	MBS1824DAS-A107	Hex. Cap Bolt	M8x16L	2

MBS-1824DAS Rotary Mechanism Assembly

1000710-VI

SECTION B



MBS-1824DAS Rotary Mechanism Assembly

Index No.	Part No.	Description	Size	Qty
1	MBS1824DAS-B1	Cover Plate		1
2	MBS1824DAS-B2	Button Head Socket Screw	M5x8L	4
3	MBS1824DAS-B3	Cam Shaft		1
4	MBS1824DAS-B4	Bearing	6000	1
5	MBS1824DAS-B5	Spring Washer	M10	1
6	MBS1824DAS-B6	Nut	M10	1
7	MBS1824DAS-B7	Cam Bracket		1
8	MBS1824DAS-B8	Hex. Socket Cap Screw	M8x25L	2
9	MBS1824DAS-B9	C Ring	S16	1
10	MBS1824DAS-B10	Hex. Socket Cap Screw	M10x40L	1
11	MBS1824DAS-B11	Cam Spring		1
12	MBS1824DAS-B12	Nut	M10	1
13	MBS1824DAS-B13	Connecting Plate		1
14	MBS1824DAS-B14	Locking Bolt		1
15	MBS1824DAS-B15	Hex. Socket Cap Screw	M10x50L	1
16	MBS1824DAS-B16	Connecting Block		1
17	MBS1824DAS-B17	Locking Rod		1
18	MBS1824DAS-B18	Nut	M12	1
19	MBS1824DAS-B19	Rubber Handle		1
20	MBS1824DAS-B20	Brake Plate		1
21	MBS1824DAS-B21	Hex. Socket Cap Screw	M8x20L	2
22	MBS1824DAS-B22	Brake Bracket		1
23	MBS1824DAS-B23	Button Head Socket Screw	M6x8L	2
24	MBS1824DAS-B24	Hex. Socket Cap Screw	M4x6L	2
25	MBS1824DAS-B25	Magnifier Holder		1
26	MBS1824DAS-B26	Angle Magnifier		1
27	MBS1824DAS-B27	Cover		1
28	MBS1824DAS-B28	Hex. Socket Cap Screw	M10x40L	1
29	MBS1824DAS-B29	Washer	M10	1
30	MBS1824DAS-B30	Center Wheel		1
31	MBS1824DAS-B31	Wire Fastener		1
32	MBS1824DAS-B32	Hex. Cap Bolt	M5x15L	1
33	MBS1824DAS-B33	Bushing		1
34	MBS1824DAS-B34	Steel Rope		1
35	MBS1824DAS-B35	Angle Spring		1
36	MBS1824DAS-B36	Plate		2
37	MBS1824DAS-B37	Spring Pin	8x20L	4
38	MBS1824DAS-B38	Hex. Socket Cap Screw	M12x130L	6
39	MBS1824DAS-B39	Set Screw	M12x25L	4
40	MBS1824DAS-B40	Table		1
41	MBS1824DAS-B41	Fixing Block		2
42	MBS1824DAS-B42	Hex. Socket Cap Screw	M10x35L	4
43	MBS1824DAS-B43	Hex. Socket Cap Screw	M10x40L	1
44	MBS1824DAS-B44	Nut	M10	1
45	MBS1824DAS-B45	Spring Pin	8x20L	2
46	MBS1824DAS-B46	Hex. Socket Cap Screw	M10x20L	5
47	MBS1824DAS-B47	Spring Washer	M10	5
48	MBS1824DAS-B48	Hex. Socket Cap Screw	M8x20L	8
49	MBS1824DAS-B49	Hex. Cap Bolt	M5x15L	1
50	MBS1824DAS-B50	Wire Fastener		1
51	MBS1824DAS-B51	Position Plate		1
52	MBS1824DAS-B52	Lower Cover		1
53	MBS1824DAS-B53	Swiveling		1
54	MBS1824DAS-B54	Swiveling Shaft		1
55	MBS1824DAS-B55	Bearing	30312	2
56	MBS1824DAS-B56	Upper Cover		1
57	MBS1824DAS-B57	Set Screw	M6x25L	1

MBS-1824DAS Rotary Mechanism Assembly

Index No.	Part No.	Description	Size	Qty
58	MBS1824DAS-B58	Hex. Socket Cap Screw	M8x20L	8
59	MBS1824DAS-B59	Tighten Plate		1
60	MBS1824DAS-B60	Oil Ring	P60	2
61	MBS1824DAS-B61	Hex. Cap Bolt	M20x65L	1
62	MBS1824DAS-B62	Nut	M20	1
63	MBS1824DAS-B63	Hex. Cap Bolt	M10x60L	1
64	MBS1824DAS-B64	Nut	M10	1
65	MBS1824DAS-B65	Nylon Nut	M10	1
66	MBS1824DAS-B66	Washer		1
67	MBS1824DAS-B67	Washer		1
68	MBS1824DAS-B68	Position Adjusting Plate		1
69	MBS1824DAS-B69	Position Bolt		1
70	MBS1824DAS-B70	Hose	SP103 1/4"x18"	1
71	MBS1824DAS-B71	Wing Screw	M6x30L	2
72	MBS1824DAS-B72	Hose Seat		1
73	MBS1824DAS-B73	Coolant Switch		1
74	MBS1824DAS-B74	Hex. Socket Cap Screw	M10x30L	12
75	MBS1824DAS-B75	Attached Plate (R)		1
76	MBS1824DAS-B76	Attached Plate (L)		1
77	MBS1824DAS-B77	Screw Holder	1/2"x50L	2
78	MBS1824DAS-B78	Lower Bracket		1
79	MBS1824DAS-B79	Washer	1/2"	2
80	MBS1824DAS-B80	Nut	1/2"	2
81	MBS1824DAS-B81	Spring Washer	M8	4
82	MBS1824DAS-B82	Hex. Socket Cap Screw	M8x25L	4
83	MBS1824DAS-B83	Hex. Socket Cap Screw	M8x20L	2
84	MBS1824DAS-B84	Hex. Socket Cap Screw	M10x55L	2
85	MBS1824DAS-B85	Angle Cutting Table		1
86	MBS1824DAS-B86	Hex. Socket Cap Screw	M10x60L	2
87	MBS1824DAS-B87	Spring Pin	8x20L	2
88	MBS1824DAS-B88	Cutting Platform		1
89	MBS1824DAS-B89	Vise		1
90	MBS1824DAS-B90	Spring Pin	8x20L	2
91	MBS1824DAS-B91	Position Plate		1
92	MBS1824DAS-B92	Hex. Socket Cap Screw	M12x35L	4
93	MBS1824DAS-B93	Spring Washer	M10	6
94	MBS1824DAS-B94	Hex. Socket Cap Screw	M10x40L	6
95	MBS1824DAS-B95	Upper Shaft		1
96	MBS1824DAS-B96	Oilless Bearing	45x55x40	2
97	MBS1824DAS-B97	Central Bracket		1
98	MBS1824DAS-B98	Supporting Bracket		1
99	MBS1824DAS-B99	Nut	M10	1
100	MBS1824DAS-B100	Spring Washer	M10	1
101	MBS1824DAS-B101	Hex. Socket Cap Screw	M10x16L	2
102	MBS1824DAS-B102	Washer	M10	1
103	MBS1824DAS-B103	Bearing	6200	1
104	MBS1824DAS-B104	Spring Washer	M10	2
105	MBS1824DAS-B105	Hex. Socket Cap Screw	M10x30L	1
106	MBS1824DAS-B106	Long Handle		1
107	MBS1824DAS-B107	Locking Arm		1
108	MBS1824DAS-B108	Nut	M10	1
109	MBS1824DAS-B109	Locking Cam		1
110	MBS1824DAS-B110	C Ring	S17	2
111	MBS1824DAS-B111	Locking Shaft		1
112	MBS1824DAS-B112	Locking Wheel		1
113	MBS1824DAS-B113	Hex. Socket Cap Screw	M6x16L	1
114	MBS1824DAS-B114	Key	5x5x20	1
115	MBS1824DAS-B115	Set Screw	M8x8L	2
116	MBS1824DAS-B116	Hex. Cap Steel Screw	M6x16L	1
117	MBS1824DAS-B117	Nut	M6	1
118	MBS1824DAS-B118	Position Shaft		1

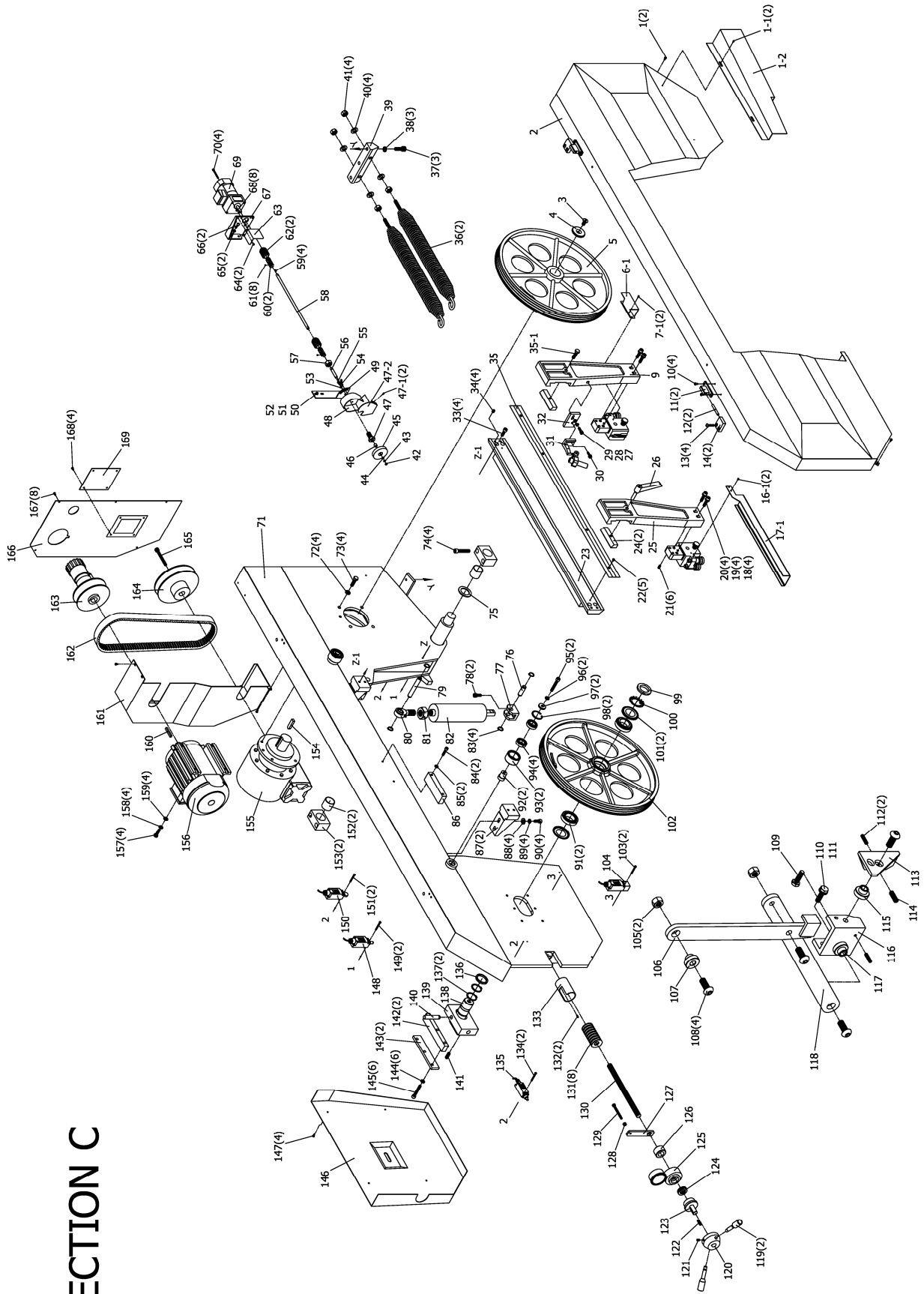
MBS-1824DAS Rotary Mechanism Assembly

Index No.	Part No.	Description	Size	Qty
119	MBS1824DAS-B119	Hex. Socket Cap Screw	M8x40L	2
120	MBS1824DAS-B120	Spring Washer	M8	2
121	MBS1824DAS-B121	Washer	M8	2
122	MBS1824DAS-B122	Vise Position Block		1
123	MBS1824DAS-B123	Set Screw	M8x8L	2
124	MBS1824DAS-B124	Vise Locking Block		1
125	MBS1824DAS-B125	Attached Copper		1
126	MBS1824DAS-B126	Guide Plate		1
127	MBS1824DAS-B127	Hex. Socket Cap Screw	M12x35L	4
128	MBS1824DAS-B128	Hex. Socket Cap Screw	M12x30L	2
129	MBS1824DAS-B129	Hex. Cap Bolt	M8x20L	2
130	MBS1824DAS-B130	Spring Washer	M8	2
131	MBS1824DAS-B131	Table Plate		1
132	MBS1824DAS-B132	Front Vise Cylinder		1
133	MBS1824DAS-B133	Position Block		1
134	MBS1824DAS-B134	Front Vise		1
135	MBS1824DAS-B135	Hex. Socket Cap Screw	M12x30L	2
136	MBS1824DAS-B136	Hex. Socket Cap Screw	M8x20L	1
137	MBS1824DAS-B137	Attached Plate		1
138	MBS1824DAS-B138	Hex. Socket Cap Screw	M8x20L	4

MBS-1824DAS Bow Assembly

1020123-V2

SECTION C



MBS-1824DAS Bow Assembly

Index No.	Part No.	Description	Size	Qty
1	MBS1824DAS-C1	Button Head Socket Screw	M6x8L	2
1-1	MBS1824DAS-C1-1	Button Head Socket Screw	M5x8L	2
1-2	MBS1824DAS-C1-2	Cover		1
2	MBS1824DAS-C2	Wheel Cover		1
3	MBS1824DAS-C3	Flat Head Screw	M12x25L	1
4	MBS1824DAS-C4	Driver Wheel Washer		1
5	MBS1824DAS-C5	Driver Wheel		1
6-1	MBS1824DAS-C6-1	Blade Guard		1
7-1	MBS1824DAS-C7-1	Button Head Socket Screw	M5x8L	2
9	MBS1824DAS-C9	Guide Post (R)		1
10	MBS1824DAS-C10	Button Head Socket Screw	M6x16L	4
11	MBS1824DAS-C11	Cover Latch		2
12	MBS1824DAS-C12	Pin	8x70L	2
13	MBS1824DAS-C13	Button Head Socket Screw	M8x30	4
14	MBS1824DAS-C14	Latch Block		2
16-1	MBS1824DAS-C16-1	Button Head Socket Screw	M5x8L	2
17-1	MBS1824DAS-C17-1	Blade Guard		1
18	MBS1824DAS-C18	Hex. Socket Cap Screw	M10x35L	4
19	MBS1824DAS-C19	Washer	M10	4
20	MBS1824DAS-C20	Spring Washer	M10	4
21	MBS1824DAS-C21	Set Screw	M8x16L	6
22	MBS1824DAS-C22	Round Head Screw	M5x8L	5
23	MBS1824DAS-C23	Guide Plate		1
24	MBS1824DAS-C24	Locking Block		2
25	MBS1824DAS-C25	Guide Post (L)		1
26	MBS1824DAS-C26	Locking Handle	M12x50L	1
27	MBS1824DAS-C27	Hex. Socket Cap Screw	M5x15L	1
28	MBS1824DAS-C28	Spring Washer	M5	1
29	MBS1824DAS-C29	Washer	M5	1
30	MBS1824DAS-C30	Round Head Screw	M6x12L	1
31	MBS1824DAS-C31	Laser Device Set		1
32	MBS1824DAS-C32	Laser Bracket		1
33	MBS1824DAS-C33	Hex. Socket Cap Screw	M10x20L	4
34	MBS1824DAS-C34	Set Screw	M10x16L	4
35	MBS1824DAS-C35	Metal Scale		1
35-1	MBS1824DAS-C35-1	Hex. Cap Steel Screw	M12x50L	1
36	MBS1824DAS-C36	Spring	9.0x56x54N	2
37	MBS1824DAS-C37	Hex. Socket Cap Screw	M10x25L	3
38	MBS1824DAS-C38	Spring Washer	M10	3
39	MBS1824DAS-C39	Upper Bracket		1
40	MBS1824DAS-C40	Washer	1/2"	4
41	MBS1824DAS-C41	Nut	1/2"	4
42	MBS1824DAS-C42	Nut	M6	1
43	MBS1824DAS-C43	Spring Washer	M6	1
44	MBS1824DAS-C44	Washer	M6	1
45	MBS1824DAS-C45	Brush		1
46	MBS1824DAS-C46	Oilless Bush	1212	2
47	MBS1824DAS-C47	Shaft Bushing		1
47-1	MBS1824DAS-C47-1	Button Head Socket Screw	M5x8L	2
47-2	MBS1824DAS-C47-2	Cover		1
48	MBS1824DAS-C48	Brush Cover		1
49	MBS1824DAS-C49	Fixing Bracket		1
50	MBS1824DAS-C50	Hex. Cap Bolt	M8x20L	2
51	MBS1824DAS-C51	Spring Washer	M8	2
52	MBS1824DAS-C52	Washer	M8	2
53	MBS1824DAS-C53	Spring Washer	M6	1
54	MBS1824DAS-C54	Wing Screw	M6x10L	1
55	MBS1824DAS-C55	Hex. Socket Cap Screw	M6x20L	1
56	MBS1824DAS-C56	Brush Shaft		1
57	MBS1824DAS-C57	Nut	M20	1
58	MBS1824DAS-C58	Transformer Shaft		1

MBS-1824DAS Bow Assembly

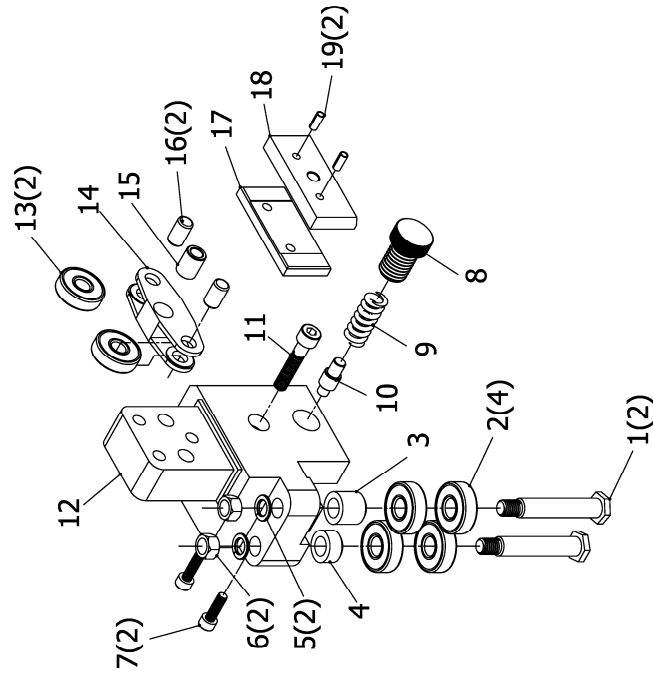
Index No.	Part No.	Description	Size	Qty
59	MBS1824DAS-C59	Key	4x15L	4
60	MBS1824DAS-C60	Universal Joint		2
61	MBS1824DAS-C61	Set Screw	M5x6L	8
62	MBS1824DAS-C62	Universal Joint Cover		2
63	MBS1824DAS-C63	Universal Joint Plate		1
64	MBS1824DAS-C64	Button Head Socket Screw	M5x8L	2
65	MBS1824DAS-C65	Chip Motor Bracket		1
66	MBS1824DAS-C66	Spring Washer	M8	1
67	MBS1824DAS-C67	Hex. Socket Cap Screw	M8x20L	1
68	MBS1824DAS-C68	Nut	M6	8
69	MBS1824DAS-C69	Chip Motor		1
70	MBS1824DAS-C70	Hex. Socket Cap Screw	M6x90L	4
71	MBS1824DAS-C71	Speed Sensor Bracket		1
72	MBS1824DAS-C72	Spring Washer	M12	4
73	MBS1824DAS-C73	Hex. Cap Steel Screw	M12x45L	4
74	MBS1824DAS-C74	Hex. Socket Cap Screw	M12x70L	4
75	MBS1824DAS-C75	Shaft Washer		1
76	MBS1824DAS-C76	Lower Shaft		1
77	MBS1824DAS-C77	Lower Bracket		1
78	MBS1824DAS-C78	Hex. Socket Cap Screw	M8x20L	2
79	MBS1824DAS-C79	Upper Shaft		1
80	MBS1824DAS-C80	Eye Bearing	POS16	1
81	MBS1824DAS-C81	Nut	M20xP1.5	1
82	MBS1824DAS-C82	Lift Cylinder		1
83	MBS1824DAS-C83	Ring	S20	4
84	MBS1824DAS-C84	Hex. Socket Cap Screw	M8x40L	2
85	MBS1824DAS-C85	Spring Washer	M8	2
86	MBS1824DAS-C86	Press Block		1
87	MBS1824DAS-C87	Support Plate		2
88	MBS1824DAS-C88	Washer	M10	4
89	MBS1824DAS-C89	Spring Washer	M10	4
90	MBS1824DAS-C90	Hex. Socket Cap Screw	M10x30L	4
91	MBS1824DAS-C91	Bearing	32009	2
92	MBS1824DAS-C92	Guide Roller Shaft		2
93	MBS1824DAS-C93	Guide Roller		2
94	MBS1824DAS-C94	Bearing	6005	4
95	MBS1824DAS-C95	Hex. Socket Cap Screw	M12x60L	2
96	MBS1824DAS-C96	Spring Washer	M12	2
97	MBS1824DAS-C97	Washer		2
98	MBS1824DAS-C98	Ring	R47	2
99	MBS1824DAS-C99	Nut	AN09	1
100	MBS1824DAS-C100	Teeth Washer	AW09	1
101	MBS1824DAS-C101	Shaft Cover	32009AV	2
102	MBS1824DAS-C102	Idle Wheel		1
103	MBS1824DAS-C103	Hex. Socket Cap Screw	M4x35L	2
104	MBS1824DAS-C104	Limit Switch	AZD-S11	1
105	MBS1824DAS-C105	Nut	M8	2
106	MBS1824DAS-C106	Short Bracket		1
107	MBS1824DAS-C107	Spacer		1
108	MBS1824DAS-C108	Button Head Socket Screw	M8x25L	4
109	MBS1824DAS-C109	Hex. Cap Bolt	M8x20L	1
110	MBS1824DAS-C110	Hex. Cap Bolt	M8x20L	1
111	MBS1824DAS-C111	Spring Washer	M8	1
112	MBS1824DAS-C112	Set Screw	M4x12L	2
113	MBS1824DAS-C113	Safe Locker		1
114	MBS1824DAS-C114	Spring		1
115	MBS1824DAS-C115	Spacer		1
116	MBS1824DAS-C116	Holding Bracket		1
117	MBS1824DAS-C117	Bracket Bush		1
118	MBS1824DAS-C118	Long Bracket		1

MBS-1824DAS Bow Assembly

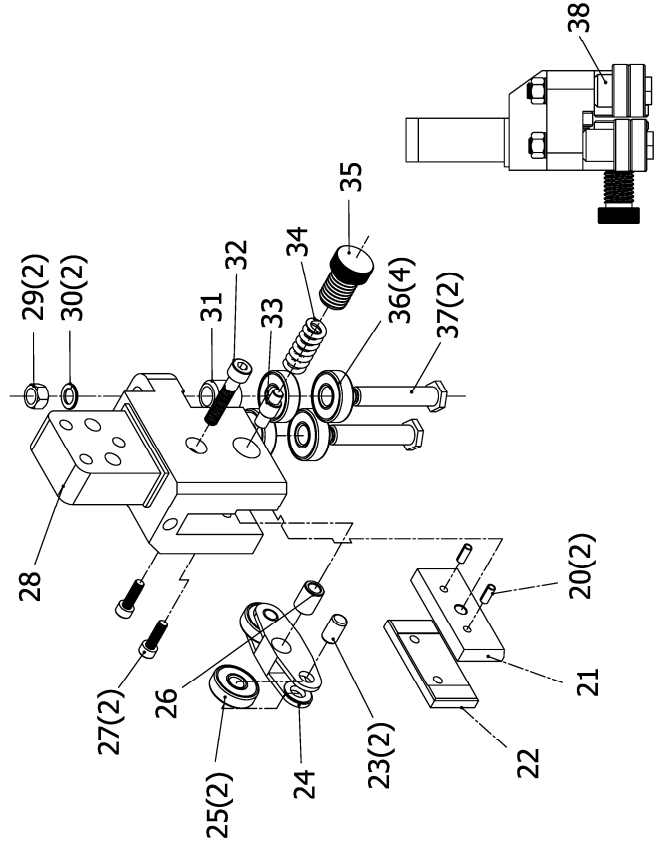
Index No.	Part No.	Description	Size	Qty
119	MBS1824DAS-C119	Handle		2
120	MBS1824DAS-C120	Handwheel		1
121	MBS1824DAS-C121	Set Screw	M8x10L	1
122	MBS1824DAS-C122	Key	5x5x30L	1
123	MBS1824DAS-C123	Lead Screw Bushing		1
124	MBS1824DAS-C124	Bearing	51203	1
125	MBS1824DAS-C125	Blade Tension Gauge		1
126	MBS1824DAS-C126	Screw Bushing		1
127	MBS1824DAS-C127	Plate		1
128	MBS1824DAS-C128	Nut	M8	1
129	MBS1824DAS-C129	Hex. Cap Bolt	M8x60L	1
130	MBS1824DAS-C130	Lead Screw		1
131	MBS1824DAS-C131	Disc Spring	502225	8
132	MBS1824DAS-C132	Spring Pin	5x12L	2
133	MBS1824DAS-C133	Spring Bush		1
134	MBS1824DAS-C134	Hex. Socket Cap Screw	M4x35L	2
135	MBS1824DAS-C135	Limit Switch	AZD-1001T	1
136	MBS1824DAS-C136	Idle Wheel Washer		1
137	MBS1824DAS-C137	Ring	S45	2
138	MBS1824DAS-C138	Idle Wheel Shaft Set		1
139	MBS1824DAS-C139	Slide		1
140	MBS1824DAS-C140	Pin	16x90L	1
141	MBS1824DAS-C141	Set Screw	M12x25L	1
142	MBS1824DAS-C142	Slide Guide		2
143	MBS1824DAS-C143	Slide Plate		2
144	MBS1824DAS-C144	Spring Washer	M10	6
145	MBS1824DAS-C145	Hex. Socket Cap Screw	M10x60L	6
146	MBS1824DAS-C146	Idle Wheel Cover		1
147	MBS1824DAS-C147	Button Head Socket Screw	M6x8L	4
148	MBS1824DAS-C148	Limit Switch	AZD-1001T	1
149	MBS1824DAS-C149	Hex. Socket Cap Screw	M4x35L	2
150	MBS1824DAS-C150	Limit Switch	ED-1-3-32	1
151	MBS1824DAS-C151	Hex. Socket Cap Screw	M4x35L	2
152	MBS1824DAS-C152	Oilless Bearing	4040	2
153	MBS1824DAS-C153	Spacer		2
154	MBS1824DAS-C154	Key	14x9x50	1
155	MBS1824DAS-C155	Gear Reducer	120#1/40	1
156	MBS1824DAS-C156	Motor	5HP	1
157	MBS1824DAS-C157	Hex. Cap Bolt	M10x35L	4
158	MBS1824DAS-C158	Spring Washer	M10	4
159	MBS1824DAS-C159	Washer	M10	4
160	MBS1824DAS-C160	Key	10x8x40	1
161	MBS1824DAS-C161	Wheel Box		1
162	MBS1824DAS-C162	Belt	1922V504	1
163	MBS1824DAS-C163	Speed Controlled Wheel (Variable)		1
164	MBS1824DAS-C164	Speed Controlled Wheel (Fixing)		1
165	MBS1824DAS-C165	Hex. Socket Cap Screw	M8x65L	1
166	MBS1824DAS-C166	Wheel Box Cover		1
167	MBS1824DAS-C167	Button Head Socket Screw	M5x8L	8
168	MBS1824DAS-C168	Button Head Socket Screw	M5x8L	4
169	MBS1824DAS-C169	Cover Plate		1

SECTION D

FRONT BEARING SEAT



REAR BEARING SEAT

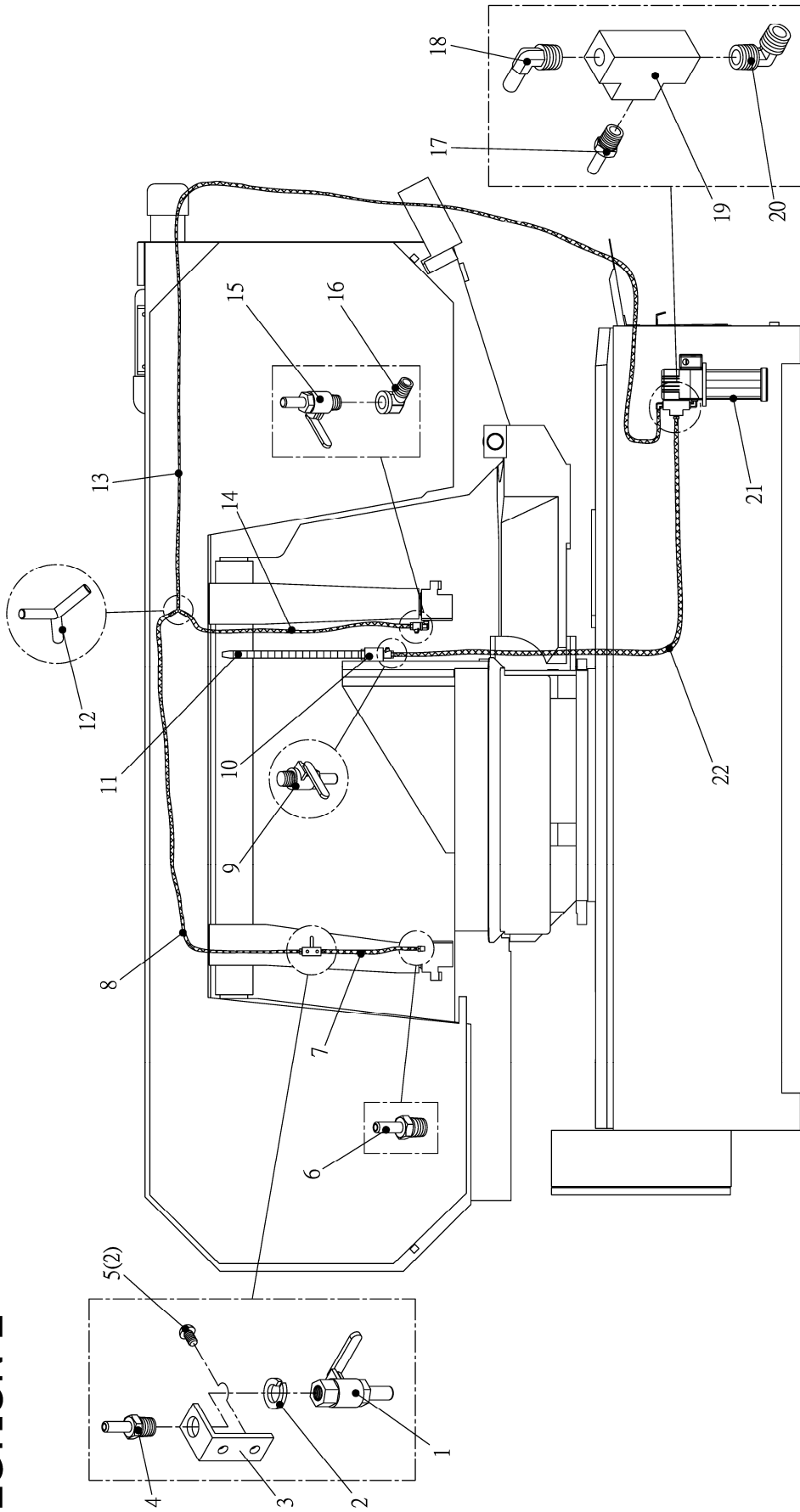


MBS-1824DAS Bearing Guide Assembly

Index No.	Part No.	Description	Size	Qty
1	MBS1824DAS-D1	Bearing Long Shaft		2
2	MBS1824DAS-D2	Bearing	6201	4
3	MBS1824DAS-D3	Bearing Sleeve (Long)		1
4	MBS1824DAS-D4	Bearing Sleeve (Short)		1
5	MBS1824DAS-D5	Spring Washer	M10	2
6	MBS1824DAS-D6	Nut	M10	2
7	MBS1824DAS-D7	Hex. Socket Cap Screw	M6x20L	2
8	MBS1824DAS-D8	Adjusting Screw		1
9	MBS1824DAS-D9	Adjusting Spring		1
10	MBS1824DAS-D10	Guide Pin		1
11	MBS1824DAS-D11	Hex. Socket Cap Screw	M8x40L	1
12	MBS1824DAS-D12	Left Guide Block		1
13	MBS1824DAS-D13	Bearing	6200	2
14	MBS1824DAS-D14	Bearing Bracket		1
15	MBS1824DAS-D15	Shaft Sleeve		1
16	MBS1824DAS-D16	Bracket Shaft		2
17	MBS1824DAS-D17	Guide Carbide (LF)		1
18	MBS1824DAS-D18	Guide Carbide (LR)		1
19	MBS1824DAS-D19	Spring Pin	D5x12L	2
20	MBS1824DAS-D20	Spring Pin	D5x12L	2
21	MBS1824DAS-D21	Guide Carbide (RR)		1
22	MBS1824DAS-D22	Guide Carbide (RF)		1
23	MBS1824DAS-D23	Bearing Shaft		2
24	MBS1824DAS-D24	Bearing Bracket		1
25	MBS1824DAS-D25	Bearing	6200	2
26	MBS1824DAS-D26	Shaft Sleeve		1
27	MBS1824DAS-D27	Hex. Socket Cap Screw	M6x20L	2
28	MBS1824DAS-D28	Right Guide Block		1
29	MBS1824DAS-D29	Nut	M10	2
30	MBS1824DAS-D30	Spring Washer	M10	2
31	MBS1824DAS-D31	Bearing Sleeve (Long)		1
32	MBS1824DAS-D32	Hex. Socket Cap Screw	M8x40L	1
33	MBS1824DAS-D33	Guide Pin		1
34	MBS1824DAS-D34	Spring		1
35	MBS1824DAS-D35	Adjusting Screw		1
36	MBS1824DAS-D36	Bearing	6201	4
37	MBS1824DAS-D37	Bearing Long Shaft		2
38	MBS1824DAS-D38	Bearing Sleeve (Short)		1

MBS-1824DAS Coolant System

SECTION E



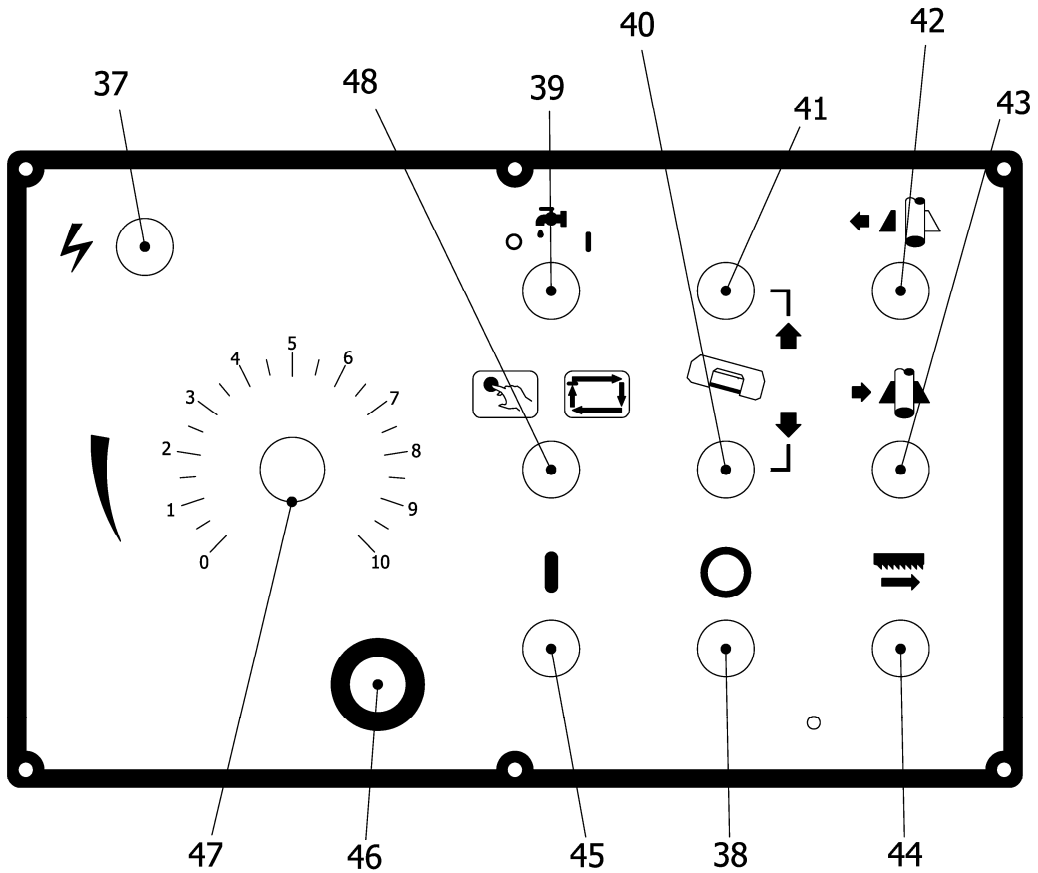
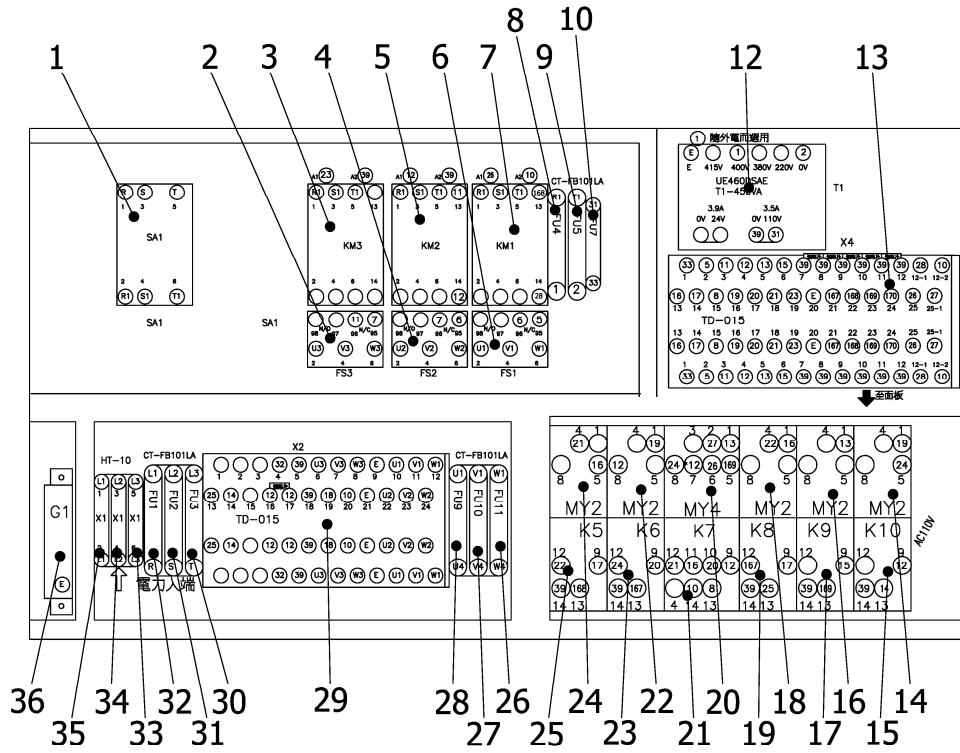
1000710-VI

MBS-1824DAS Coolant System

Index No.	Part No.	Description	Size	Qty
1	MBS1824DAS-E1	Cock	1/4x1/4	1
2	MBS1824DAS-E2	Spring Washer	M12	1
3	MBS1824DAS-E3	Fixing Bracket		1
4	MBS1824DAS-E4	Fitting	1/4x1/4	1
5	MBS1824DAS-E5	Big Round Head Screw	M6x8L	2
6	MBS1824DAS-E6	Fitting	1/4x1/4	1
7	MBS1824DAS-E7	Hose	1/4"x185mm	1
8	MBS1824DAS-E8	Hose	1/4"x2215mm	1
9	MBS1824DAS-E9	Cock	1/4x1/4	1
10	MBS1824DAS-E10	Nozzle Set		1
11	MBS1824DAS-E11	Nozzle	1/4"x18"L	1
12	MBS1824DAS-E12	Y Fit		1
13	MBS1824DAS-E13	Hose	1/4"x2700mm	1
14	MBS1824DAS-E14	Hose	1/4"x1580mm	1
15	MBS1824DAS-E15	Cock	1/4x1/4	1
16	MBS1824DAS-E16	90° Fitting	1/4x1/8	1
17	MBS1824DAS-E17	Fitting	3/8x1/4	1
18	MBS1824DAS-E18	90° Fitting	3/8x1/4	1
19	MBS1824DAS-E19	Fitting Set	3/8	1
20	MBS1824DAS-E20	90° Fitting	1/2x3/8	1
21	MBS1824DAS-E21	Coolant Pump	1/6"x150L	1
22	MBS1824DAS-E22	Hose	1/4"x1400mm	1

MBS-1824DAS Electric Box Assembly

SECTION F



1020123-V2

MBS-1824DAS Electric Box Assembly

Index No.	Part No.	Description	Size	Qty
1	MBS1824DAS-F1	Power Switch		1
2	MBS1824DAS-F2	Coolant Overload Relay		1
3	MBS1824DAS-F3	Coolant Magnetic Switch		1
4	MBS1824DAS-F4	Hydraulic Overload Relay		1
5	MBS1824DAS-F5	Hydraulic Magnetic Switch		1
6	MBS1824DAS-F6	Blade Overload Relay		1
7	MBS1824DAS-F7	Blade Magnetic Switch		1
8	MBS1824DAS-F8	Transformer Power in Fuse	FU4, 2A	1
9	MBS1824DAS-F9	Transformer Power in Fuse	FU5, 2A	1
10	MBS1824DAS-F10	AC110V Fuse	FU7, 3.15A	1
12	MBS1824DAS-F12	Transformer		1
13	MBS1824DAS-F13	Terminal Block		1
14	MBS1824DAS-F14	Relay Base		1
15	MBS1824DAS-F15	Relay		1
16	MBS1824DAS-F16	Relay Base		1
17	MBS1824DAS-F17	Relay		1
18	MBS1824DAS-F18	Relay Base		1
19	MBS1824DAS-F19	Relay		1
20	MBS1824DAS-F20	Relay Base		1
21	MBS1824DAS-F21	Relay		1
22	MBS1824DAS-F22	Relay Base		1
23	MBS1824DAS-F23	Relay		1
24	MBS1824DAS-F24	Relay Base		1
25	MBS1824DAS-F25	Relay		1
26	MBS1824DAS-F26	Fuse	FU11, 1A	1
27	MBS1824DAS-F27	Fuse	FU10, 1A	1
28	MBS1824DAS-F28	Fuse	FU9, 1A	1
29	MBS1824DAS-F29	Terminal Block		1
30	MBS1824DAS-F30	Power in Fuse	FU3, 16A	1
31	MBS1824DAS-F31	Power in Fuse	FU2, 16A	1
32	MBS1824DAS-F32	Power in Fuse	FU1, 16A	1
33	MBS1824DAS-F33	Power in Terminal		1
34	MBS1824DAS-F34	Power in Terminal		1
35	MBS1824DAS-F35	Power in Terminal		1
36	MBS1824DAS-F36	Grounding Plate		1
37	MBS1824DAS-F37	Power Indicator Light		1
38	MBS1824DAS-F38	Blade Stop Button		1
39	MBS1824DAS-F39	Coolant Start Switch		1
40	MBS1824DAS-F40	Bow Down Button		1
41	MBS1824DAS-F41	Bow Up Button		1
42	MBS1824DAS-F42	Vise Open Button		1
43	MBS1824DAS-F43	Vise Close Button		1
44	MBS1824DAS-F44	Blade Start Button		1
45	MBS1824DAS-F45	Hydraulic Start Button		1
46	MBS1824DAS-F46	Emergency Stop Button		1
47	MBS1824DAS-F47	Cutting Feed Rate Valve		1
48	MBS1824DAS-F48	Select Switch		1

MBS-1824DAS...ITA1824DAS 3~400V, 50Hz

