

JET

MBS-910CS

MBS-910CSD

MBS-910CSDV

Metal Working Bandsaw

50000341T / 50000346T

50000347T 400/50/3

PARTS LIST

JPW (Tool) AG

Tämperlistrasse 5
CH-8117 Fällanden
Switzerland

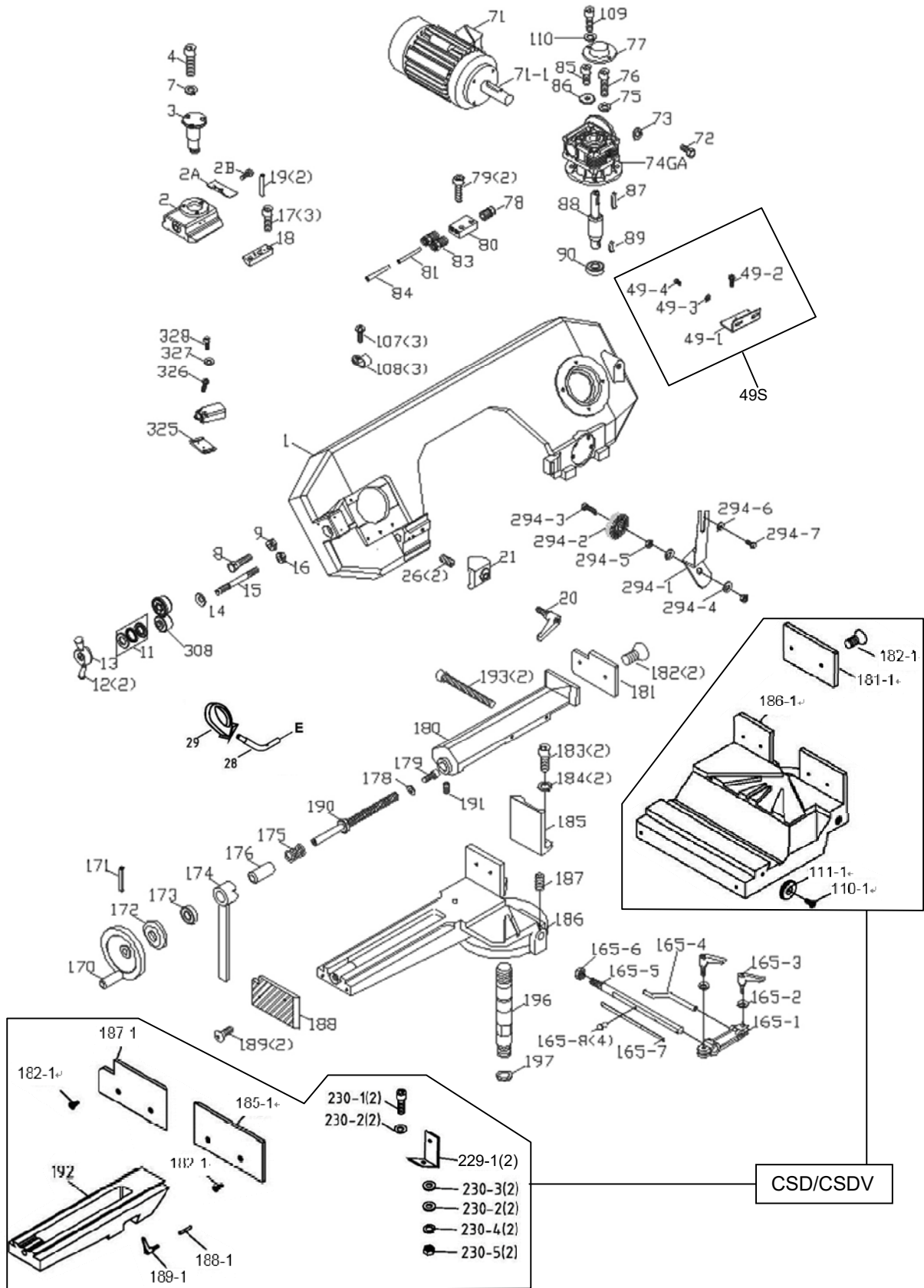
Phone +41 44 806 47 48

Fax +41 44 806 47 58

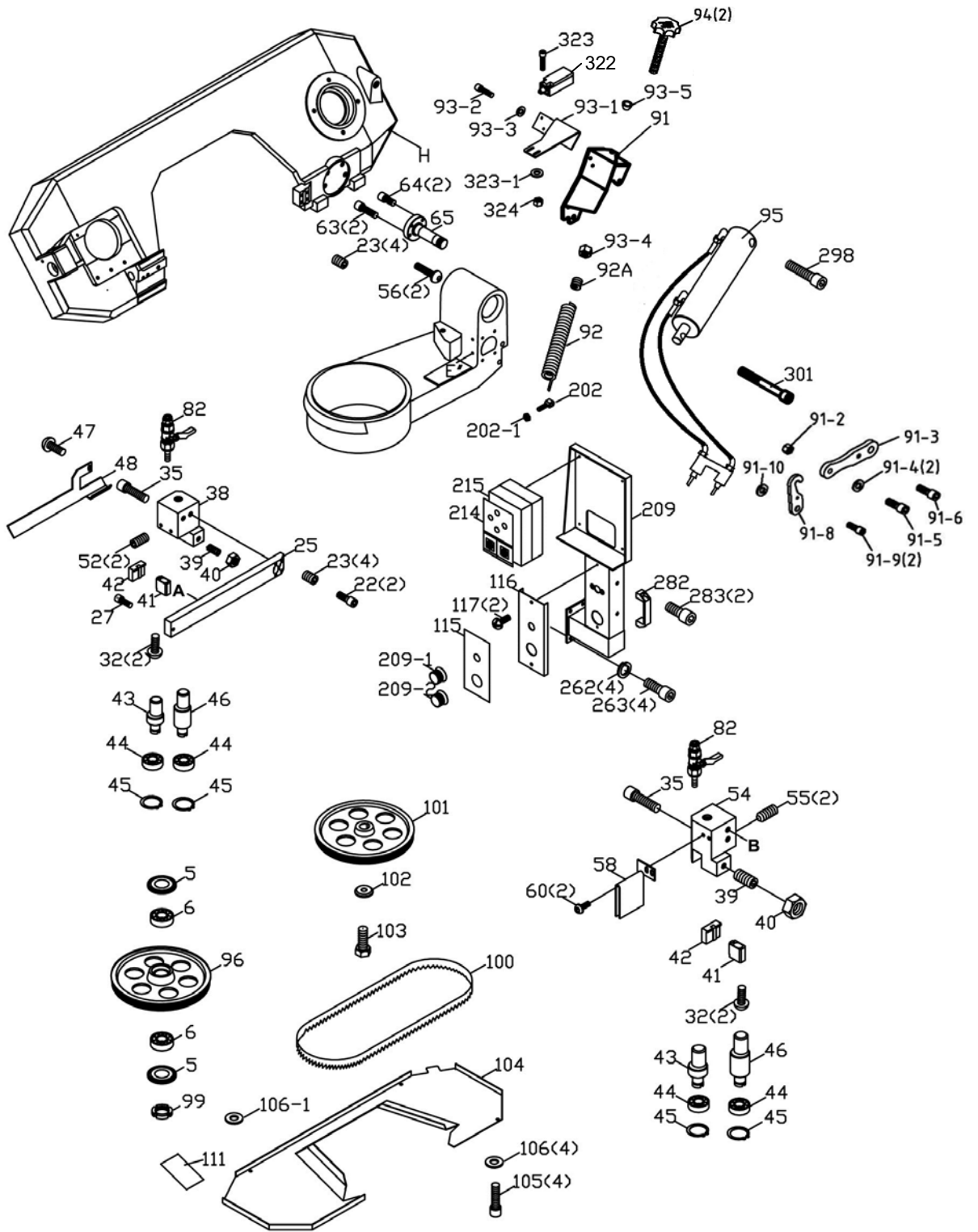
www.jettools.com



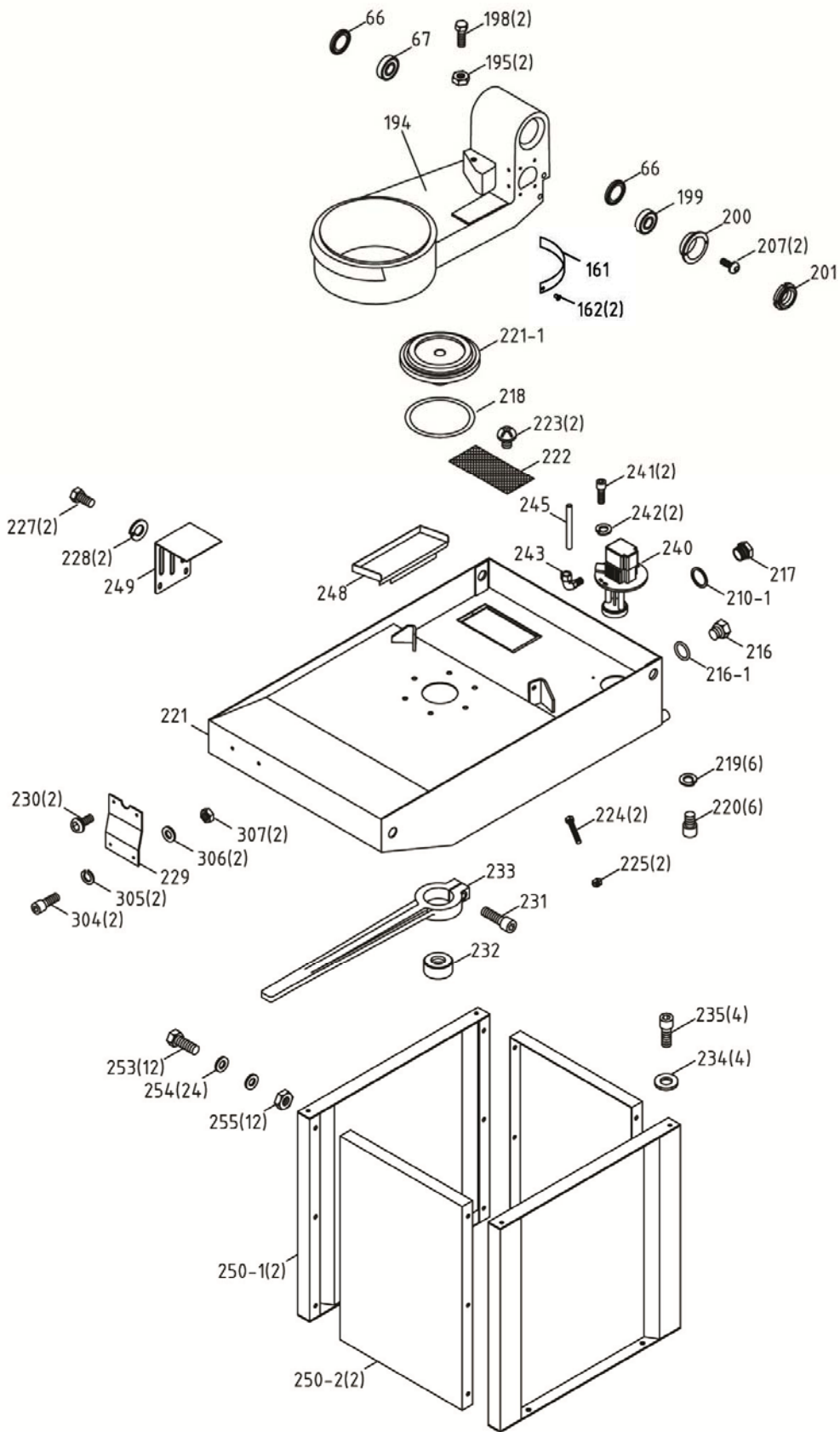
Breakdown for the MBS910CS/CSD/CSDV Transmission Assembly



Breakdown for the MBS910CS/CSD /CSDV Transmission Assembly



Base for MBS-910CS/CSD/CSDV Assembly



Parts List for the MBS910CS/CSD/CSDV

Index No.	Part No.	Description	Size	Qty.
1	MBS910CS-01	Body Frame		1
2	MBS910CS-02	Anchor Block		1
2A	MBS910CS-02A	Anchor Plate		1
2B	MBS708CS-02B	Round Head Screw	M5x10	2
3	MBS910CS-03	Shaft		1
4	TS-1504061	Socket Head Cap Screw	M8x30	3
5	MBS910CS-05	Anti-Chip Cover		2
6	BB-32006	Tapered Roller Bearing	32006	2
7	TS-2361081	Lock Washer	M8	3
8	TS-1490081	Hex. Cap Screw	M8x45	1
9	MBS708CS-09	Nut	M8	1
11	MBS708CS-11	Thrust Bearing	51203	1
12	MBS708CS-12	Knob		2
13	MBS708CS-13	Blade Tension Handle		1
14	MBS708CS-14	Lock Washer	ø16.3xø31.5x1.8t	14
15	MBS910CS-15A	Lead screw		1
16	TS-154010	Nut	M16	1
17	TS-1504041	Socket Head Cap Screw	M8x20	3
18	MBS708CS-18	Fixed Block		1
19	MBS708CS-19	Pin	ø 5X40	2
20	MBS910CS-20	Locking Lever	M10x60	1
21	MBS910CS-21	Fixed Block		1
22	TS-1504041	Socket Head Cap Screw	M8x20	2
23	TS-1503041	Socket Set Screw	M6x16	4
25	MBS910CS-25	Blade adjust stick		1
26	TS-1524021	Socket Set Screw	M8x10	2
27	TS-1503021	Socket Head Cap Screw	M6x10	1
28	MBS910CS-28	Connecting Tube		1
	MBS910CS-28N	Connecting Tube (for Manual cut)		-1
29	MBS910CS-29	Handle		1
	MBS910CS-29N	Handle (for Manual cut)		1
32	MBS910CS-32	Round Head Screw	M6x30	4
35	TS-1503011	Socket Head Cap Screw	M6x8	2
38	MBS910CS-38	Blade Adjust		1
39	TS-1524051	Socket Set Screw	M8x20	2
40	TS-1540061	Hex. Nut	M8	2
41	MBS910CS-41	Guide		2
42	MBS910CS-42	Guide		2
43	MBS910CS-43	Eccentric Guide		2
44	BB-608ZZ	Ball Bearing	608ZZ	4
45	MBS708CS-45	C-Retainer Ring	ø 8	4
46	MBS910CS-46	Eccentric Guide		2
47	MBS910CS-47	Round Head Screw	M6x15	2
48	MBS910CS-48	Blade Cover		1
49S	MBS708CS-49S	Power Cutting Bracket		1
49-1	MBS708CS-49-1	Power Cutting Bracket		1
49-2	MBS708CS-49-2	Cross Round Head Screw	M3x30	2
49-3	TS-1550041	Flat Washer	M6	2
49-4	TS-1503031	Socket Head Cap Screw	M6x12	2
52	TS-1523011	Socket Set Screw	M6x6	2
54	MBS910CS-54	Blade Adjustable		1
55	TS-1523011	Socket Set Screw	M6x6	2
56	TS-1504071	Socket Head Cap Screw	M8x35	2
58	MBS910CS-58	Blade Cover		1

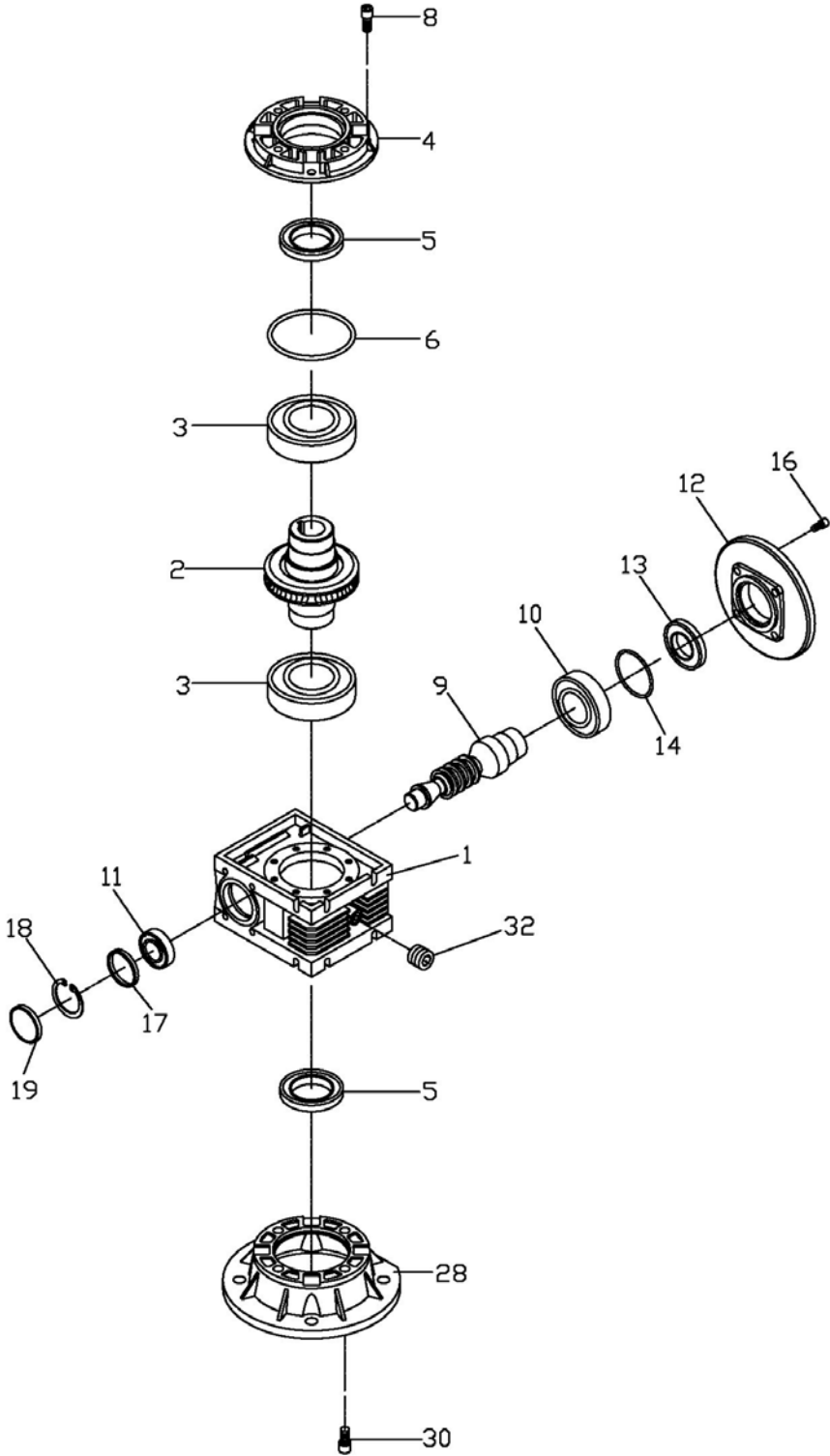
Index No.	Part No.	Description	Size	Qty.
60	MBS910CS-60	Round Head Screw	M5x10	2
63	TS-1505061	Socket Head Cap Screw	M10x40	2
64	TS-1505031	Socket Head Cap Screw	M10x25	2
65	MBS910CS-65	Frame Pivot Shaft		1
66	MBS910CS-66	Anti-Chip Cover		2
67	BB-32006	Tapered Roller Bearing	32006	1
71	MBS910CS-71AE	Motor	1.5HP/400V/3PH	1
72	TS-1503061	Socket Head Cap Screw	M6x25	4
73	TS-2361061	Lock Washer	M6	4
74GA	MBS910CS-74GA	Gear Box Assembly (08040509 and higher)		1
75	TS-2361101	Lock Washer	M10	4
76	TS-1490041	Hex Cap Screw (08040509 and higher)	M8x25	4
77	MBS910CS-77	Reducer Cover		1
78	MBS708CS-78	Hose Fitting	ø 8x1/4"PT	1
79	TS-1503041	Socket Head Cap Screw	M6x16	2
80	MBS708CS-80	3 Way Valve		1
81	MBS708CS-81	PU Tube	ø 6x240L	1
82	MBS708CS-82	Valve	1/8"	2
83	MBS708CS-83	Hose Fitting	ø 6x1/8"PT	4
84	MBS910CS-84	PU Tube	ø 6x800L	1
85	TS-1505041	Socket Head Cap Screw	M10x30	1
86	MBS708CS-86	Private Shaft Washer		1
87	MBS708CS-87	Round Head Key	8x7x50	1
88	MBS910CS-88N	Output Shaft (08040509 and higher)		1
89	MBS910CS-89	Round Head Key	8x7x25	1
90	MBS910CS-90	Ball Bearing	6208-2RS	1
91	MBS910CS-91	Spring Bracket (07100404 and higher)		1
	MBS910CSD-91	Spring Bracket (for double spring)		1
91-2	MBS910CSD-91-2	Hex.Nut	M8	1
91-3	MBS910CSD-91-3	Rally plate		1
91-4	TS-2361081	Washer	M8	2
91-5	TS-1504071	Hex.Socket Head Screw	M8X35	1
91-6	TS-1505031	Hex.Socket Head Screw	M10X25	1
91-8	MBS910CSD-91-8	Positioning plate		1
91-9	MBS910CSD-91-9	Hex.Socket Head Screw	M6X6	2
91-10	TS-2361101	Washer	M10	1
92	MBS910CS-92	Spring		2
92A	MBS910CS-92A	Bushing		1
93-1	MBS910CS-93-1	Down Bracket (07100404 and higher)		1
93-2	TS-1502041	Socket Head Cap Screw	M5x16	2
93-3	TS-2361051	Lock Washer	M5	2
93-4	TS-1540071	Nut	M10	1
93-5	MBS910CS-93-5	Bushing		1
94	MBS910CS-094	Socket Head Cap Screw	M10x110	1
	MBS910CS-094N	Handle Nob (for double spring)	M10x110	2
95	MBS910CS-95	Hydraulic Cylinder Assembly		1
96	MBS910CS-96	Idler Wheel		1
99	MBS910CS-99	Nut	AN06	1
100	MBS910CS-100	Blade	0.9x27x2450x5/8T	1
101	MBS910CS-101	Drive Wheel		1
102	MBS708CS-102	Drive Shaft Washer		1
103	TS-1492021	Hex. Cap Screw	M12x30	1
104	MBS910CS-104	Blade Back Cover		1
105	TS-1503041	Socket Head Cap Screw	M6x16	4

Index No.	Part No.	Description	Size	Qty.
106	TS-1550041	Flat Washer	M6	4
106-1	NBS910CS-106-1	Washer		1
107	MBS910CS-107	Cross Round Head Screw	M5x20	3
108	MBS910CS-108	Hose Clip	ø 8	3
109	TS-1504031	Socket Head Cap Screw	M8x15	2
110	TS-2361081	Lock Washer	M8	2
111	MBS910CS-111	Label For Dimension of Section Cut		1
110-1	MBS910CSD-110	Flat head Allen screws inside	M8x15L(8*16)	2
111-1	MBS910CSD-111	Stoppers		2
161	MBS910CSD-161	Scale		1
162	MBS910CSD-162	Rivet	φ 2	4
165S	MBS910CS-165S	Distance Set Rod Assembly		1
165-1	MBS708CS-165-1	Distance Set Bracket		1
165-2	TS-1550051	Flat Washer	M8	2
165-3	MBS708CS-165-3	Knob		2
165-4	MBS708CS-165-4	Stock Stop Rod		1
165-5	MBS910CS-165-5	Distance Set Rod		1
165-6	TS-154009	Hex. Nut	M14	1
165-7	MBS708CS-165-7	Scale		1
165-8	MBS708CS-165-8	Rivet	ø 2	4
170	MBS910CS-170	Wheel		1
171	MBS708CS-171	Pin	ø 5x35	1
172	MBS910CS-172	Bearing Cover		1
173	MBS708CS-173	Thrust Bearing	ø 30x ø 47x3.5	1
174	MBS708CS-174	Vises Handle		1
175	MBS708CS-175	Spring		1
176	MBS910CS-176	Bushing		1
178	MBS708CS-178	Washer	ø 6.5x ø 18	1
179	TS-1503041	Socket Head Cap Screw	M6x16	1
180	MBS910CS-180	Vise Jaw Bracket		1
181	MBS910CS-181	Vise		1
182	MBS708CS-182	Hex. Socket Flat Head Screw	M6x12	2
181-1	MBS910CSD-181	Vise		1
182-1	TS-1514011	Hex. Socket Flat Head Screw	M6X12L	2
183	TS-1505041	Socket Head Cap Screw	M10x30	2
184	TS-2361101	Lock Washer	M10	2
185	MBS910CS-185	Vise		1
186	MBS910CS-186	Vise Jaw Bracket		1
187	TS-1524021	Socket Set Screw	M8x10	1
188	MBS910CS-188	Vise		1
189	TS-1503041	Socket Head Cap Screw	M6x16	2
185-1	MBS910CSD-185-1	Vise		1
186-1	MBS910CSD-186-1	Vise Jaw Bracket(Rear)		1
187-1	MBS910CSD-187-1	Vise		1
188-1	MBS910CSD-188-1	Shaft		1
189-1	MBS910CSD-189-1	Grip		1
190	MBS910CS-190	Lead screw Assembly		1
191	TS-1524051	Socket Set Screw	M8x20	1
192	MBS910CSD-192	Movable table		1
193	MBS910CS-193	Socket Head Cap Screw	M6x110	2
194	MBS910CS-194	Swivel Arm		1
195	TS-1540071	Hex. Nut	M10	2
196	MBS910CS-196	Vise Jaw Adjustable Rod		1
197	MBS708CS-197	O-Retainer Ring	ø 9.8x ø 2.4	1
198	TS-2210451	Hex. Cap Screw	M10x45	2

Index No.	Part No.	Description	Size	Qty.
199	BB-32007	Tapered Roller Bearing	32007	1
200	MBS910CS-200	Bushing		1
201	MBS910CS-201	Nut	AN-07	1
202	MBS708CS-202	Bolt		1
207	TS-1522051	Socket Set Screw	M5x16	2
209	MBS910CS-209	Control Box Base		1
209-1	MBS910CS-209-1	On/Off Valve Knob		1
209-2	MBS910CS-209-2	Throttle Valve Knob		1
210-1	MBS910VS-210-1	O-Retainer Ring	P16	1
214	MBS910CS-214	Label for Name Plate		1
	MBS910CS-214N	Label for Name Plate (for Auto/Manual)		1
215	MBS910CS-215	Control Box Assembly		1
216	MBS708CS-216	Hex Socket Plug	3/8"PT	1
216-1	MBS708CS-216-1	O-Retainer Ring	P14	1
217	MBS910VS-217	Oil Mirror (oil glass)	3/8"PT	1
218	MBS910CS-218	O-Retainer Ring	ID19.5x5.7	1
219	TS-2361101	Lock Washer	M10	6
220	TS-1505021	Socket Head Cap Screw	M10x 20	6
221	MBS910CS-221	Coolant Pan		1
221-1	MBS910CS-221-1	Swivel Arm Base		1
222	MBS708CS-222	Filter		1
223	MBS708CS-223	Cross Round Head Screw	M4x8	2
224	TS-1491081	Hex. Cap Screw	M10x50	1
225	TS-1541041	Hex. Nut	M10	2
227	TS-1491031	Hex. Cap Screw	M10x25	2
228	TS-2361101	Lock Washer	M10	2
229	MBS910CS-229	Fixed Plate		1
229-1	MBS910CSD-229	Fixed Plate		2
230	MBS708CS-230	Round Head Screw	M6x10	2
230-1	TS-1503051	Hex. Socked Head Screw	M6x1.0x20	2
230-2	TS-1550041	Washer	M6	4
230-3	MBS910CSD-230-3	Rubber Washer		2
230-4	MBS910CSD-230-4	Spring Washer	M6	2
230-5	MBS910CSD-230-5	Hex. Nut	M6	2
231	TS-1505051	Socket Head Cap Screw	M10x35	1
232	MBS708CS-232	Nut		1
233	MBS910CS-233	Adjustable Handle		1
234	TS-1550051	Flat Washer	M8	4
235	TS-1504051	Socket Head Cap Screw	M8x25	4
240	MBS708CS-240E	Pump	1/8HP/400V	1
241	MBS708CS-241	Pan Head Screw	M6x15	2
242	TS-2361061	Lock Washer	M6	2
243	MBS708CS-243	Micro Control Block	3/8"x3/8"	1
245	MBS708CS-245	PU Tube	ø 8x1300L	1
248	MBS708CS-248	Fluid Collected Plate		1
249	MBS910CS-249	Feed Support		1
250-1	MBS910CS-250-1	Stand Leg		2
250-2	MBS910CS-250-2	Stand Leg		2
253	TS-1490031	Hex. Cap Screw	M8x20	12
254	TS-1550051	Flat Washer	M8	24
255	TS-1540061	Hex. Nut	M8	12
262	TS-2361061	Lock Washer	M6	4
263	TS-1503041	Socket Head Cap Screw	M6x16	4
282	MBS708CS-282	Knob		1

Index No.	Part No.	Description	Size	Qty.
283	TS-1504031	Socket Head Cap Screw	M8x16	2
294S	MBS910CS-294S	Brush Assembly		1
294-1	MBS910CS-294-1	Brush Support		1
294-2	MBS910CS-294-2	Brush		1
294-3	TS-1482061	Hex. Cap Screw	M6x30	1
294-4	TS-1550041	Flat Washer	M6	2
294-5	TS-1540041	Hex. Nut	M6	1
294-6	TS-1550041	Flat Washer	M6	2
294-7	TS-2246102	Socket Head Button Screw	M6x10	2
304	TS-1503041	Socket Head Cap Screw	M6x16	2
305	TS-2361061	Lock Washer	M6	2
306	TS-1550041	Flat Washer	M6	2
307	TS-1540041	Hex. Nut	M6	2
308	MBS708CS-308	Blade tension Meter		1
325	MBS910CS-325	Micro Switch Bracket		1
322	MBS910CSD-322	Limit Switch		1
323	TS-1501081	Hex. Socket Head Screw	M4X30L	2
323-1	TS-1550021	Washer	M4	2
324	MBS910CS-324	Hex. Nut	M4	2
326	MBS910CS-326	Cross Round Head Screw	M4x28	2
327	TS-1550031	Flat Washer	M5	2
328	TS-1481041	Hex. Cap Screw	M5X16	2

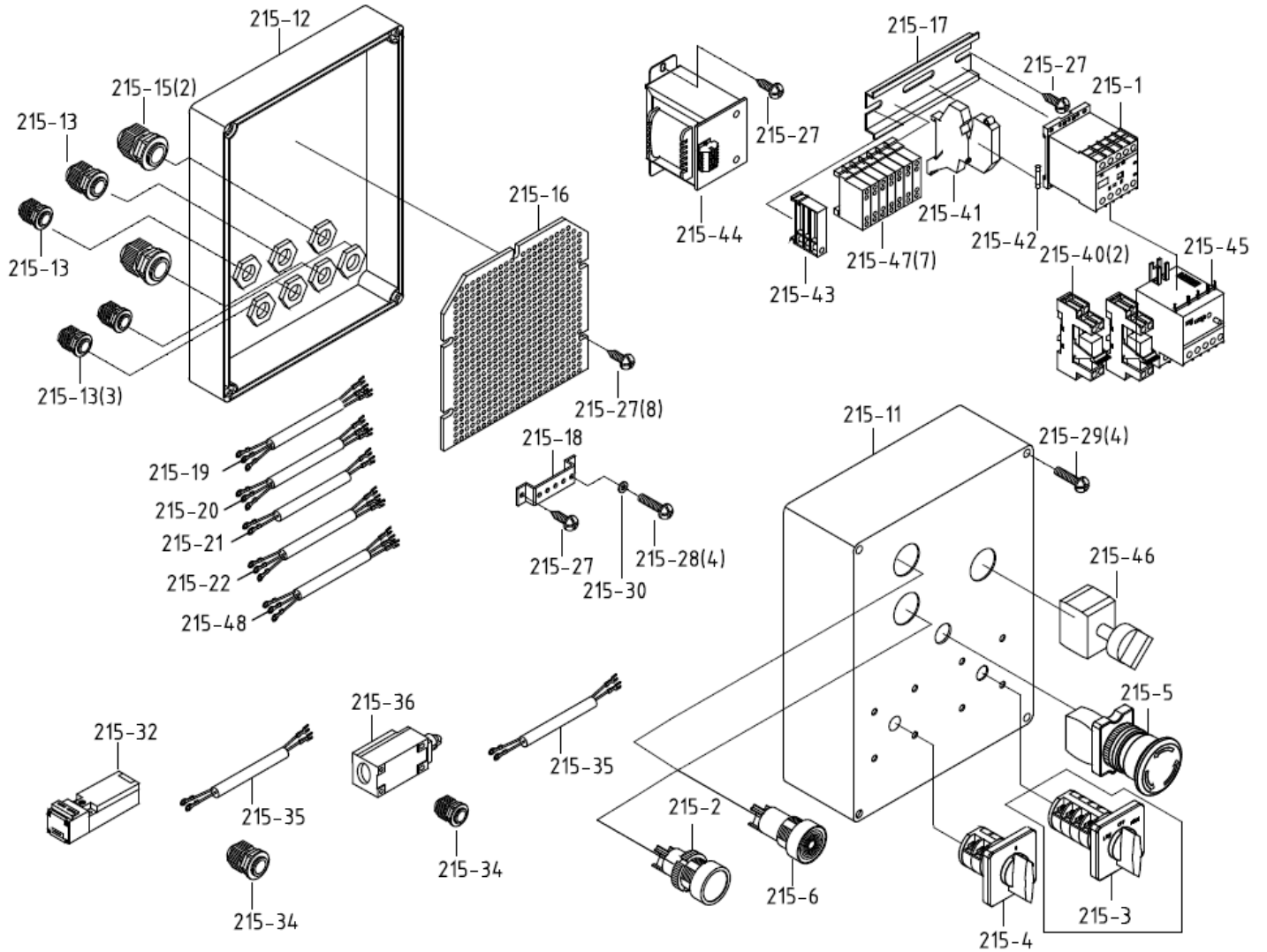
**Parts list for MBS-910CS/CSD/CSDV
Breakdown for Gear Box Assembly**



**Parts List for MBS-910CS/CSD/CSDV
Gear Box Assembly**

Index No.	Part No.	Description	Size	Qty.
1	MBS708CS-74GA-1	Gear Box		1
2	MBS910CS-74GA-2	Worm Gear	E=1/40	1
3	BB-6008ZZ	Ball Bearing	6008ZZ	2
4	MBS708CS-74GA-4	Gear Box Cover		1
5	MBS708CS-74GA-5	Oil Seal	TC40x62x7b	2
6	MBS708CS-74GA-6	Oil Seal		1
8	MBS708CS-74GA-8	Socket Star Head Screw	M6x16	8
9	MBS910CS-74GA-9	Worm Shaft		1
10	BB-6006ZZ	Ball Bearing	6006ZZ	1
11	BB-6204ZZ	Ball Bearing	6204ZZ	1
12	MBS708CS-74GA-12	Motor Flange		1
13	MBS708CS-74GA-13	Oil Seal	TC30x47x7b	1
14	MBS708CS-74GA-14	Oil Seal		1
16	MBS708CS-74GA-8	Socket Star Head Screw	M6x16	6
17	MBS708CS-74GA-17	Washer		1
18	MBS708CS-74GA-18	C-Ring		1
19	MBS708CS-74GA-19	Oil Seal		1
28	MBS708CS-74GA-28	Connect Flange		1
30	TS-1504031	Socket Head Cap Screw	M8x16	4
32	MBS708CS-74GA-32	Oil Plug		2
	MBS910CS-74GA	Gear Box Assembly 1~32 (08040509 and higher)		

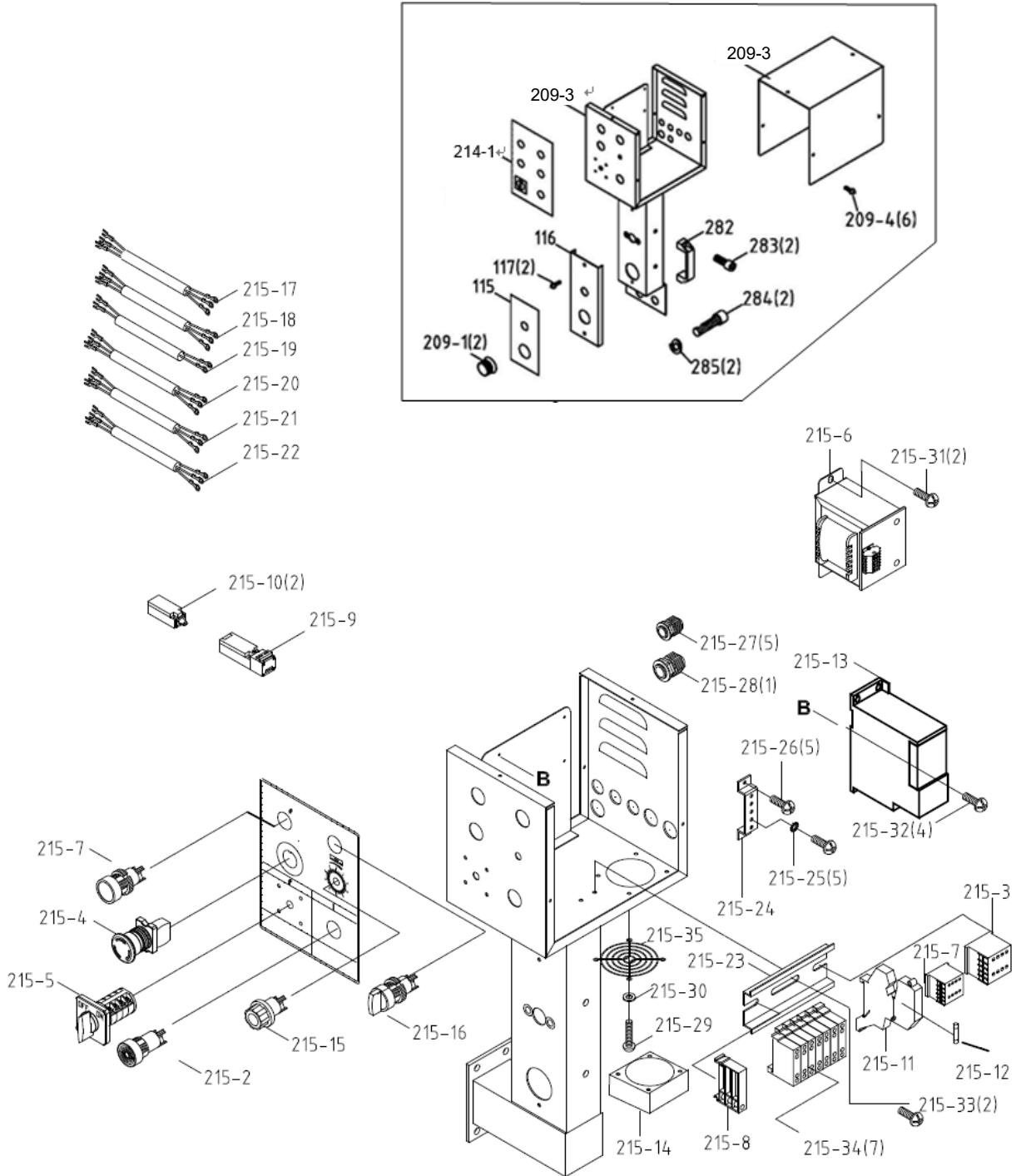
Breakdown for the MBS910CS/CSD Electrical Box Assembly



**Parts List for the MBS910CS/CSD
Electrical Box Assembly**

Index No.	Part No.	Description	Size	Qty.
215-1	MBS708CS-215-1	Magnetic-Contact	C-06D	1
215-2	MBS708CS-215-2	Push-Button Switch	NPB-F20G	1
215-3	MBS708CS-215-3	Main Power Switch	600V/20A	1
215-4	MBS708CS-215-4	Choice-Switch	600V/20A	1
215-5	MBS708CS-215-5	Emergency-Stop Switch	HY57B	1
215-6	MBS708CS-215-6	Power Light	NLD-22	1
215-11	MBS708CS-215-11	Box Upper Lib		1
215-12	MBS708CS-215-12	Box Seat		1
215-13	MBS708CS-215-13	Cable-Gland	PG-9	4
215-15	MBS708CS-215-15	Cable-Gland	PG-13.5	2
215-16	MBS708CS-215-16	Net-Pin		1
215-17	MBS708CS-215-17	Din-Rails		1
215-18	MBS708CS-215-18	Grand Copper Pin		1
215-19	MBS708CS-215-19	Power Cable	H07RN-Fx1.5mm ²	1
215-20	MBS708CS-215-20	Motor Cable	1.25mm ² x7C	1
215-21	MBS708CS-215-21	Limit Cable	H05VV-Fx0.75mm ²	1
215-22	MBS708CS-215-22	Pump Cable	H05VV-Fx0.75mm ²	1
215-27	MBS708CS-215-27	Self-tapping Screw	M4X8	10
215-28	MBS708CS-215-28	Cross Round Head Screw	M4X6	4
215-29	MBS708CS-215-29	Cross Round Head Screw	M4x12	4
215-30	MBS708CS-215-30	Star Washer	M4	6
215-32	MBS708CS-215-32	Limit Switch for Blade Guard	AZD-S11	1
215-34	MBS708CS-215-34	Cable-Gland	PG-11	2
215-35	MBS708CS-215-35	Limit Cable	H05VV-Fx0.75mm ²	1
215-36	MBS708CS-215-36	Limit Switch for Bow Down	AZD-112	1
215-40	MBS708CS-215-40	Relay	24V	1
215-41	MBS708CS-215-41	Fuse Seat		1
215-42	MBS708CS-215-42	Fuse	2A	1
215-43	MBS708CS-215-43	Fix Block		1
215-44	MBS708CS-215-44	Transformer	400/24V	1
215-45	MBS910CS-215-45	Overload protector	2.4A-3.6A	1
215-46	MBS910CS-215-46	Auto/Manual switch	NSS22-S211B	1
215-47	MBS910CS-215-47	Teriminal Block	CABURE 600V 24A	
			24-12AGE	1
215-48	MBS910CS-215-48	Push-Button Switch Cable	H05VV-F 2 x0.75 mm ²	1

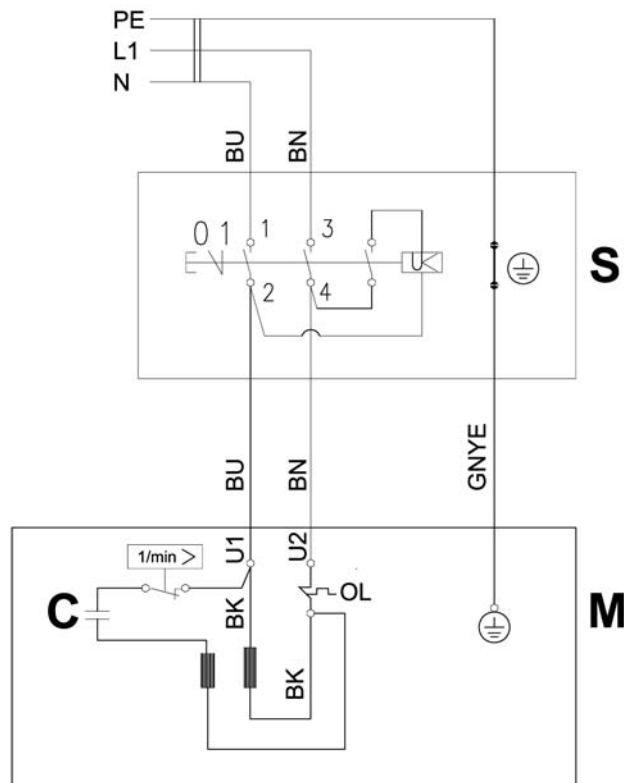
Breakdown for the MBS910CSDV Electrical Box Assembly



**Parts List for the MBS910CSDV
Electrical Box Assembly**

Index No.	Part No.	Description	Size	Qty.
115	MBS910CS-115	Label		1
116	MBS910CS-116	Cover		1
117	MBS910CS-117	Round Head Screw	M5x15	2
209-1	MBS910CS-209-1	On/Off Valve Knob		1
209-3	MBS910CSDV-209-3	Variable Speed Control Box Base		1
209-4	TS-2245102	Round Head Screw	M6X1.0PX10	6
214-1	MBS910CSDV-214-1	Lable for Name Plate for Variable speed		1
282	MBS708CS-282	Knob		1
283	TS-1504031	Socket Head Cap Screw	M8x16	2
284	TS-1504041	Hex. Socket Head Screw	M8X20	2
285	TS-1550061	Spring Washer	M8	2
215-2	MBS708CS-215-6	Power Light	NLD-22	1
215-3	MBS910CSDV-215-3	Magnetic-Contact	600V/20A	1
215-4	MBS708CS-215-5	Emergency-Stop Switch	HY57B	1
215-5	MBS708CS-215-3	Main Power Switch	600V/20A	1
215-6	MBS708CS-215-44	Transformer	400V/24V/230V	1
215-7	MBS910CSDV-215-7	Magnetic-Contact	JD-6 24V	1
215-8	MBS708CS-215-43	Fix Block		1
215-9	MBS910CSDV-215-9	Limit Switch for Blade Guard	QKS8-1A1B	1
215-10	MBS910CSDV-215-10	Limit Switch for Bow Down And Tension	QKS7-1A1B	2
215-11	MBS708CS-215-41	Fuse Seat		1
215-12	MBS910CSDV-215-12	Fuse		1
215-13	MBS910CSDV-215-13	Inverter	ABB/415V/3PH	1
215-14	MBS910CSDV-215-14	Colling Fan		1
215-15	MBS910CSDV-215-15	Speed control knob		1
215-16	MBS910CS-215-46	Auto/Manual switch	NSS22-S211B	1
215-17	MBS910CSDV-215-17	Power Cable	H07RN-Fx1.5mm ²	1
215-18	MBS910CSDV-215-18	Motor Cable	1.5mm ² x4C	1
215-19	MBS910CSDV-215-19	Limit Cable For Blade Guard	H05VV-Fx0.75mm ²	1
215-20	MBS910CSDV-215-20	Limit Cable For Down	H05VV-Fx0.75mm ²	1
215-21	MBS910CSDV-215-21	Limit Cable For Tenson	H05VV-Fx0.75mm ²	1
215-22	MBS910CSDV-215-22	Pump Cable	0.75mm ² x4C	1
215-23	MBS910CSDV-215-23	Din-Rails		1
215-24	MBS910CSDV-215-24	Grand Copper Pin		1
215-25	MBS910CSDV-215-25	Cross Round Head Screw	M4X6	5
215-26	MBS910CSDV-215-26	Cross Round Head Screw	M4x4	2
215-27	MBS910CSDV-215-27	Cable-Gland	PG-11	1
215-28	MBS910CSDV-215-28	Cable-Gland	PG-13.5	1
215-29	MBS910CSDV-215-29	Cross Round Head Screw	M4X10	4
215-30	MBS910CSDV-215-30	M4		4
215-31	MBS910CSDV-215-31	Cross Round Head Screw		2
215-32	MBS910CSDV-215-32	Cross Round Head Screw	M4X10	4
215-33	MBS910CSDV-215-33	Cross Round Head Screw	M4X6	2
215-34	MBS910CS-215-47	Teriminal Block	CABURE 600V 24A	7
			24-12AGE	7
215-35	MBS910CSDV-215-35	Fan protection net		1

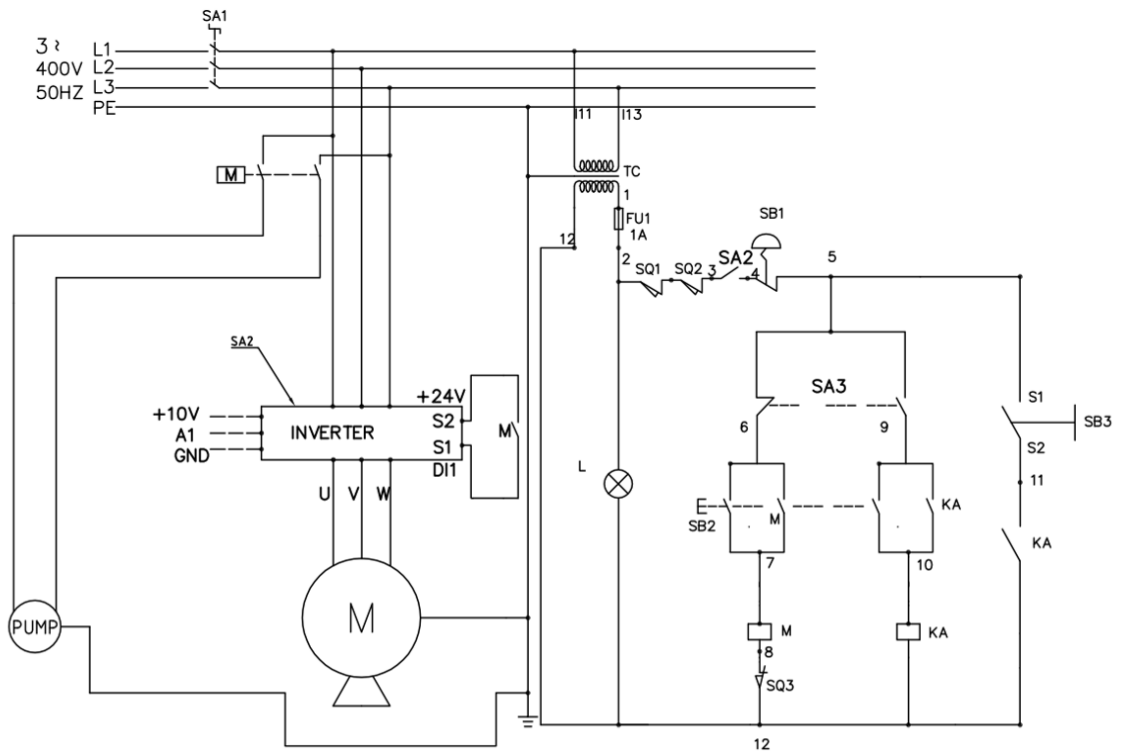
MBS-910CS/CSD...50000/341T50000346T...3~400V,50Hz



	colour of strands	Litzenfarben	couleur des cordons
BK	black	schwarz	noir
WH	white	weiß	blanc
BU	blue	blau	bleu
YE	yellow	gelb	jaune
RD	red	rot	rouge
BN	brown	braun	brun
GY	grey	grau	gris
GNYE	green-yellow	grün-gelb	vert-jaune
OG	orange	orange	orange
VT	violet	violett	violet

	meaning of symbol	Bedeutung der Zeichen	interprétation
M	motor	Motor	moteur
S	switch	Schalter	interrupteur
C	condenser	Kondensator	condensateur
E	electronic unit	Elektronik Einheit	unité électronique
F	fuse	Sicherung	fusible
RS	reversing switch	Drehrichtungsschalter	commu. droite/gauche
CS	centrifugal switch	Fliehkraftschalter	déclencheur centrifuge
OL	overload cut-off	Überlastschuttschalter	déclencheur surcharge
LS	limit switch	Positionsendschalter	micro

MBS-910CSDV...50000347T...3~400V,50Hz



Item.	Designation and function	Technical data	QTY
M	Contactur		1
FU1	Fuse base		1
FUSE	FU1-2A,		1
TC	Transformer	CE20VA G,0,230V/400V,0,24V	1
L	Power light		1
SA3	Hand -Auto Switch		1
SA1	Power switch		1
SA2	INVERTER		1
SB1	Emergency stop button	HY-57B	1
SB2	Start Switch		1
KA	RELAY		1
SQ1	Cover Limit switch		1
SB3	PUSH LIMIT SWITCH		1
SQ2	Tension Limit switch		1
SQ3	Lower Limit switch		1