

JET

MBS-911CSD Mitre Auto Band saw

MBS-911CSD.... 50000431T 3~400V, 50Hz

PARTS LIST

JPW (Tool) AG.

Tämperlistrasse 5
CH-8117 Fällanden
Switzerland

Phone +41 44 806 47 48

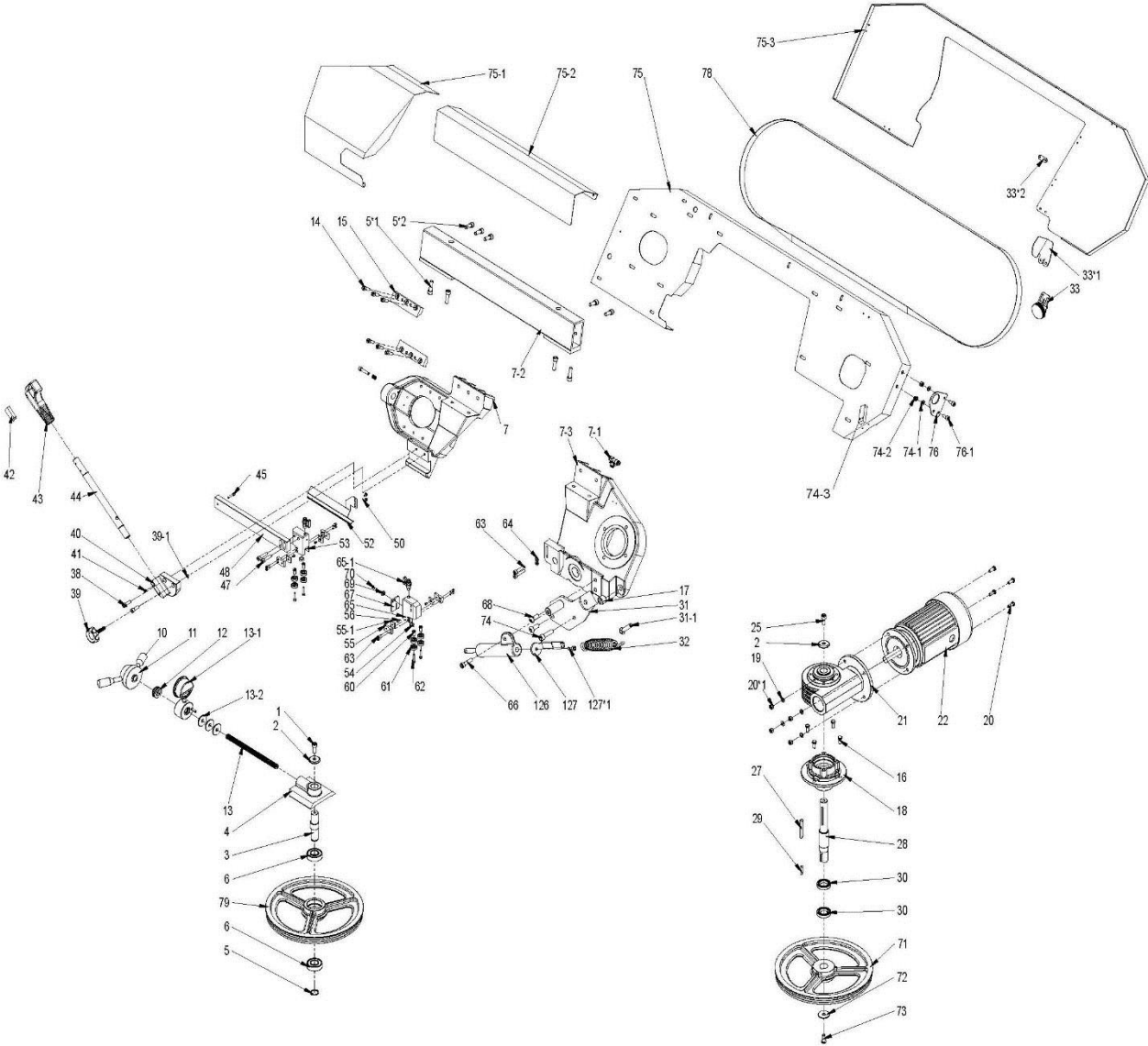
Fax +41 44 806 47 58

www.jettools.com

P-50000431T

2015-08

MBS-911CSD Bow breakdown

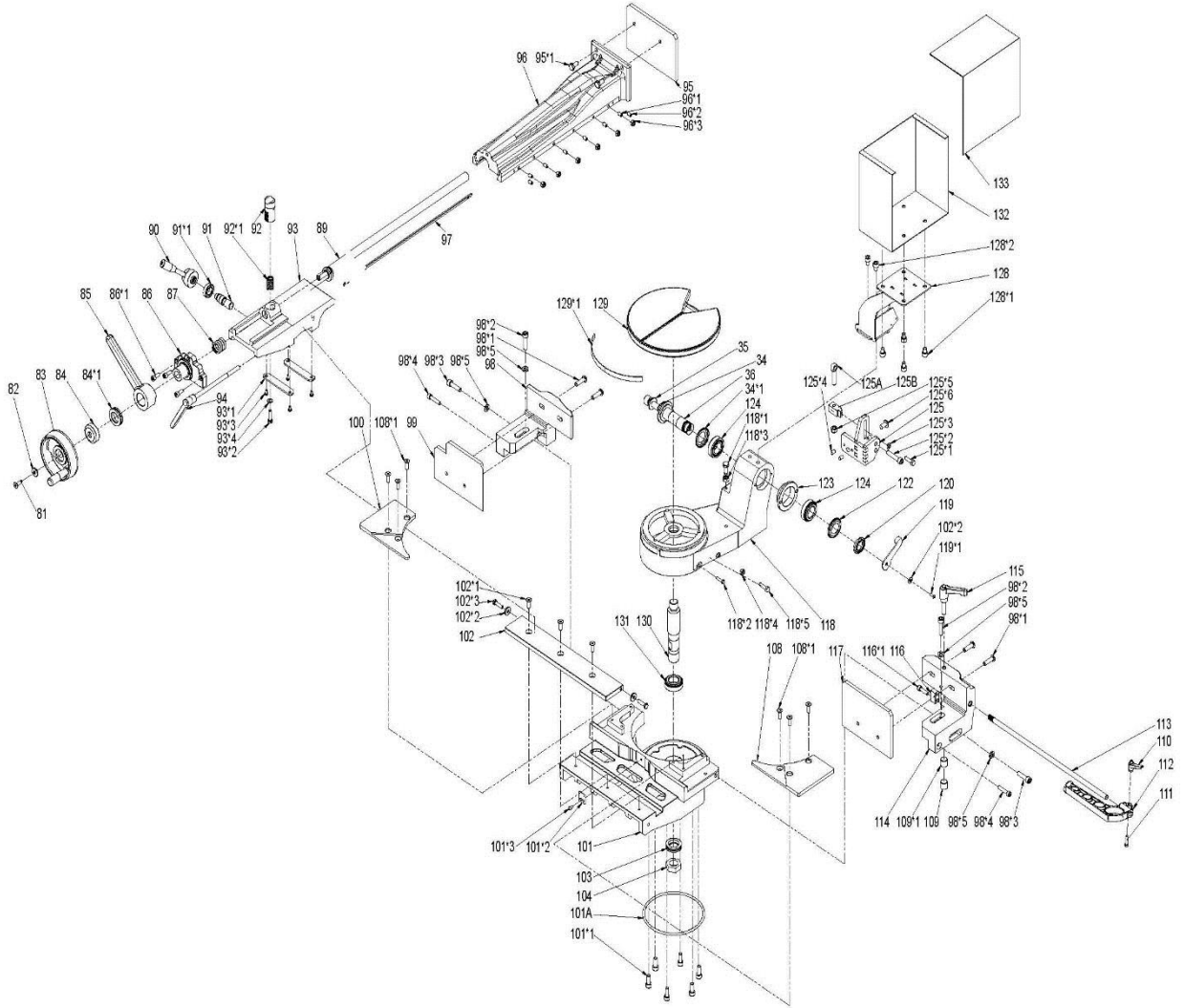


MBS-911CSD Bow Assembly

Index No.	Part No.	Description	Size	Q'ty
1	MBS-911CSD-1	Cap Screw	M10x25	1
2	MBS-911CSD-2	Washer	40x40.2x5	2
3	MBS-911CSD-3	Shaft		1
4	MBS-911CSD-4	Anchor Block		1
5	MBS-911CSD-5	C- Ring		1
5-1	MBS-911CSD-5-1	Cap Screw	M10x35	4
5-2	MBS-911CSD-5-2	Cap Screw	M10x25	5
6	MBS-911CSD-6	Bearing	6205	2
7	MBS-911CSD-7	Left Body Frame		1
7-1	MBS-911CSD-7-1	Pipe Connect		1
7-2	MBS-911CSD-7-2	Pipe Connect For Body Frame	50x100x730	1
7-3	MBS-911CSD-7-3	Right Body Frame		1
10	MBS-911CSD-10	Knob		2
11	MBS-911CSD-11	Blade Tension Handle		1
12	MBS-911CSD-12	Big Washer	51203	1
13	MBS-911CSD-13	Lead Screw	16x240mm	1
13-1	MBS-911CSD-13-1	Tension Gauge		1
13-2	MBS-911CSD-13-2	Washer		1
14	MBS-911CSD-14	Hex. Socket Head Screw	M8x25L	6
15	MBS-911CSD-15	Fixed Block		2
16	MBS-911CSD-16	Cap Screw	M8x40	4
17	MBS-911CSD-17	Bushing	20x25	1
18	MBS-911CSD-18	Reducer Block		1
19	MBS-911CSD-19	Washer	M8	4
20	MBS-911CSD-20	Screw	M8x25	4
20-1	MBS-911CSD-20-1	Nut	M8	4
21	MBS-911CSD-21	Reducer		1
22	MBS-911CSD-22	Motor		1
25	MBS-911CSD-25	Cap Screw	M10x25	1
27	MBS-911CSD-27	Key	8x7x70	1
28	MBS-911CSD-28	Output Shaft		1
29	MBS-911CSD-29	Key	7x7x30	1
30	MBS-911CSD-30	Bearing	6906	2
31	MBS-911CSD-31	Spring Support		1
31-1	MBS-911CSD-31-1	Spring Holder Screw		1
32	MBS-911CSD-32	Spring		1
33	MBS-911CSD-33	Steel Brush		1
33-1	MBS-911CSD-33-1	Blade Cover		1
33-2	MBS-911CSD-33-2	Brush Holder		1
34	MBS-911CSD-34	Screw	M16x40	1
34-1	MBS-911CSD-34-1	Bearing Cover		1
35	MBS-911CSD-35	Spring Washer		2
36	MBS-911CSD-36	Frame Pivot Shaft		1
38	MBS-911CSD-38	Screw		2
39	MBS-911CSD-39	Screw	8x25	1
39-1	MBS-911CSD-39-1	Copper		1
40	MBS-911CSD-40	Fixed Block		1
41	MBS-911CSD-41	Set Screw	M8x8	2
42	MBS-911CSD-42	Switch	VMN-15S	1
43	MBS-911CSD-43	Handel		1
44	MBS-911CSD-44	Handel Pipe		1
45	MBS-911CSD-45	Screw	M6x20	1
47	MBS-911CSD-47	Screw	M8x35	2
48	MBS-911CSD-48	Blade Adjust Stick		1
50	MBS-911CSD-50	Screw	M5x10	2
52	MBS-911CSD-52	Blade Cover (Front)		1
53	MBS-911CSD-53	Blade Adjust (Front)		1
54	MBS-911CSD-54	Guide		2
55	MBS-911CSD-55	Guide Holder		4
55-1	MBS-911CSD-55-1	Guide		4

Index No.	Part No.	Description	Size	Q'ty
56	MBS-911CSD-56	Screw		4
60	MBS-911CSD-60	Eccentric Guide		4
61	MBS-911CSD-61	Bearing	608	8
62	MBS-911CSD-62	Screw	5x15	4
63	MBS-911CSD-63	Cap Screw	M8x40	8
64	MBS-911CSD-64	Spring Washer	M8	1
65	MBS-911CSD-65	Blade Adjustable (Rear)		1
65-1	MBS-911CSD-65-1	Valve		2
66	MBS-911CSD-66	Cap Screw		1
67	MBS-911CSD-67	Chip Plate		1
68	MBS-911CSD-68	Screw		2
69	MBS-911CSD-69	Spring Washer		1
70	MBS-911CSD-70	Screw	M5	1
71	MBS-911CSD-71	Drive Wheel		1
72	MBS-911CSD-72	Washer	40x10.2x5	1
73	MBS-911CSD-73	Screw		1
74	MBS-911CSD-74	Cap Screw		1
74-1	MBS-911CSD-74-1	Washer		2
74-2	MBS-911CSD-74-2	Nut		2
74-3	MBS-911CSD-74-3	Cover Switch		1
75	MBS-911CSD-75	Blade Back Cover		1
75-1	MBS-911CSD-75-1	Blade Left Cover		1
75-2	MBS-911CSD-75-2	Blade Up Cover		1
75-3	MBS-911CSD-75-3	Blade Down Cover		1
76	MBS-911CSD-76	Wire Fixed Board		1
76-1	MBS-911CSD-76-1	Cap Screw		2
78	MBS-911CSD-78	Saw Blade	2965x27x0.9	1

MBS-911CSD Base breakdown

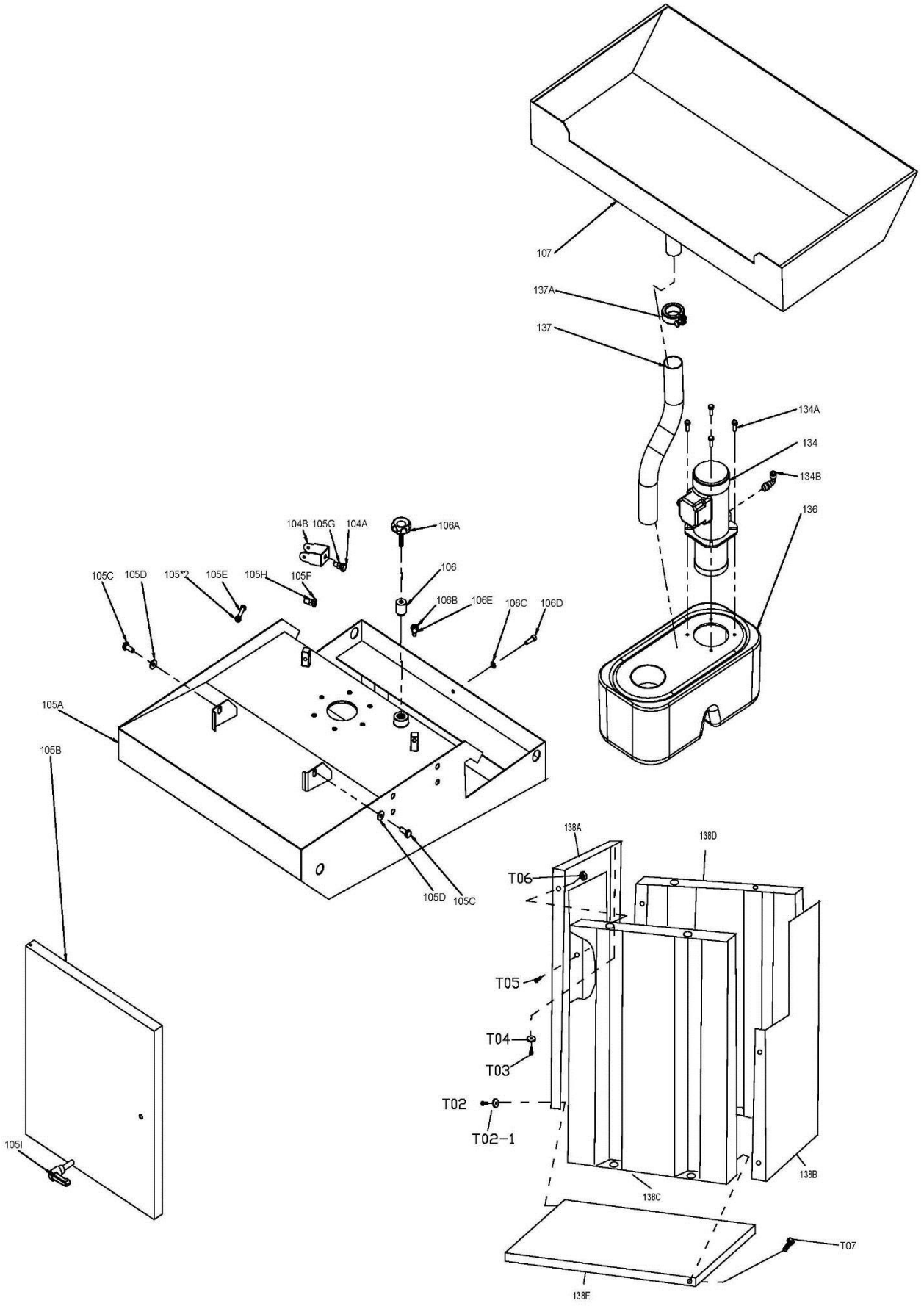


MBS-911CSD Base Assembly

Index No.	Part No.	Description	Size	Q'ty
79	MBS-911CSD-79	Idler Wheel		1
80	MBS-911CSD-80	C-Ring	S-25	1
81	MBS-911CSD-81	Screw	M8x20	1
82	MBS-911CSD-82	Washer	M8x23x3	1
83	MBS-911CSD-83	Wheel		1
84	MBS-911CSD-84	Bearing Cover		1
84-1	MBS-911CSD-84-1	Bearing	51106	1
85	MBS-911CSD-85	Vise Handle		1
86	MBS-911CSD-86	Vise Handle Fixed Board		1
86-1	MBS-911CSD-86-1	Cap Screw	8x20	3
87	MBS-911CSD-87	Spring		1
89	MBS-911CSD-89	Lead screw		1
90	MBS-911CSD-90	Vise Handle Set		1
91	MBS-911CSD-91	Vise Handle Rod		1
91-1	MBS-911CSD-91-1	Bearing	6904	1
92	MBS-911CSD-92	Lead screw Copper		1
92-1	MBS-911CSD-92-1	Lead screw Spring		1
93	MBS-911CSD-93	Moveable Vise Jaw Bracket		1
93-1	MBS-911CSD-93-1	Moveable Down vise Jaw Bracket Board		2
93-2	MBS-911CSD-93-2	Set Screw		1
93-3	MBS-911CSD-93-3	Screw		4
93-4	MBS-911CSD-93-4	Set Screw		1
94	MBS-911CSD-94	Knob	M10x190	1
95	MBS-911CSD-95	Vise Plate		1
95-1	MBS-911CSD-95-1	Screw		2
96	MBS-911CSD-96	Vise Cover		1
96-1	MBS-911CSD-96-1	Screw	M8x20	6
96-2	MBS-911CSD-96-2	Spring Pin	M5x16	2
96-3	MBS-911CSD-96-3	Nut	M8	6
97	MBS-911CSD-97	Slide		1
98	MBS-911CSD-98	Left Vise		1
98-1	MBS-911CSD-98-1	Screw	10x40	4
98-2	MBS-911CSD-98-2	Screw	10x40	2
98-3	MBS-911CSD-98-3	Screw	10x40	2
98-4	MBS-911CSD-98-4	Cap Screw	8x40	2
98-5	MBS-911CSD-98-5	Washer		4
99	MBS-911CSD-99	Left Vise Plate		1
100	MBS-911CSD-100	Left Cutting Plate		1
101	MBS-911CSD-101	Fixed Vise Jaw Bracket		1
101A	MBS-911CSD-101A	O Ring	4.4x2.6	1
101-1	MBS-911CSD-101-1	Cap Screw		6
101-2	MBS-911CSD-101-2	Indicator Fixed Board		1
101-3	MBS-911CSD-101-3	Screw		1
102	MBS-911CSD-102	Moveable Vise Jaw Bracket Board	16x75x430	1
102-1	MBS-911CSD-102-1	Screw	8x25	3
102-2	MBS-911CSD-102-2	Washer	23x8x3	4
102-3	MBS-911CSD-102-3	Cap Screw	8x25	2
103	MBS-911CSD-103	Bearing	51106	1
104	MBS-911CSD-104	Nut		1
104A	MBS-911CSD-104A	Screw		1
104B	MBS-911CSD-104B	45 Degree Plate		1
105-2	MBS-911CSD-105-2	Nut		3
105A	MBS-911CSD-105A	Base		1
105C	MBS-911CSD-105C	Cap Screw		2
105D	MBS-911CSD-105D	Washer	8x23x3	3
105E	MBS-911CSD-105E	Screw		2
105F	MBS-911CSD-105F	Screw		1

Index No.	Part No.	Description	Size	Q'ty
105G	MBS-911CSD-105G	Set Nut		1
105H	MBS-911CSD-105H	Nut	M8	1
105I	MBS-911CSD-105I	Handle		1
106	MBS-911CSD-106	0 Degree Fixed Board	Φ25	1
106A	MBS-911CSD-106A	Handle	M8x30	1
106B	MBS-911CSD-106B	Cap Screw		1
106C	MBS-911CSD-106C	Washer	8x23x3	1
106D	MBS-911CSD-106D	Cap Screw	M8x16	1
106E	MBS-911CSD-106E	Nut		1
107	MBS-911CSD-107	Tank		1
108	MBS-911CSD-108	Right Cutting Plate		1
108-1	MBS-911CSD-108-1	Screw	8x20	6
109	MBS-911CSD-109	Vise Copper	20x19	1
109-1	MBS-911CSD-109-1	Vise Iron	20x19	1
110	MBS-911CSD-110	Knob Nut		1
111	MBS-911CSD-111	Screw	6x20	1
112	MBS-911CSD-112	Stop Bracket		1
113	MBS-911CSD-113	Rod Stock Stop		1
114	MBS-911CSD-114	Right Vise		1
115	MBS-911CSD-115	Knob		1
116	MBS-911CSD-116	Plate		1
116-1	MBS-911CSD-116-1	Screw		1
117	MBS-911CSD-117	Right Vise Plate		1
118	MBS-911CSD-118	Miter Plate		1
118-1	MBS-911CSD-118-1	Screw		2
118-2	MBS-911CSD-118-2	Oil Head	10x1	1
118-3	MBS-911CSD-118-3	Nut		2
118-4	MBS-911CSD-118-4	Nut		1
118-5	MBS-911CSD-118-5	Screw		1
119	MBS-911CSD-119	Breaking Electric Board		1
119-1	MBS-911CSD-119-1	Cap Screw		1
120	MBS-911CSD-120	Nut		1
122	MBS-911CSD-122	Anti-Chip Cover		1
123	MBS-911CSD-123	Bushing		1
124	MBS-911CSD-124	Bearing	32006	2
125	MBS-911CSD-125	Cylinder Support		1
125A	MBS-911CSD-125A	Spring Holder		1
125B	MBS-911CSD-125B	Spring Support		1
125-1	MBS-911CSD-125-1	Cap Screw	8x25	1
125-2	MBS-911CSD-125-2	Cap Screw	10x65	1
125-3	MBS-911CSD-125-3	Washer	8x23x3	1
125-4	MBS-911CSD-125-4	Pin	6x30	2
125-5	MBS-911CSD-125-5	Nut		1
125-6	MBS-911CSD-125-6	Screw		1
126	MBS-911CSD-126	Cylinder		1
127	MBS-911CSD-127	Oil House Support Plate		1
127-1	MBS-911CSD-127-1	Screw		1
128	MBS-911CSD-128	Electric Control Support		1
128-1	MBS-911CSD-128-1	Screw		4
128-2	MBS-911CSD-128-2	Cap Screw		2
129	MBS-911CSD-129	Swivel Table		1
129-1	MBS-911CSD-129-1	Angle Stick		1
130	MBS-911CSD-130	Main Shaft		1
131	MBS-911CSD-131	Bearing	32006	1

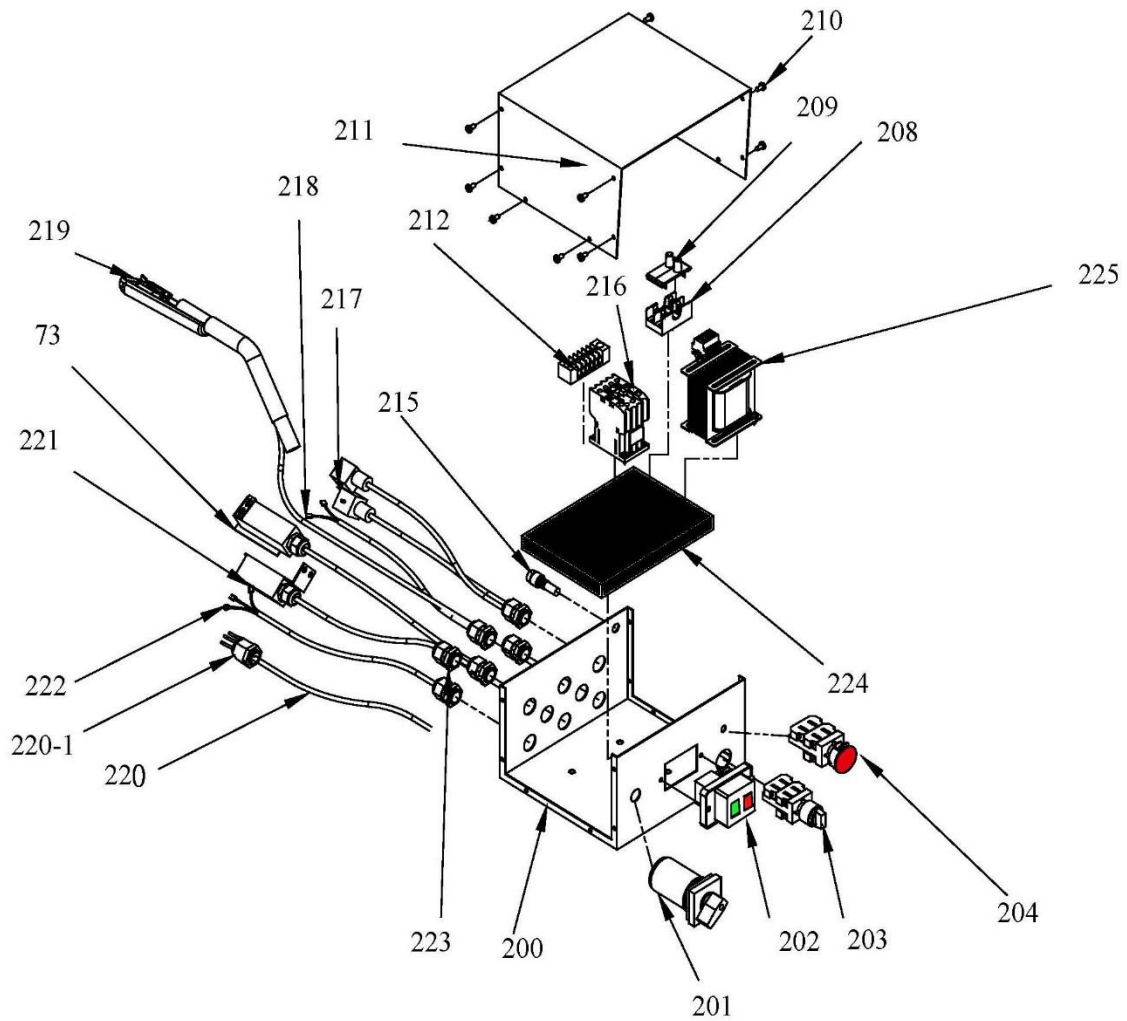
MBS-911CSD Stand breakdown



MBS-911CSD Stand Assembly

Index No.	Part No.	Description	Size	Q'ty
133	MBS-911CSD-133	Switch Cover		1
132	MBS-911CSD-132	Switch Base		1
134	MBS-911CSD-134	Pump		1
134A	MBS-911CSD-134A	Screw		4
134B	MBS-911CSD-134B	L-Copper		1
136	MBS-911CSD-136	Tank		1
137	MBS-911CSD-137	House		1
137A	MBS-911CSD-137A	Tube Bundle		1
138A	MBS-911CSD-138A	Front Door		1
138B	MBS-911CSD-138B	Back Support Plate		1
138C	MBS-911CSD-138C	Right Support Plate		1
138D	MBS-911CSD-138D	Left Support Plate		1
138E	MBS-911CSD-138E	Down Plate		1

MBS-911CSD Stand breakdown



Index No.	Part No.	Description	Size	Q'ty
	MBS-911CSD-SBS..	Switch Box Set (including 200 210)		1
201	MBS-911CSD-201	Speed Switch		1
202	MBS-911CSD-202	Main Switch		1
203	MBS-911CSD-203	3 Position Button		1
204	MBS-911CSD-204	Emergency Switch		1
208	MBS-911CSD-208	Fuse And Bridge	2A	1
209	MBS-911CSD-209	Fuse		1
210	MBS-911CSD-210	Switch Cover		1
211	MBS-911CSD-211	Screw		1
212	MBS-911CSD-212	Terminal Block		1
218,220,222	MBS-911CSD-WI	Wire For Cooling Pump And Motor		1
220-1	MBS-911CSD-220-1	Plug		1
215	MBS-911CSD-215	Fuse And Bridge	6A	1
216	MBS-911CSD-216	Contactor(Saw Motor High Speed)	24V	1
217	MBS-911CSD-217	Feed El.alve		1
217	MBS-911CSD-218	Approch EIValve		1
219	MBS-911CSD-219	Start Switch		1
223	MBS-911CSD-223	Cable Protector		1
225	MBS-911CSD-225	Transformer	230V/24V/30AV	1
73	MBS-911CSD-SS	Stop Switch		1

