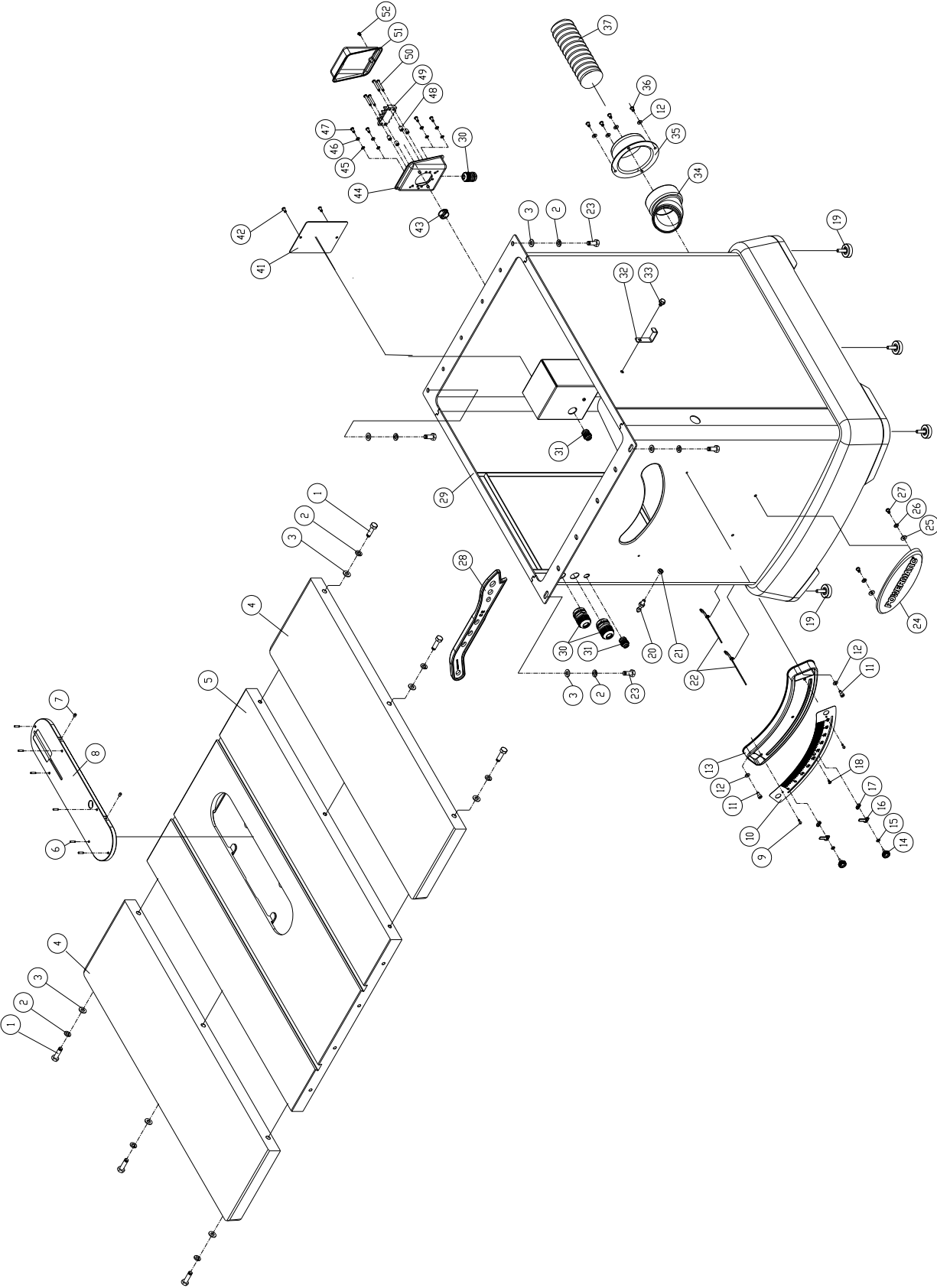


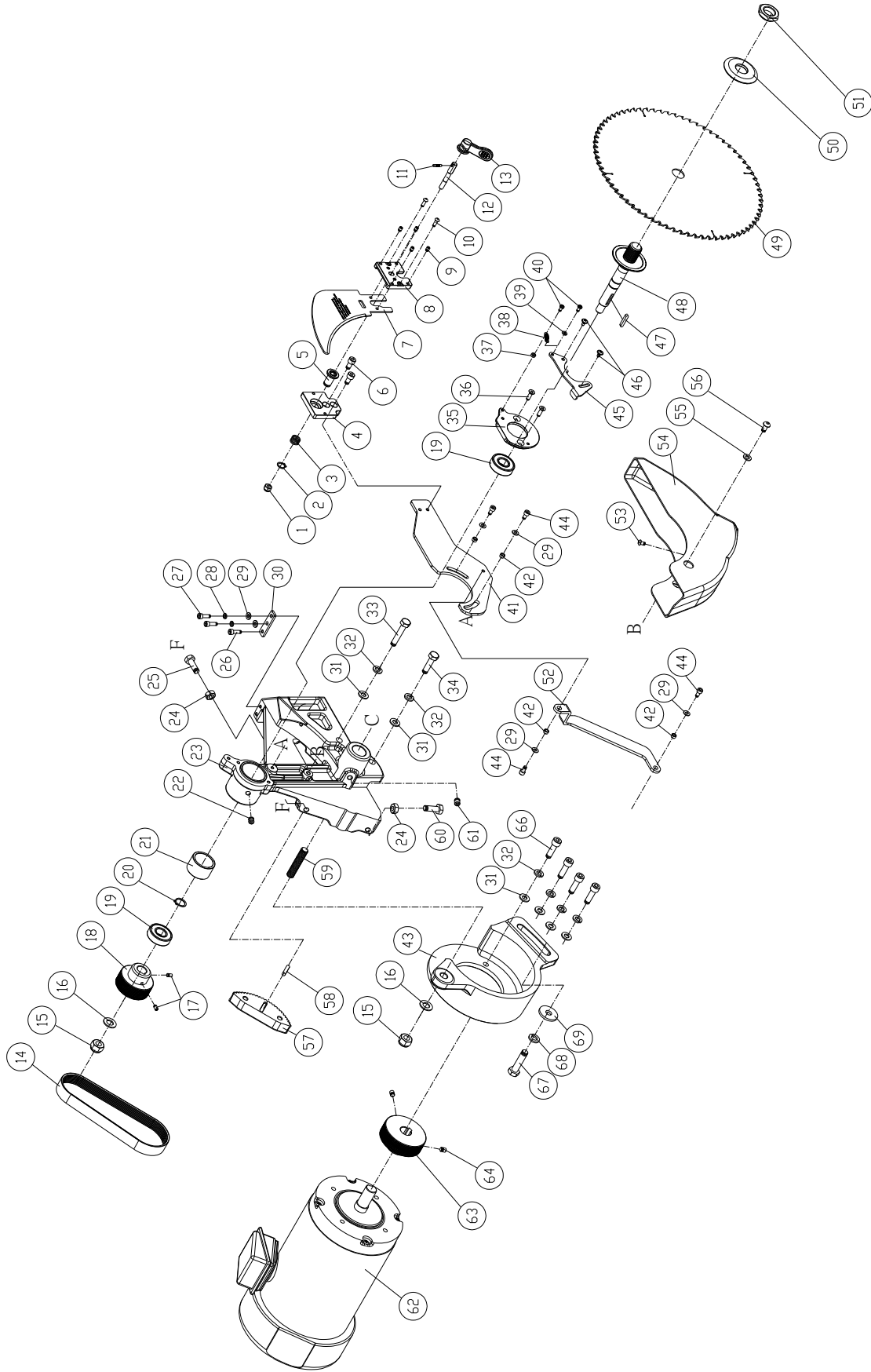
1.1.1 PM3000B Table and Cabinet Assembly – Exploded View



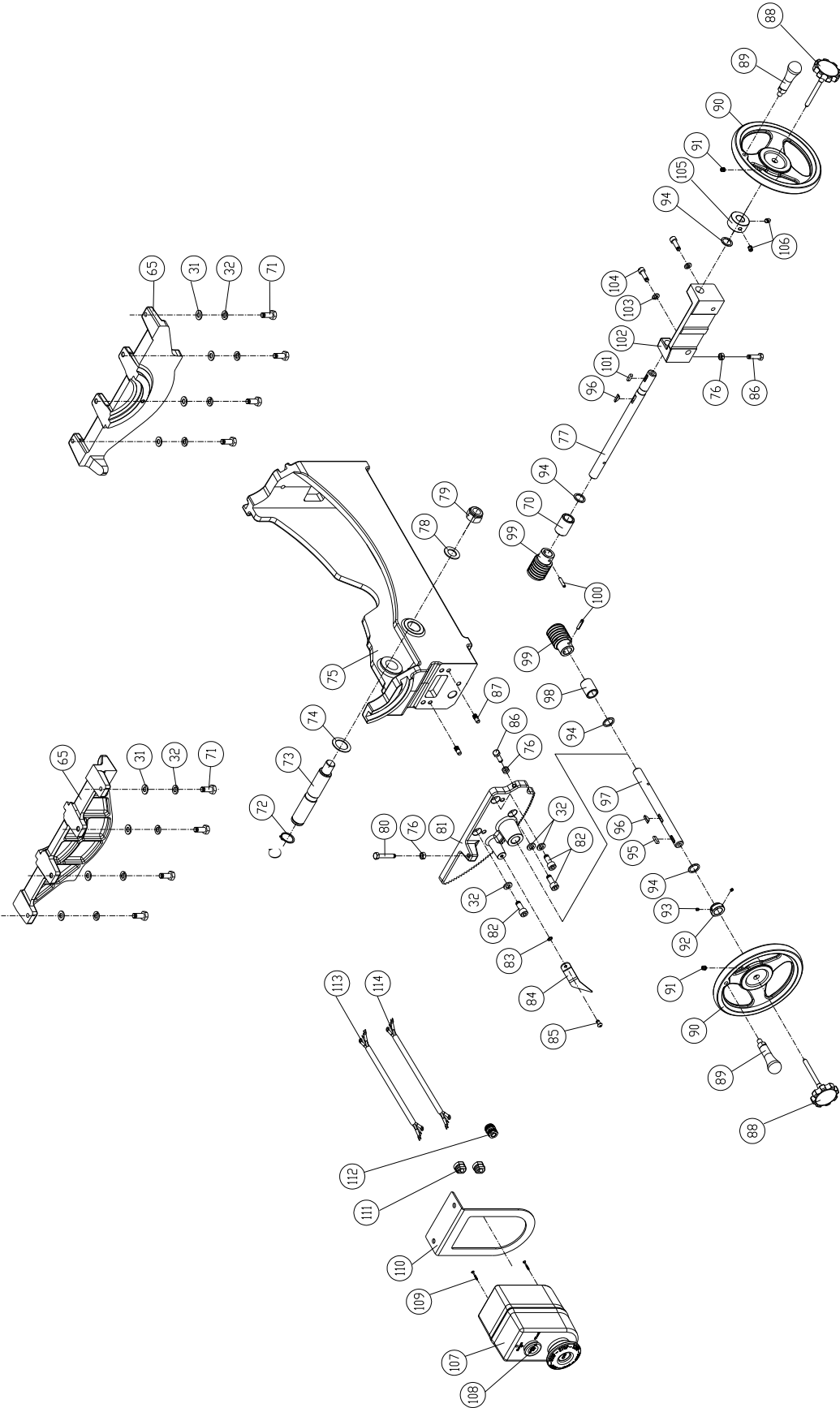
1.1.2 PM3000B Table and Cabinet Assembly – Parts List

Index No	Part No	Description	Size	Qty
1	TS-149105	Hex Cap Screw	M10-1.5 x 35L	6
2	TS-2361101	Lock Washer	M10	10
3	TS-1550071	Flat Washer	10 x 20 x 2.0T	10
4	PM3000B-104	Extension Table		2
5	PM3000B-105	Table		1
6	F010395L	Soc Set Screw CPP w/thrdlckr	M5-0.8 x 12L	6
7	PM2000B-107	Plunger		2
8	PM3000B-108	Table Insert		1
	PM3000B-108TIA	Table Insert Assembly (includes #6,7,8)		1
9	PM2000B-109	Phillips Socket HD Tapping Screw	M4-1.41P x 12L	2
10	PM2000B-110	Tilt Angle Scale		1
11	TS-1503031	Socket Head Cap Screw	M6-1.0 x 12L	2
12	TS-1550041	Flat Washer	6.2 x 13 x 1.5T	6
13	PM3000B-113	Scale Base		1
14	PM2000B-114	Angle Reference Knob		2
15	TS-1550031	Flat Washer	5.2 x 10 x 1.0T	2
16	PM2000B-116	Specific Angle Reference		2
17	PM2000B-117	Special Nut		2
18	PM2000B-118	Phillips Flat HD Tapping Screw	M4-1.41P x 10L	1
19	PM2000B-134	Leveling Foot		4
20	PM2000B-127	Peg		1
21	TS-2311081	Hex Nut	M8-1.25	1
22	PM2000B-129	Cable Tie		2
23	TS-1491031	Hex Cap Screw	M10-1.5 x 25L	4
24	PM2000B-130	Powermatic Logo		1
25	TS-1550041	Flat Washer	6.7 x 16 x 2.0T	2
26	TS-0720071	Lock Washer	1/4"	2
27	PM2000B-133	Phillips Round HD Machine Screw	1/4"-20UNC x 3/8"L	2
28	PM2000B-126	Push Stick		1
29	PM3000B-129	Cabinet		1
30	PM2000B-148A	Strain Relief	MG25A-18B	3
31	PM2000B-1123	Strain Relief	MGB16-10B	2
32	PM2000B-136	Hanger		1
33	PM2000B-137	Hex Cap Screw w/Flat Washer	M8-1.25 x 12L	1
34	PM2000B-138	Dust Chute Adaptor		1
35	PM2000B-139	Dust Port		1
36	TS-2246122	Socket Head Button Screw	M6-1.0 x 12L	4
37	PM3000B-137	Dust Hose		1
41	PM2000B-1127	Transformer Box Cover		1
42	F009884	Socket Head Button Screw	M5-0.8 x 8L	2
43	PM2000B-143	Grommet		1
44	PM2000B-144	Terminal Box		1
45	F002097	Lock Washer, Ext Tooth	M5	4
46	TS-1550031	Flat Washer	5.3 x 10 x 2.0T	4
47	TS-1533042	Phillips Pan HD Machine Screw	M5-0.8 x 12L	4
48	PM2000B-149	Spacer		4
49	PM2000B-150	Terminal Plate		1
50	F001221	Phillips Pan HD Machine Screw	M5-0.8 x 35L	4
51	PM2000B-152	Terminal Box Cover		1
52	F000648	Phillips Pan HD Machine Screw	#10-24UNC x 1/4"L	1
53	PM2000B-1129	Fuse	2A x 250V	2
	LM000304	Warning Label		1
	LM000306RU	ID Label, PM3000B (not shown)		1
	CL-HV	Caution Label - High Voltage		2
	PM2000B-1133	Black Stripe	1" W	per ft.

1.2.1 PM3000B Motor and Trunnion Assembly I – Exploded View



1.2.2 PM3000B Motor and Trunnion Assembly II – Exploded View

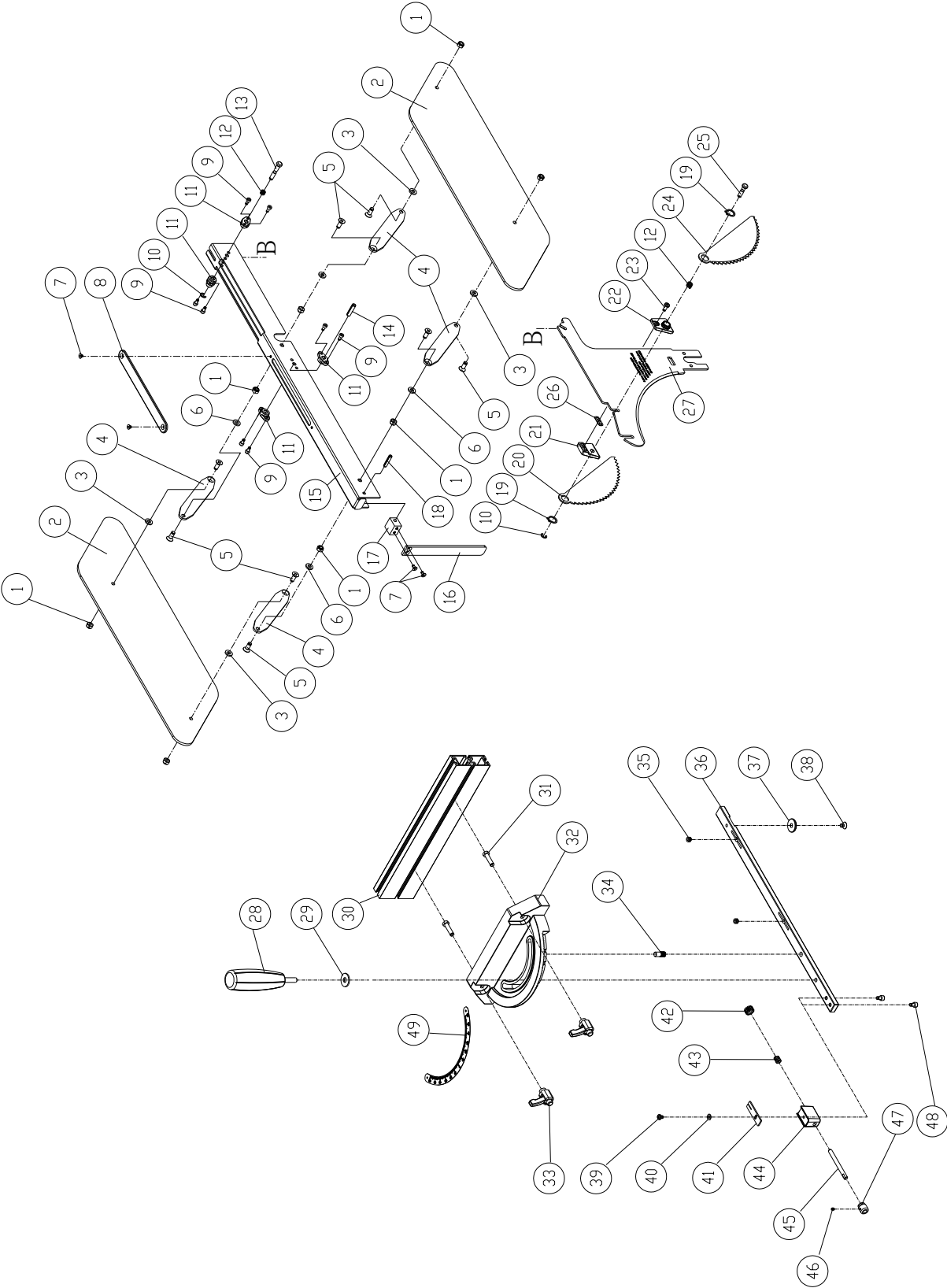


1.2.3 PM3000B Motor and Trunnion Assembly – Parts List

Index No	Part No	Description	Size	Qty
1	TS-1541031	Nylon Lock Hex Nut	M8-1.25	1
2	F006042	C-Retaining Ring, Ext	STW-14	1
3	PM2000B-203	Compression Spring		1
4	PM2000B-204	Riving Knife Fixed Base		1
5	PM2000B-205	Clamping Block		1
6	TS-1504031	Socket Head Cap Screw	M8-1.25 x 16L	2
7	PM3000B-207	Low Profile Riving Knife	0.12"(3mm) thk	1
8	PM2000B-208	Riving Knife Movable Base		1
9	TS-2276081	Socket Set Screw	M6-1.0 x 8L	4
10	TS-2245162	Socket Head Button Screw	M5-0.8 x 16L	2
11	PM2000B-211	Solid Pin		1
12	PM2000B-212	Shaft		1
13	PM2000B-213	Lever		1
14	VB-270J12	Poly-V Belt	270J-12	1
15	TS-2342141	Nylon Lock Hex Nut	M14-2.0	2
16	TS-155009	Flat Washer	14.2 x 26 x 2T	2
17	F010401L	Soc Set Scrw CPP w/thrdlckr	M6-1.0 x 8L	2
18	PM3000B-218	Arbor Pulley		1
19	BB-6204VV	Ball Bearing	6204VV	2
20	F006047	C-Retaining Ring, Ext	STW-20	1
21	PM2000B-221	Bushing		1
22	F010414L	Soc Set Screw CPP w/thrdlckr	M10-1.5 x 10L	1
23	PM3000B-223	Bearing Arm		1
24	TS-2311101	Hex Nut	M10-1.5	2
25	TS-149105	Hex Cap Screw	M10-1.5 x 35L	1
26	F005382L	Soc Hd Cap Screw w/thrdlckr	M6-1.0 x 16L	1
27	TS-1503041	Socket Head Cap Screw	M6-1.0 x 16L	2
28	TS-2361061	Lock Washer	M6	2
29	TS-1550041	Flat Washer	6.3 x 13 x 1.0T	6
30	PM3000B-230	Belt Tension Plate		1
31	TS-1550071	Flat Washer	10 x 20 x 2.0T	14
32	TS-2361101	Lock Washer	M10	17
33	JTS315PST-08	Hex Cap Screw	M10-1.5 x 55L	1
34	TS-1491061	Hex Cap Screw	M10-1.5 x 40L	1
35	PM2000B-228	Fixed Plate		1
36	TS-2286201	Phillips Flat HD Machine Screw	M6-1.0 x 20L	2
37	TS-1540031	Hex Nut	M5-0.8	1
38	PM2000B-231	Tension Spring		1
39	TS-1550031	Flat Washer	5.3 x 10 x 2.0T	1
40	F001208L	Pan HD Mach Scrw w/thrdlckr	M5-0.8 x 8L	2
41	PM3000B-241	Riving Knife Extension Plate		1
42	PM2000B-235	Bushing		4
43	PM2000B-256	Motor Rotation Bracket		1
44	F005267L	Soc Hd Cap Screw w/thrdlckr	M6-1.0 x 12L	4
45	PM2000B-238	Spindle Lock		1
46	PM2000B-239	Shoulder Screw		2
47	6291479	Flat Key, Dbl Rd Hd	5 x 5 x 30mm	1
48	PM3000B-248	Arbor		1
49	PM3000B-249	Saw Blade		1
50	PM3000B-250	Flange		1
	PM3000B-250RU	Flange (not shown)	I.D.30mm	1
51	PM3000B-251	Nut		1
52	PM3000B-252	Link		1
53	F009893L	Soc Hd Button Screw w/thrdlckr	M6-1.0 x 10L	1
54	PM3000B-254	Dust Chute		1
55	TS-1550061	Flat Washer	8.5 x 16 x 1.5T	1
56	TS-2248162	Socket Head Button Screw	M8-1.25 x 16L	1
57	PM2000B-250	Elevation Gear Block		1
58	DT45-110	Flat Key, Dbl Rd Hd	6 x 6 x 30mm	1
59	PM2000B-252	Socket Set Screw	M14-2.0P x 70L	1

Index No	Part No	Description	Size	Qty
60	TS-2210451	Hex Cap Screw	M10-1.5 x 45L	1
61	F010418L	Soc Set Screw CPP w/thrdlckr	M10-1.5 x 25L	1
62	PM3000B-262E	Motor	7.5HP 400V 50Hz 3PH	1
	PM2000B-260AF	Fan		1
	PM2000B-260AFC	Fan Cover		1
	LM000319E	Motor Label, PM3000B (7.5HP 3Ph)		1
63	PM3000B-263E	Motor Pulley (for 50Hz)	O.D.103mm	1
64	PM2000B-262	Soc Set Screw CPP w/thrdlckr	M8-1.25 x 20L	2
65	PM2000B-264	Trunnion		2
66	TS-1505051	Socket Head Cap Screw	M10-1.5 x 35L	4
67	TS-1492051	Hex Cap Screw	M12-1.75 x 50L	1
68	TS-2361121	Lock Washer	M12	1
69	PM2000B-259	Flat Washer	13 x 28 x 3.0T	1
70	PM3000B-270	Spacer		1
71	TS-1491031	Hex Cap Screw	M10-1.5x25L	8
72	F006051	C-Retaining Ring, Ext	STW-28	1
73	PM2000B-266	Shaft		1
74	PM2000B-267	Nylon Washer		1
75	PM3000B-275	Center Trunnion		1
76	TS-2311081	Hex Nut	M8-1.25	3
77	PM3000B-277	Tilt Hand Wheel Shaft		1
78	PM2000B-271	Flat Washer	21 x 38 x 3T	1
79	PM2000B-272	Nylon Lock Hex Nut	M20-1.5	1
80	TS-1490081	Hex Cap Screw	M8-1.25 x 45L	1
81	PM2000B-274	Tilt Gear Block		1
82	TS-1505031	Socket Head Cap Screw	M10-1.5 x 25L	3
83	JWBS10OS-107	Lock Washer Ext Tooth	M6	1
84	PM3000B-284	Angle Pointer		1
85	TS-2246122	Socket Head Button Screw	M6-1.0 x 12L	1
86	TS-1490051	Hex Cap Screw	M8-1.25 x 30L	2
87	PM2000B-280	Roll Pin		2
88	PM2000B-281	Locking Knob		2
89	PM2000B-282	Handle		2
90	PM2000B-283	Handwheel		2
91	F010052L	Soc Set Screw CPP w/thrdlckr	5/16"-18UNC x 5/16"	2
92	PM2000B-285	Collar		1
93	F010449L	Soct Set Screw CPP w/thrdlckr	M5-0.8 x 5L	2
94	PM2000B-287	Nylon Washer	19.1 x 25.4 x 1.6T	4
95	5509207	Flat Key, Dbl Rd Hd	5 x 5 x 20 mm	1
96	PM2000B-289	Woodruff Key		2
97	PM2000B-290	Elevation Hand Wheel Shaft		1
98	PM2000B-291	Bushing		1
99	PM2000B-292	Worm Shaft		2
100	F012076	Roll Pin	5 x 30 mm	2
101	5783961	Flat Key, Dbl Rd Hd	5 x 5 x 18 mm	1
102	PM2000B-296	Tilt Worm Shaft Base		1
103	TS-2361081	Lock Washer	M8	2
104	TS-1504061	Socket Head Cap Screw	M8-1.25 x 30L	2
105	PM2000B-2104	Collar		1
106	F010408L	Soc Set Screw CPP w/thrdlckr	M8-1.25 x 10L	2
107	PM3000B-2107E	Magnetic Switch Assembly	7.5HP 400V 50Hz 3PH	1
	PM2000B-2107RU	Overload Relay	NTH15	1
	PM3000B-2107C	Contacto	C-12D10	1
108	PM2000B-2108	Safety Key		1
109	PM2000B-2116	Phillips Pan HD Tapping Screw	M5-2.12 x 25	2
110	PM2000B-2109	Switch Plate		1
111	PM2000B-2110A	Strain Relief	SR-8R3	2
112	PM2000B-2111	Strain Relief	MGB16-10B	1
113	PM3000B-2113	Motor Cable	ST 12AWG x 4C x 1900mm	1
114	PM3000B-2114	Power Cable	ST 12AWG x 4C x 2000mm	1

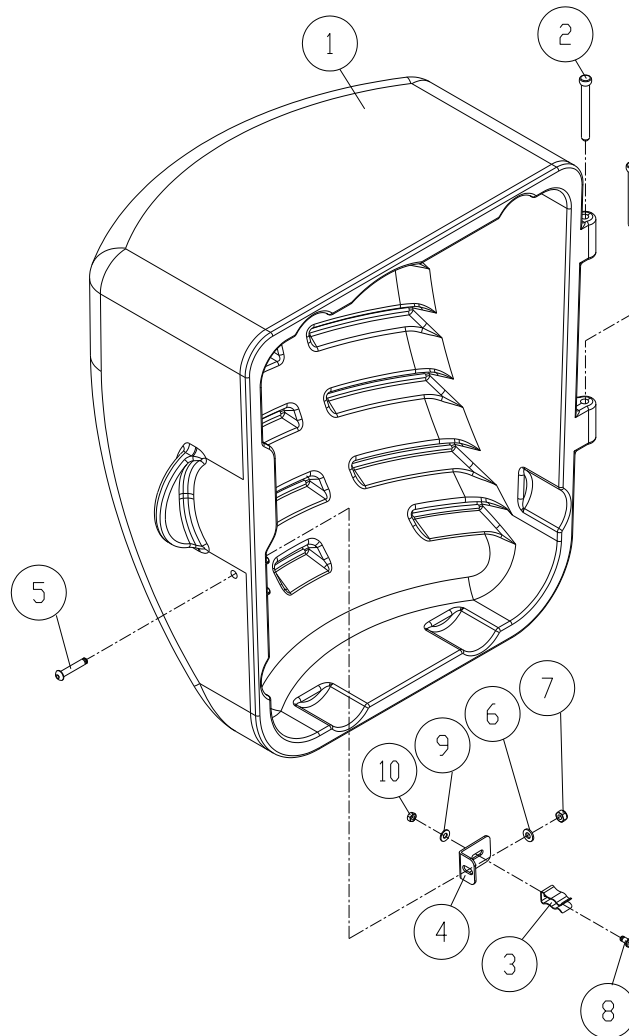
1.3.1 PM3000B Blade Guard and Miter Gauge Assemblies – Exploded View



1.3.2 PM3000B Blade Guard and Miter Gauge Assemblies – Parts List

Index No	Part No	Description	Size	Qty
	PM3000B-BGA	Blade Guard Assembly (includes #1 thru 18)		1
1	TS-1541021	Nylon Lock Hex Nut	M6-1.0	8
2	PM3000B-302	Blade Guard Side Shield		2
3	PM2000B-303	Flat Washer Thin	6.7 x 16 x 1.0T	4
4	PM3000B-304	Linkage		4
5	TS-1534051	Phillips Flat HD Machine Screw	M6-1.0 x 16L	8
6	TS-1550041	Flat Washer	6.7 x 16 x 2.0T	4
7	TS-2284081	Phillips Flat HD Machine Screw	M4-0.7 x 8L	4
8	PM2000B-308	Top Sight Shield		1
9	F005350L	Socket Head Cap Screw w/threadlocker	M4-0.7 x 8L	8
10	F006087	E-Retaining Ring	ETW-5	2
11	PM2000B-311	Lock Pin Bushing		4
12	PM2000B-312	Compression Spring		2
13	PM2000B-313	Riving Knife Lock Pin		1
14	F012098	Roll Pin	6 x 25mm	1
15	PM3000B-315	Blade Guard Body		1
16	PM3000B-316	Front Shield		1
17	PM3000B-317	Front Shield Holder		1
18	F012099	Roll Pin	5 x 26mm	1
	PM3000B-APA	Anti-Kickback Pawl Assembly (includes #10, 12, 19 thru 26)		1
19	F006042	C-Retaining Ring, Ext	STW-14	2
20	PM3000B-320	Left Anti-Kickback Pawl		1
21	PM2000B-320	Left Pawl Base		1
22	PM2000B-321	Right Pawl Base		1
23	TS-1533042	Phillips Pan HD Machine Screw	M5 x 0.8P x 12L	1
24	PM3000B-324	Right Anti-Kickback Pawl		1
25	PM2000B-324	Anti-Kickback Pawl Lock Pin		1
26	PM3000B-326	Spacer		1
27	PM3000B-327	Riving Knife	0.12" (3mm) thk	1
	PM2000B-MGA	Miter Gauge Assembly (includes #28 thru 49)		1
28	PM2000B-326	Knob		1
29	TS-1550061	Flat Washer	8.5 x 23 x 2.0T	1
30	PM2000B-328	Fence		1
31	TS-0050051	Hex Cap Screw	1/4-20UNC x 1"	2
32	PM2000B-330	Miter Gauge Body		1
33	PM2000B-331	Universal Handle		2
34	PM2000B-332	Pin		1
35	F010450	Socket Set Screw CPP	M8-1.25 x 5L	2
36	PM2000B-334	Miter Bar		1
37	PM2000B-335	Guide Washer		1
38	F001220	Phillips Flat HD Machine Screw	M6-1.0 x 8L	1
39	TS-0810012	Round HD Machine Screw	#10-24 x 1/4"L	1
40	TS-1550031	Flat Washer	5.2 x 10 x 1.0T	1
41	PM2000B-339	Pointer		1
42	PM2000B-340	Pinion		1
43	PM2000B-341	Compression Spring		1
44	PM2000B-342	Pinion Shaft Hub		1
45	PM2000B-343	Shaft		1
46	TS-1521011	Socket Set Screw	M4-0.7 x 4L	1
47	PM2000B-345	Knob		1
48	TS-1502011	Socket Head Cap Screw	M5-0.8 x 8L	2
49	PM2000B-347	Scale		1
	LM000309	Warning Label - Blade Guard		1

1.4.1 PM3000B Motor Cover Assembly – Exploded View



14.4.2 PM3000B Motor Cover Assembly – Parts List

Index No	Part No	Description	Size	Qty
	6827044B	Motor Cover Assembly (includes #1 thru 10)		1
1	PM2000B-401	Motor Cover		1
2	PM2000B-402	Hinge Pin		2
3	PM2000B-403	Spring Clamp		1
4	PM2000B-404	Clamp Holder		1
5	TS-2246302	Socket Head Button Screw	M6-1.0 x 30L	1
6	TS-1550041	Flat Washer	6.2 x 13 x 1.5T mm	1
7	TS-1541021	Nylon Lock Hex Nut	M6-1.0	1
8	TS-1533032	Phillips Pan HD Machine Screw	M5-0.8 x 10L	1
9	TS-1550031	Flat Washer	5.3 x 12 x 1.0T mm	1
10	TS-1540031	Hex Nut	M5-0.8	1

PM3000B Wiring diagram – 7.5HP, 400V, 3PH

