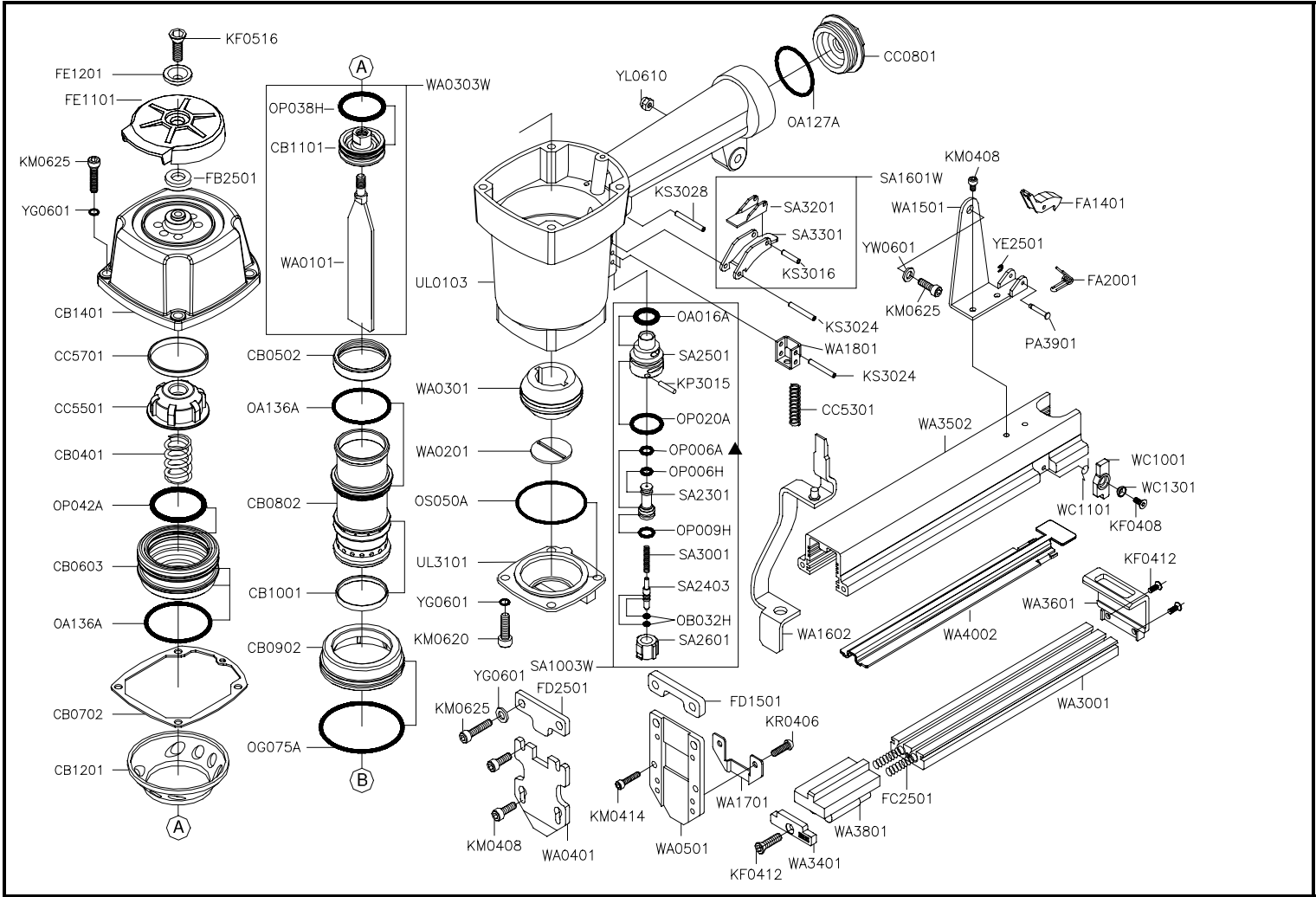


CF-15SN (WA/S2-15)

D



Part_No	Description	Spec	Q'ty	Part_No	Description	Spec	Q'ty	Part_No	Description	Spec	Q'ty
CB0401	COMPRESSION SPRING		1	KR0406	BUTTON HD.BOLT	M4×0.7 - 6L	2	WA0301	BUMPER		1
CB0502	CYLINDER RING		1	KS3016	SPRING PIN	3-16L	1	WA0303W	DRIVER ASSY.		1
CB0603	HEAD VALVE PISTON		1	KS3024	SPRING PIN	3-24L	3	WA0401	COVER PLATE(B)		1
CB0702	CAP SEAL		1	KS3028	SPRING PIN	3-28L	1	WA0501	GUIDE PLATE		1
CB0802	CYLINDER		1	OA016A	O-RING	ARP568-016	1	WA1501	SUPPORT		1
CB0902	CYLINDER RING		1	OA127A	O-RING	ARP568-127	1	WA1602	SAFETY		1
CB1001	CHECK SEAL		1	OA136A	O-RING	ARP568-136	3	WA1701	SAFETY GUIDE		1
CB1101	MAIN PISTON		1	OB032H	O-RING	2.5×1.4	2	WA1801	SAFETY GUIDE		1
CB1201	COLLAR		1	OG075A	O-RING	G75	1	WA3001	MAGAZINE SEAT		1
CB1401	CYLINDER CAP		1	OP006A	O-RING	P6	1	WA3401	FRONT PLATE		1
CC0801	END CAP		1	OP006H	O-RING	5.8×1.9	1	WA3502	MAGAZINE CAP		1
CC5301	COMPRESSION SPRING		1	OP009H	O-RING	8.8×1.9	1	WA3601	STOP PLATE		1
CC5501	PISTON STOP		1	OP020A	O-RING	P20	1	WA3801	PUSHER		1
CC5701	SPACER		1	OP038H	O-RING	37.7×3.5	1	WA4002	ADJUSTMENT RAIL		1
FA1401	LATCH		1	OP042A	O-RING	P42	1	WC1001	PUSHER STOP		1
FA2001	SPRING		1	OS050A	O-RING	S-50	1	WC1101	SPRING		1
FB2501	PISTON STOP		1	PA3901	PIN		1	WC1301	SCREW SEAT		1
FC2501	PUSHER SPRING		2	SA1003W	RESTRICTIVE TRIGGER ASSY		1	YE2501	E-RING	2.5	1
FD1501	SPACER		1	SA1601W	TRIGGER ASSY.		1	YG0601	SPRING WASHER	6	10
FD2501	COVER PLATE(A)		1	SA2301	PILOT VALVE		1	YL0610	LOCK NUT	M6×1.0	1
FE1101	EXHAUST CAP		1	SA2403	TRIGGER VALVE STEM		1	YW0601	FLAT WASHER	6	1
FE1201	EXHAUST CAP RING		1	SA2501	TRIGGER VALVE SEAT		1				
KF0408	FLAT HD.BOLT	M4×0.7 - 8L	1	SA2601	TRIGGER VALVE SEAT		1				
KF0412	FLAT HD.BOLT	M4×0.7 - 12L	3	SA3001	COMPRESSION SPRING		1				
KF0516	FLAT HD.BOLT	M5×0.8 - 16L	1	SA3201	CONTACT LEVER		1				
KM0408	HEX.SOC.HD.BOLT	M4×0.7 - 8L	6	SA3301	TRIGGER		1				
KM0414	HEX.SOC.HD.BOLT	M4×0.7 - 14L	2	UL0103	BODY		1				
KM0620	HEX.SOC.HD.BOLT	M6×1.0 - 20L	4	UL3101	SIDE PLATE(L.H.)		1				
KM0625	HEX.SOC.HD.BOLT	M6×1.0 - 25L	7	WA0101	DRIVER		1				
KP3015	PARALLEL PIN	3×15L	2	WA0201	NOZZLE		1				